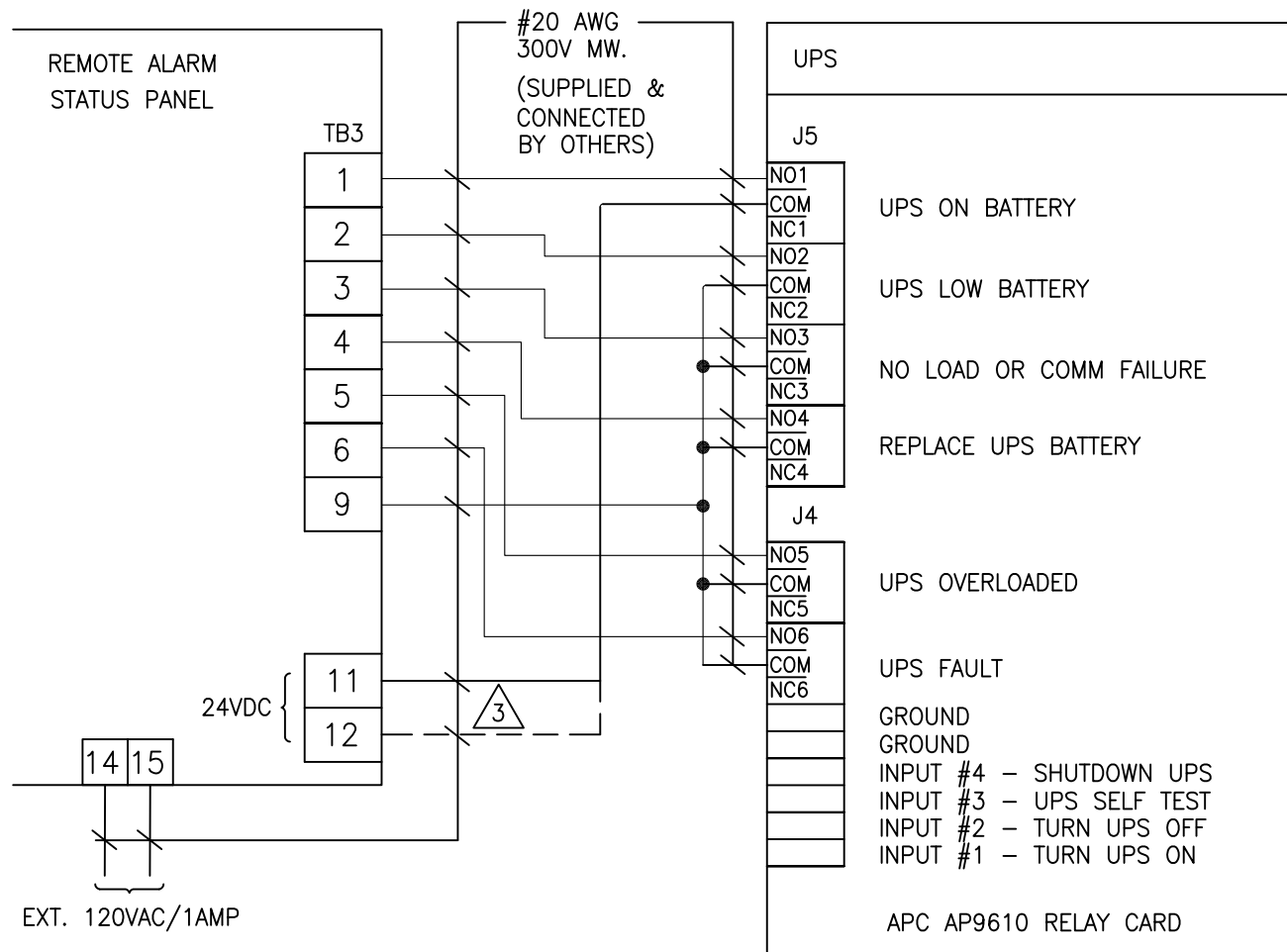


ALARM CHART			
CONFIGURATION 1	ALARM DESCRIPTION	COLOR	PART NUMBER
1	UPS ON BATTERY	YELLOW	04-11024-04
2	UPS LOW BATTERY	YELLOW	04-11024-04
3	NO LOAD OR COMM FAILURE	YELLOW	04-11024-04
4	REPLACE UPS BATTERY	RED	04-11024-02
5	UPS OVERLOADED	RED	04-11024-02
6	UPS FAULT	RED	04-11024-02
CONFIGURATION 2	ALARM DESCRIPTION	COLOR	PART NUMBER
1	UPS ON BATTERY	YELLOW	04-11024-04
2	UPS LOW BATTERY	YELLOW	04-11024-04
3	NO LOAD OR COMM FAILURE	YELLOW	04-11024-02
4	REPLACE UPS BATTERY	RED	04-11024-02
5	UPS IN BYPASS	RED	04-11024-02
6	UPS FAULT OR OVERLOAD	RED	04-11024-02
CONFIGURATION 3	ALARM DESCRIPTION	COLOR	PART NUMBER
1	UPS ON BATTERY	YELLOW	04-11024-04
2	UPS LOW BATTERY	YELLOW	04-11024-04
3	NO LOAD OR COMM FAILURE	YELLOW	04-11024-04
4	UPS COMMAND TO TURN OFF	RED	04-11024-02
5	UPS COMMAND TO TURN ON	RED	04-11024-02
6	UPS FAULT OR OVERLOAD	RED	04-11024-02

**NOTES:**

1. INSTALLATION SHALL COMPLY WITH ALL APPLICABLE LOCAL AND NATIONAL CODES.
2. PLEASE REFER TO PRODUCT MANUALS FOR ADDITIONAL DETAILS.
3. ALL DIMENSIONS ARE IN INCHES [MILLIMETERS], UNLESS OTHERWISE SPECIFIED.
4. TOTAL WEIGHT OF UNIT IS 20 LBS [9.0 KG].
5. UNLESS OTHERWISE SPECIFIED ALL DIMENSIONS ARE TO OUTSIDE EDGE OF THE CABINET, EXCLUDING DOOR LOCK, KEYS AND ALL HARDWARE.
6. COLOR: MEDIUM GRAY.
7. UNLESS OTHERWISE SPECIFIED ALL INTERCONNECTION WIRES SHALL BE SUPPLIED AND INSTALLED BY THE CUSTOMER.
8. REFERENCE ASSEMBLY NO. 76-161408-01.
9. APPLICABLE PRODUCT(S):  
GALAXY 3500, SYMMETRA LX/PX, SMART UPS RM/RT/VT

FILENAME/PATH:							
0	THIS DRAWING IS BASED ON DRAWING NUMBER PLACEHOLDER - INITIAL RELEASE	R MILLER	01-MAY-12	R MILLER	01-MAY-12	C BARBOZA	01-MAY-12
REV	DESCRIPTION	DRWN	DATE	ENGR	DATE	APPR	DATE
<b>REVISIONS</b>							
THIS DRAWING AND SPECIFICATIONS HEREIN ARE THE PROPERTY OF SCHNEIDER ELECTRIC AND SHALL NOT BE COPIED, REPRODUCED OR USED IN WHOLE OR IN PART, AS THE BASIS FOR THE MANUFACTURE OR SALE OF ITEMS WITHOUT WRITTEN PERMISSION FROM SCHNEIDER ELECTRIC. THIS DRAWING IS BASED UPON LATEST AVAILABLE INFORMATION AND IS SUBJECT TO CHANGE WITHOUT NOTICE.				TITLE: GALAXY 3500 REMOTE ALARM STATUS PANEL INSTALLATION AND OUTLINE DRAWING USING APC AP9610 DRY CONTACT CARD MECHANICAL LAYOUT DWG NO: QRMI2674 PROJECT: SUBMITTAL DRAWINGS SHEET 1 OF 4		REV: 0 DRAWN: R MILLER 01-MAY-12 ENGINEER: R MILLER 01-MAY-12 APPROVED: C BARBOZA 01-MAY-12 ANGLE PROJECTION: N.A.	



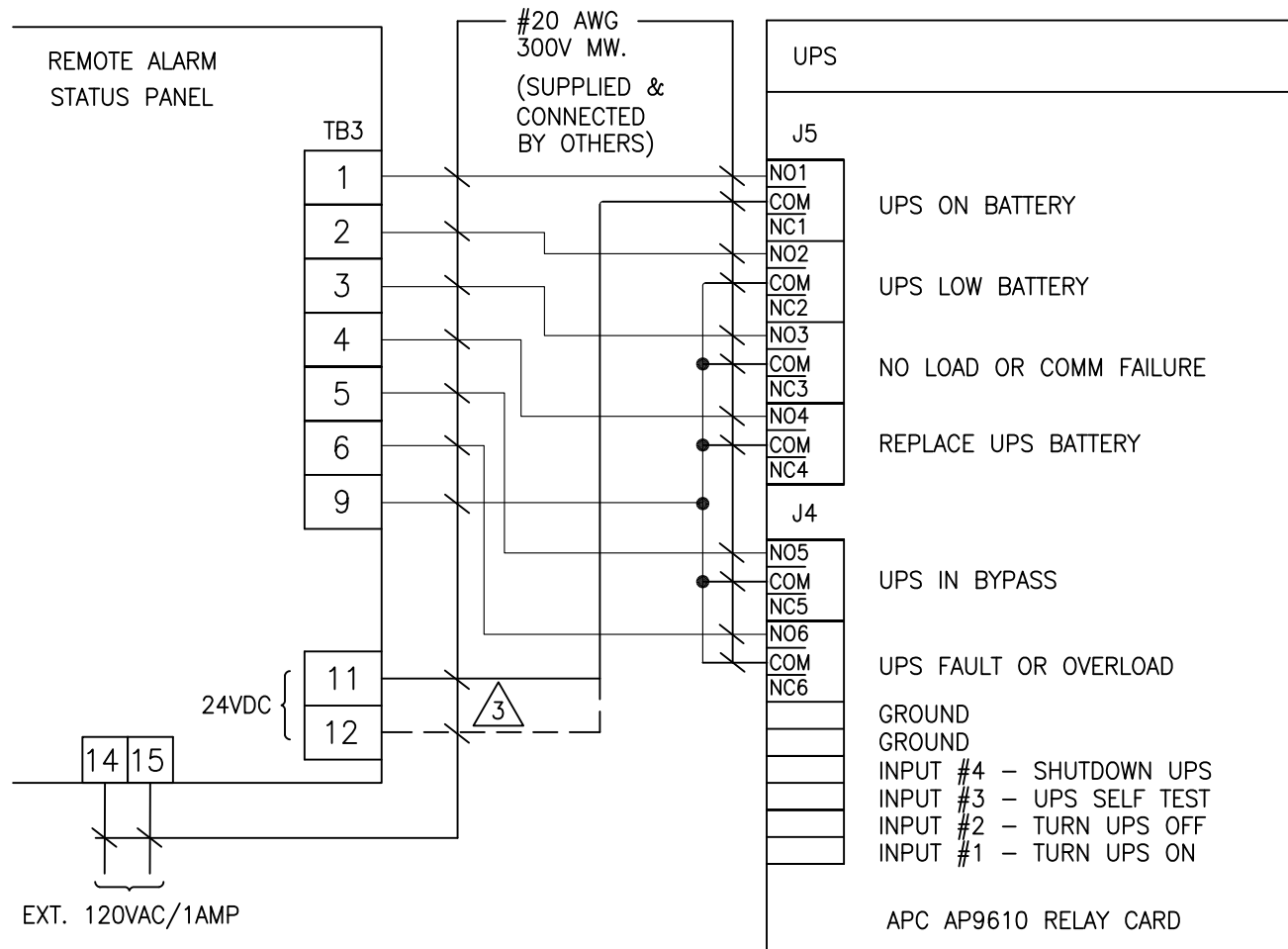
DIP SWITCHES			
DIP1	DIP2	DIP3	DIP4
OFF	OFF	OFF	OFF

INTERCONNECTION DIAGRAM – CONFIGURATION 1  
GALAXY 3500, SYMMETRA LX/PX, SMART UPS RM/RT/VT WITH AP9610 CARD

**NOTES:**

1. INSTALLATION SHALL COMPLY WITH ALL APPLICABLE NATIONAL AND LOCAL CODES.
2. PLEASE REFER TO PRODUCT MANUALS FOR ADDITIONAL DETAILS.
- △ 3. CONNECT TO EITHER TB3-11 OR TB3-12 IN RASP.
4. THIS INSTALLATION REQUIRES THAT THE UPS SHALL BE EQUIPPED WITH "SECI" PCA.
5. REFER TO THE SPECIFIC RASP INSTALLATION DRAWING FOR SINGLE UPS.

FILENAME/PATH:							
0	THIS DRAWING IS BASED ON DRAWING NUMBER PLACEHOLDER – INITIAL RELEASE	R MILLER	01-MAY-12	R MILLER	01-MAY-12	C BARBOZA	01-MAY-12
REV	DESCRIPTION	DRWN	DATE	ENGR	DATE	APPR	DATE
REVISIONS							
THIS DRAWING AND SPECIFICATIONS HEREIN ARE THE PROPERTY OF SCHNEIDER ELECTRIC AND SHALL NOT BE COPIED, REPRODUCED OR USED IN WHOLE OR IN PART, AS THE BASIS FOR THE MANUFACTURE OR SALE OF ITEMS WITHOUT WRITTEN PERMISSION FROM SCHNEIDER ELECTRIC. THIS DRAWING IS BASED UPON LATEST AVAILABLE INFORMATION AND IS SUBJECT TO CHANGE WITHOUT NOTICE.				TITLE: GALAXY 3500 REMOTE ALARM STATUS PANEL INSTALLATION AND OUTLINE DRAWING USING APC AP9610 DRY CONTACT CARD INTERCONNECTION DIAGRAM – 1 DWG NO: QRM12674 REV: 0		PROJECT: SUBMITTAL DRAWINGS SHEET 2 OF 4 DRAWN: R MILLER 01-MAY-12 ENGINEER: R MILLER 01-MAY-12 APPROVED: C BARBOZA 01-MAY-12 ANGLE PROJECTION N.A.	



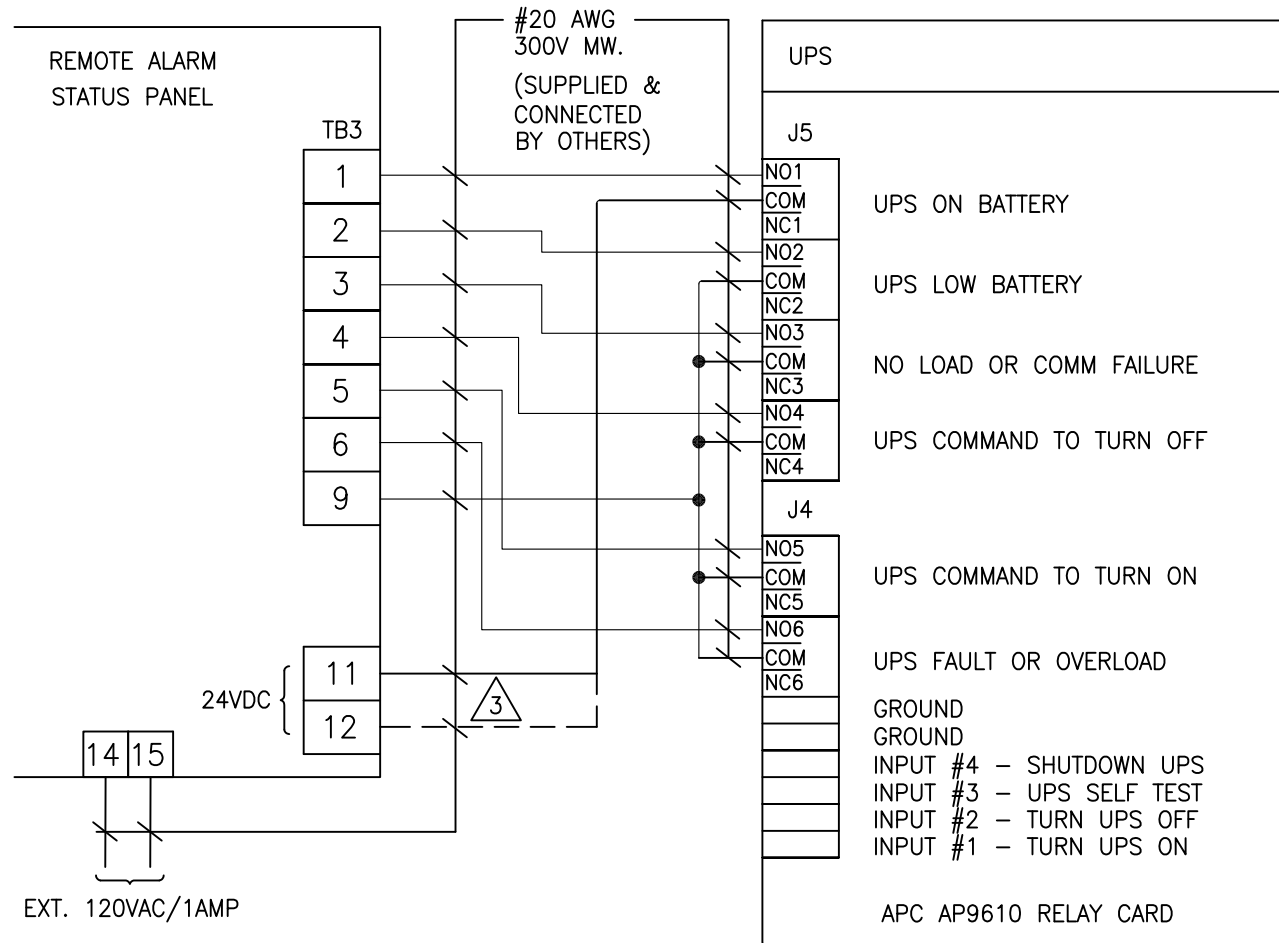
DIP SWITCHES			
DIP1	DIP2	DIP3	DIP4
ON	OFF	OFF	OFF

INTERCONNECTION DIAGRAM – CONFIGURATION 2  
GALAXY 3500, SYMMETRA LX/PX, SMART UPS RM/RT/VT WITH AP9610 CARD

**NOTES:**

1. INSTALLATION SHALL COMPLY WITH ALL APPLICABLE NATIONAL AND LOCAL CODES.
2. PLEASE REFER TO PRODUCT MANUALS FOR ADDITIONAL DETAILS.
- △ 3. CONNECT TO EITHER TB3-11 OR TB3-12 IN RASP.
4. THIS INSTALLATION REQUIRES THAT THE UPS SHALL BE EQUIPPED WITH "SECI" PCA.
5. REFER TO THE SPECIFIC RASP INSTALLATION DRAWING FOR SINGLE UPS.

FILENAME/PATH:							
0	THIS DRAWING IS BASED ON DRAWING NUMBER PLACEHOLDER – INITIAL RELEASE	R MILLER	01-MAY-12	R MILLER	01-MAY-12	C BARBOZA	01-MAY-12
REV	DESCRIPTION	DRWN	DATE	ENGR	DATE	APPR	DATE
<b>REVISIONS</b>							
THIS DRAWING AND SPECIFICATIONS HEREIN ARE THE PROPERTY OF SCHNEIDER ELECTRIC AND SHALL NOT BE COPIED, REPRODUCED OR USED IN WHOLE OR IN PART, AS THE BASIS FOR THE MANUFACTURE OR SALE OF ITEMS WITHOUT WRITTEN PERMISSION FROM SCHNEIDER ELECTRIC. THIS DRAWING IS BASED UPON LATEST AVAILABLE INFORMATION AND IS SUBJECT TO CHANGE WITHOUT NOTICE.				TITLE: GALAXY 3500 REMOTE ALARM STATUS PANEL INSTALLATION AND OUTLINE DRAWING USING APC AP9610 DRY CONTACT CARD INTERCONNECTION DIAGRAM – 2 DWG NO: QRM12674 PROJECT: SUBMITTAL DRAWINGS SHEET 3 OF 4		REV: 0 DRAWN: R MILLER 01-MAY-12 ENGINEER: R MILLER 01-MAY-12 APPROVED: C BARBOZA 01-MAY-12 ANGLE PROJECTION N.A.	



DIP SWITCHES			
DIP1	DIP2	DIP3	DIP4
OFF	ON	OFF	OFF

INTERCONNECTION DIAGRAM – CONFIGURATION 3  
GALAXY 3500, SYMMETRA LX/PX, SMART UPS RM/RT/VT WITH AP9610 CARD

**NOTES:**

1. INSTALLATION SHALL COMPLY WITH ALL APPLICABLE NATIONAL AND LOCAL CODES.
2. PLEASE REFER TO PRODUCT MANUALS FOR ADDITIONAL DETAILS.
- △ 3. CONNECT TO EITHER TB3-11 OR TB3-12 IN RASP.
4. THIS INSTALLATION REQUIRES THAT THE UPS SHALL BE EQUIPPED WITH "SECI" PCA.
5. REFER TO THE SPECIFIC RASP INSTALLATION DRAWING FOR SINGLE UPS.

FILENAME/PATH:										
0	THIS DRAWING IS BASED ON DRAWING NUMBER PLACEHOLDER – INITIAL RELEASE				R MILLER	01-MAY-12	R MILLER	01-MAY-12	C BARBOZA	01-MAY-12
REV	DESCRIPTION				DRWN	DATE	ENGR	DATE	APPR	DATE
<b>REVISIONS</b>										
THIS DRAWING AND SPECIFICATIONS HEREIN ARE THE PROPERTY OF SCHNEIDER ELECTRIC AND SHALL NOT BE COPIED, REPRODUCED OR USED IN WHOLE OR IN PART, AS THE BASIS FOR THE MANUFACTURE OR SALE OF ITEMS WITHOUT WRITTEN PERMISSION FROM SCHNEIDER ELECTRIC. THIS DRAWING IS BASED UPON LATEST AVAILABLE INFORMATION AND IS SUBJECT TO CHANGE WITHOUT NOTICE.					<b>Schneider Electric</b>		TITLE: GALAXY 3500 REMOTE ALARM STATUS PANEL INSTALLATION AND OUTLINE DRAWING USING APC AP9610 DRY CONTACT CARD INTERCONNECTION DIAGRAM – 3		DWG NO: QRM12674 REV: 0	
PROJECT: SUBMITTAL DRAWINGS					SHEET 4 OF 4		APPROVED: C BARBOZA		01-MAY-12	
								ANGLE	PROJECTION	
									N.A	