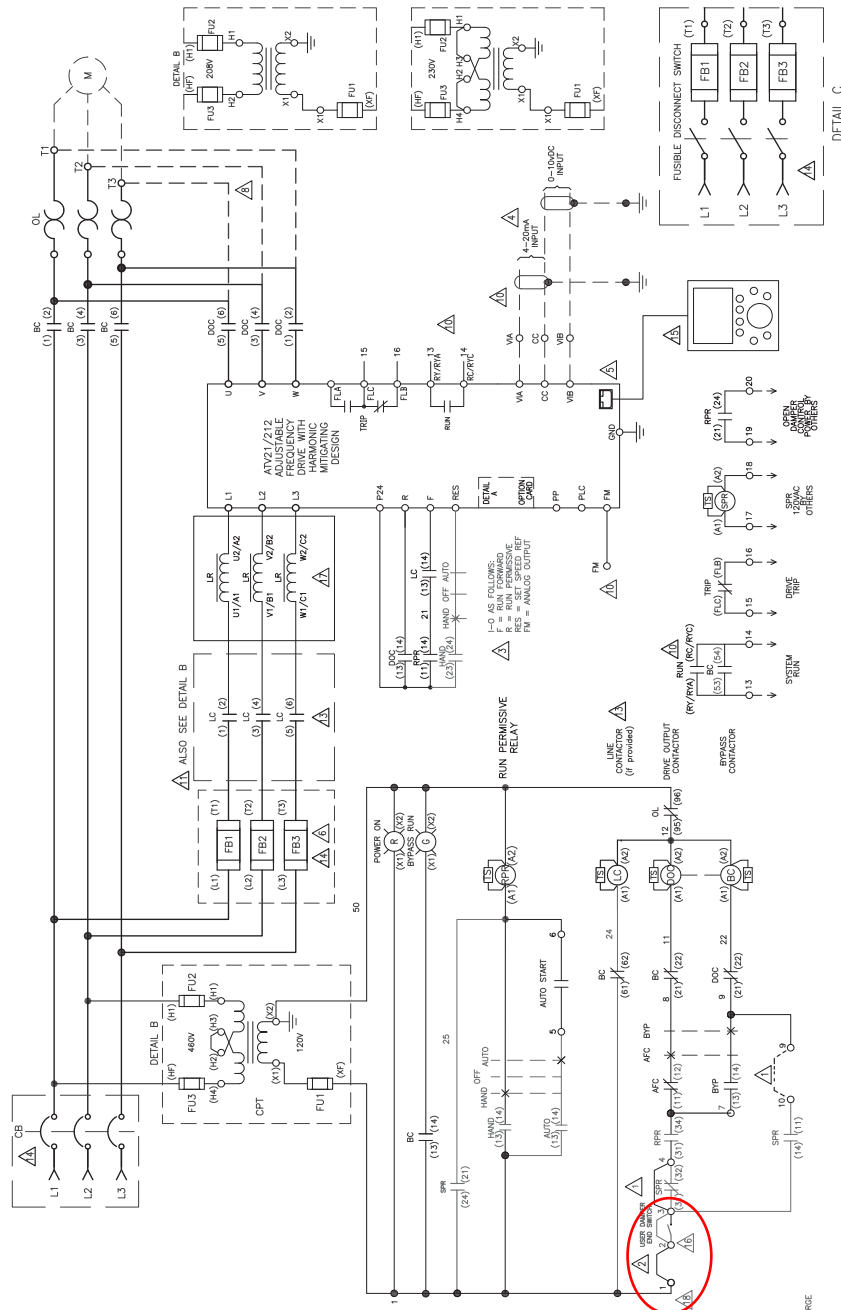


Figure 47 – Full Voltage Bypass Package, Enclosure Type 1, Power Circuit Y, Series E1



- △ DRIVE INPUT DISCONNECT SWITCH INCLUDED ONLY WHEN MOD A07 SELECTED
- △ LINE CONTACTOR INCLUDED ONLY WHEN MOD B07 SELECTED
- △ FUSEABLE DISCONNECT SWITCH USED IN PLACE OF CIRCUIT BREAKER AND FUSE BLOCKS IN 75HP AND 100HP 460V VOLT UNITS
- △ REMOTE KEYPAD AVAILABLE WITH ATV212 DRIVE ONLY, WHEN OPTION D07 IS SELECTED.
- △ REMOVE JUMPER 2-3 TO ENABLE END DAMPER CONTROL
- △ LINE REACTOR INCLUDED ONLY WHEN MOD A07 IS SELECTED
- △ SMOKE PURGE SHALL DIVERSIFY INVAIVE WIDE AND RUN THE MOTOR IN BYPASS AT FULL SPEED DAMPER SWITCH INTERLOCKS IF USED WILL BE ACTIVE.

- NOTES:
- △ REMOVE JUMPER 3-4 AND ADD JUMPER 9-10 TO ENABLE SMOKE PURGE
  - △ FREEZE/PRESTAT INTERLOCKS: REMOVE JUMPER
  - △ SEE PROGRAMMING AND OPERATION GUIDE, 30072-451-63
  - △ TO CHANGE AN INVERTER WAVEFORM, MOD C CONFIGURABLE SWITCH TO THE "V" POSITION
  - △ MODS VIA R4S CONNECTION WAVE TO ALL DRIVES
  - △ FUSES REQUIRED ON 460V MODELS ONLY, CONVERTER ENDING IN „M
  - △ VARIABLE BASED ON THE FOLLOWING:
    1. HEBBUS RFTU
    2. HEBBUS RFTS
    3. AFRIGEL P2L
    4. BAC-NET
  - △ WIRING CHANGE FOR 40HP, 200V and 100HP, 460V DRIVE
  - △ FOR WHICH MOD B08, C08, D08, OR WAVE MODS IS REQUIRED FOR CONTROL, IF COMMUNICATION CABLES ARE USED FOR MONITORING ONLY, REFER TO INSTRUCTION BULLETIN 30072-451-65
  - △ BULLETIN 30072-451-65 IS SELECTED, DRIVES RUN, STARTS AND ANALOG OUTPUT ARE NOT PROVIDED. BOTH FUNCTIONS CAN BE MONITORED VIA LOWWORKS COMMUNICATIONS.
  - △ DRIVE INPUT DISCONNECT SWITCH OPTION (MOD A07) AND LINE CONTACTOR OPTION (MOD B07) MUTUALLY EXCLUSIVE

1 To identify the series, refer to the nameplate on the enclosed drive.