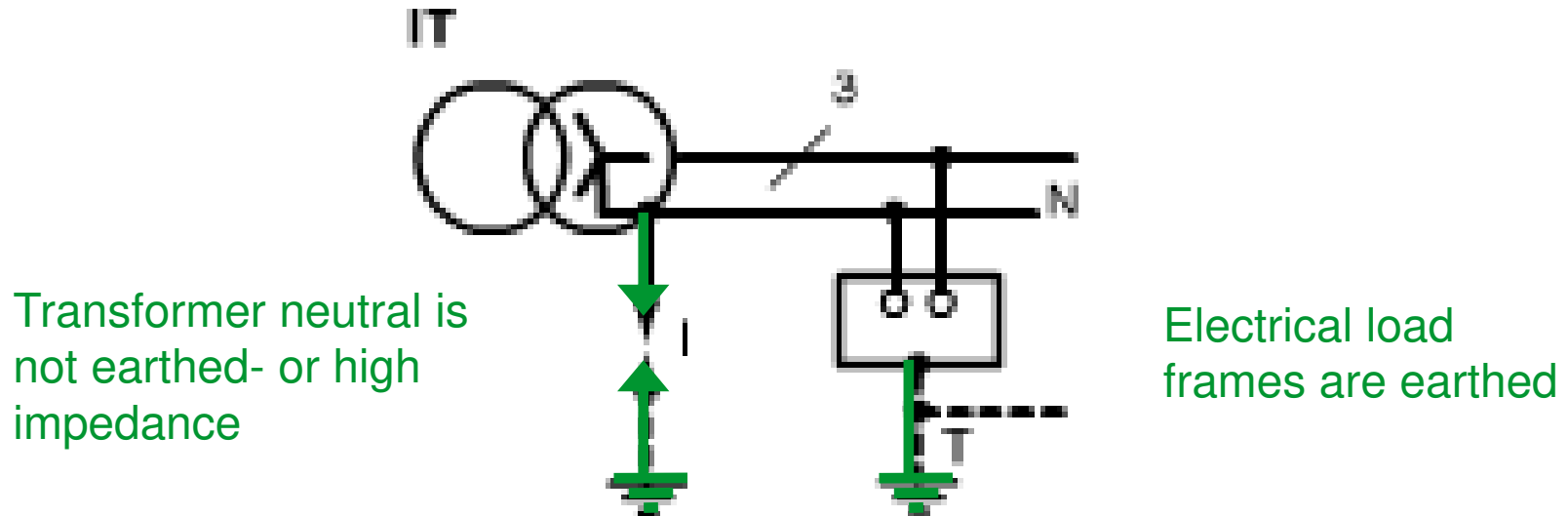
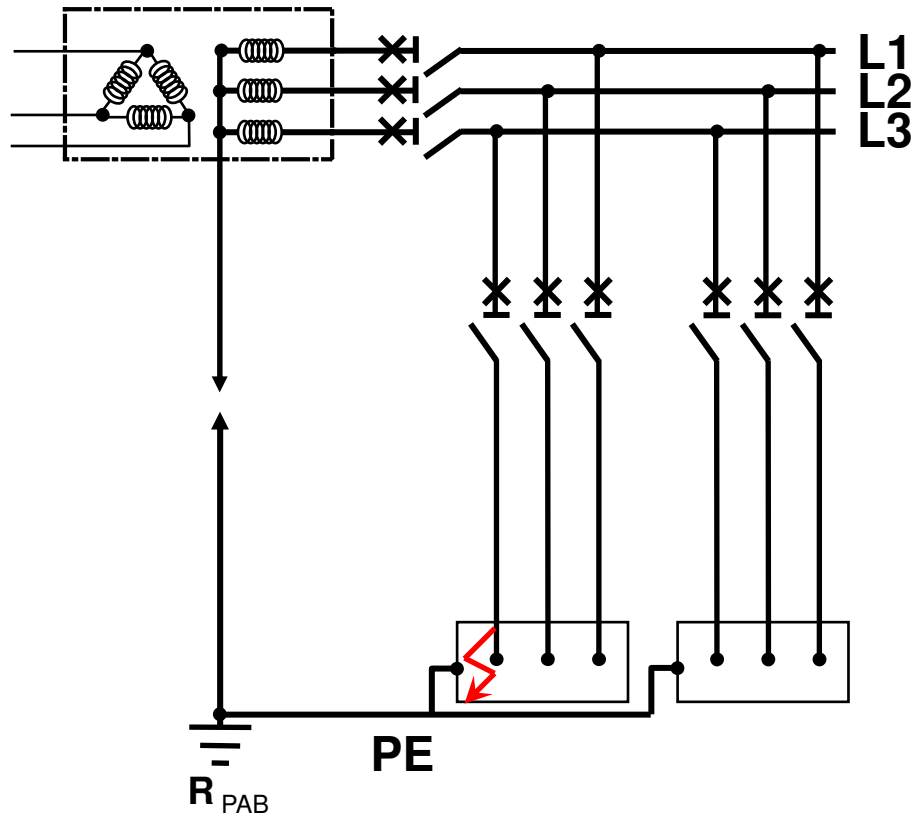


IT system



- Used for hospitals, marine, industry with high availability requirement

IT system- 1st insulation fault



- Neutral not earthed: no loop for faulty current

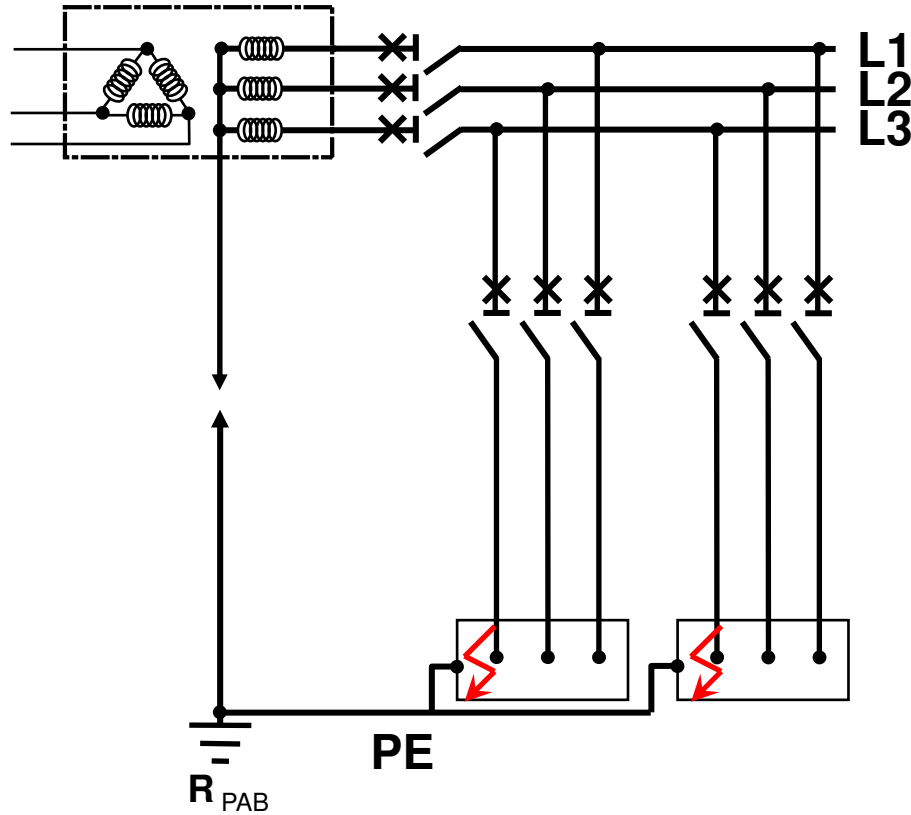
>> Very low faulty current

>> No dangerous contact voltage when touching metal parts

- No protection is tripped

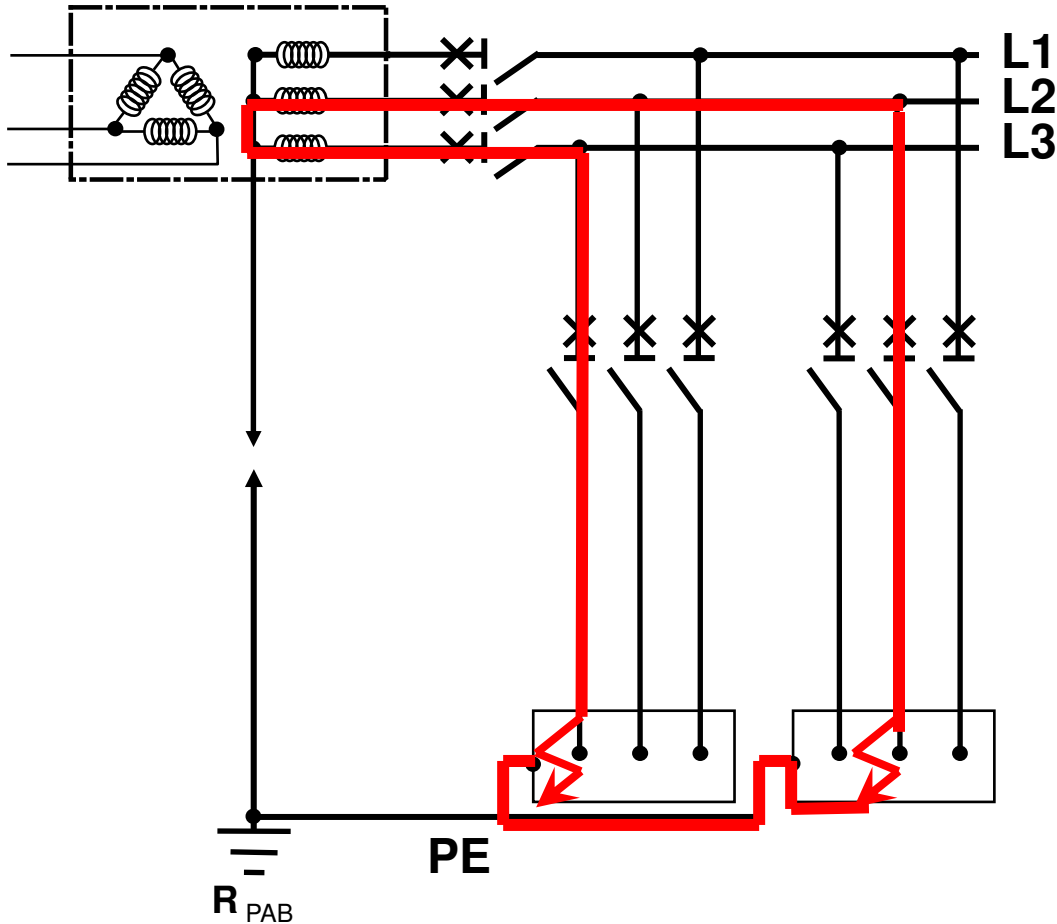
- Continuity of operation

IT system- 2nd insulation fault on same live conductor



- Still no loop for faulty current
- Operation can continue

IT system-second insulation fault on different live conductor



- Short circuit \Leftrightarrow TN
- $I_d = 230V / 0.1\Omega = 2300A$
- Tripping by overcurrent protection device