

DATASHEET

CE200

200mm Ceiling Exhaust Fan, Axial

The CE200 is a high-performing and reliable Ceiling Exhaust Fan ideal for a range of residential and commercial applications. The fan comes with a plug and lead for quick and easy installation and the slimline, low-profile and flyproof grille can be easily clipped-off for cleaning. The CE200 comes with a three-year warranty for peace of mind.



Features

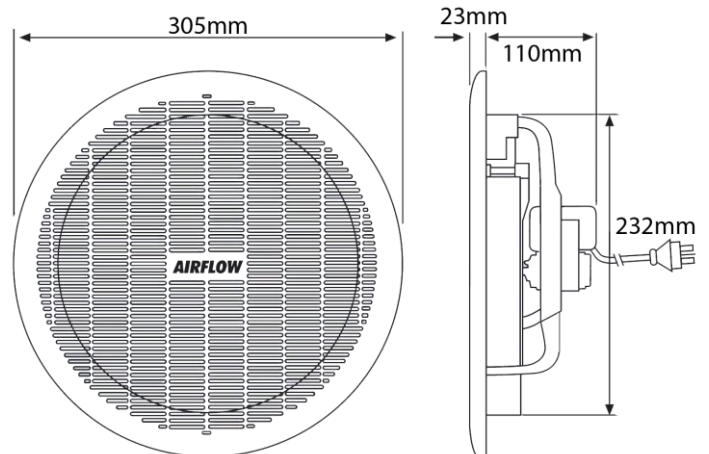
- Axial fan.
- Grille easily removed for cleaning.
- Fly-proof grille to keep out insects.
- Fitted with Plug and Lead.
- Double Insulated.

Applications

- **Residential:** Bathrooms, toilets, laundries, sheds/workshops.
- **Commercial:** Toilets, workshops, dining rooms, public spaces.

Specifications

Cubic meter per hour	260m ³ /h
Liters per second	72 l/s
Plug & lead length	800mm
Fan blades	3
Cut-out	240mm Ø
Fan diameter	200mm Ø
Number of Speeds	1
Rated voltage	240V, 50Hz
Watts	30W
Full Load Current	0.21A
Motor type	ball bearings
Decibel rating at 3m	45dBA



Schneider Electric (Australia) Pty Ltd
Contact us: Clipsal.com/feedback

National Customer Care Enquiries:
Tel 1300 2025 25 Fax 1300 2025 56
New Zealand National Customer Care Enquiries:
Tel 0800 652 999 Fax 0800 101 152

Schneider Electric (Australia) Pty Ltd reserves the right to change specifications, modify designs and discontinue items without incurring obligation and whilst every effort is made to ensure that descriptions, specifications and other information in this catalogue are correct, no warranty is given in respect thereof and the company shall not be liable for any error therein.