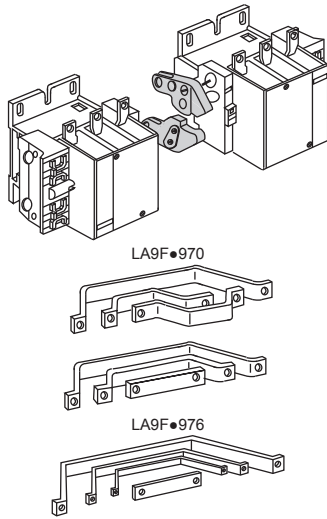


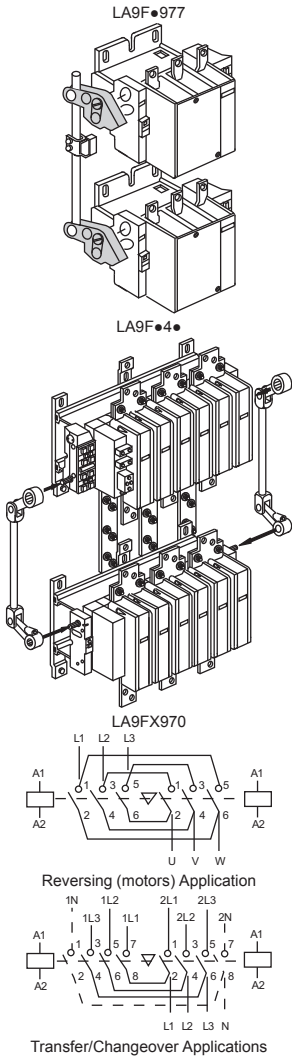
TeSys™ F Component Parts and Vertical Mounting

Table 18.65: Component Parts for the Assembly of F-Line 3-pole Reversing Contactors



With 2 Identical Contactors	Set of Power Connections Cat. No.	Mechanical Interlock Kit Cat. No.
Horizontal Mounting		
LC1F115	LA9FF976	LA9FF970
LC1F150	LA9F15076	LA9FF970
LC1F185	LA9FG976	LA9FG970
LC1F225	LA9F22576	LA9FG970
LC1F265	LA9FH976	LA9FJ970
LC1F330	LA9FJ976	LA9FJ970
LC1F400	LA9FJ976	LA9FJ970
LC1F500	LA9FK976	LA9FJ970
LC1F630 or F800	LA9FL976	LA9FL970
Vertical Mounting		
LC1F115 or F150	[25]	LA9FF4F
LC1F185 or F225	[25]	LA9FG4G
LC1F265	[25]	LA9FH4H
LC1F330	[25]	LA9FJ4J
LC1F400	[25]	LA9FJ4J
LC1F500	[25]	LA9FK4K
LC1F630 or F800	[25]	LA9FL4L
LC1F780	[26]	LA9FX970 [26]

Table 18.66: Component Parts for the Assembly of TeSys F 3-pole or 4-pole Transfer Contactors



Mounting	Set of Power Connections		Mechanical Interlock Kit Cat. No.
	Three-Pole	Four-Pole	
Horizontal Mounting			
LC1F115/4	LA9FF982	LA9FF977	LA9FF970
LC1F150/4	LA9F15082	LA9F15077	LA9FF970
LC1F185/4	LA9FG982	LA9FG977	LA9FG970
LC1F225/4	LA9F22582	LA9F22577	LA9FG970
LC1F265/4	LA9FH982	LA9FH977	LA9FJ970
LC1F330/4	LA9FJ982	LA9FJ977	LA9FJ970
LC1F400/4	LA9FJ982	LA9FJ977	LA9FJ970
LC1F500/4	LA9FK982	LA9FK977	LA9FJ970
LC1F630/4	LA9FL982	LA9FL977	LA9FL970
Vertical Mounting			
LC1F115/4 or F150/4	[25]	[25]	LA9FF4F
LC1F185/4 or F225/4	[25]	[25]	LA9FG4G
LC1F265/4	[25]	[25]	LA9FH4H
LC1F330/4	[25]	[25]	LA9FJ4J
LC1F400/4	[25]	[25]	LA9FJ4J
LC1F500/4	[25]	[25]	LA9FK4K
LC1F630/4	[25]	[25]	LA9FL4L
LC1F780	[26]	—	LA9FX970 [26]
LC1F780/4	—	[27]	LA9FX971 [27]

Table 18.67: Vertical Mounting of 2 Contactors of Different Ratings [28]

Upper Contactor	Lower Contactor [29]	Mechanical Interlock Kit Cat. No.
LC1F185/4 or F225/4	LC1F115/4 or F150/4	LA9FG4F
LC1F265/4 or F330/4	LC1F115/4 or F150/4	LA9FH4F
LC1F265/4 or F330/4	LC1F185/4 or F225/4	LA9FH4G
LC1F400/4	LC1F115/4 or F150/4	LA9FJ4F
	LC1F185/4 or F225/4	LA9FJ4G
	LC1F265/4 or F330/4	LA9FJ4H
LC1F500/4	LC1F115/4 or F150/4	LA9FK4F
	LC1F185/4 or F225/4	LA9FK4G
	LC1F265/4 or F330/4	LA9FK4H
LC1F630/4 or F800	LC1F400/4	LA9FK4J
	LC1F115/4 or F150/4	LA9FL4F
	LC1F185/4 or F225/4	LA9FL4G
	LC1F265/4 or F330/4	LA9FL4H
	LC1F400/4	LA9FL4J
	LC1F500/4	LA9FL4K

TeSys F contactors: TeSys™ F Non-Reversing Contactors, page 18-12 and TeSys™ F Reversing Contactors, page 18-13
 TeSys F contactor accessories: TeSys™ D and F Accessories, page 18-16
 TeSys F overload relay accessories: TeSys F Overload Relay Accessories, page 18-22
 TeSys F replacement coils and parts: TeSys F Contact Kits, Arc Chambers, page 18-48, TeSys F AC Coils, page 18-44, and TeSys F DC Coils, page 18-47
 TeSys F dimensions: TeSys™ F Contactors, Dimensions, page 18-53, TeSys™ F Overload Relay Dimensions, page 18-61

[25] Power connection to be assembled by the customer.
 [26] Double mechanical interlock with 2 mechanical links and 3 power connection bars.
 [27] Double mechanical interlock with 2 mechanical links and 4 power connection bars.
 [28] With identical or different numbers of poles.
 [29] Lower contactor must have equal or lesser current rating.