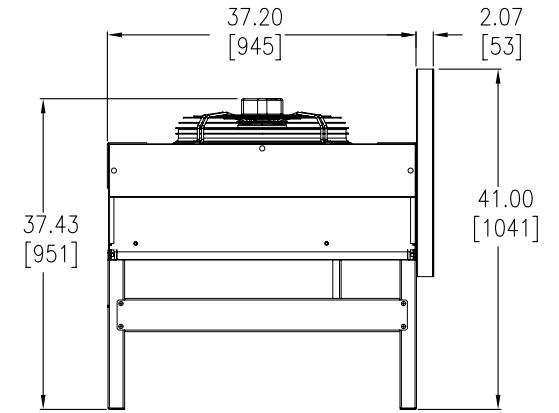
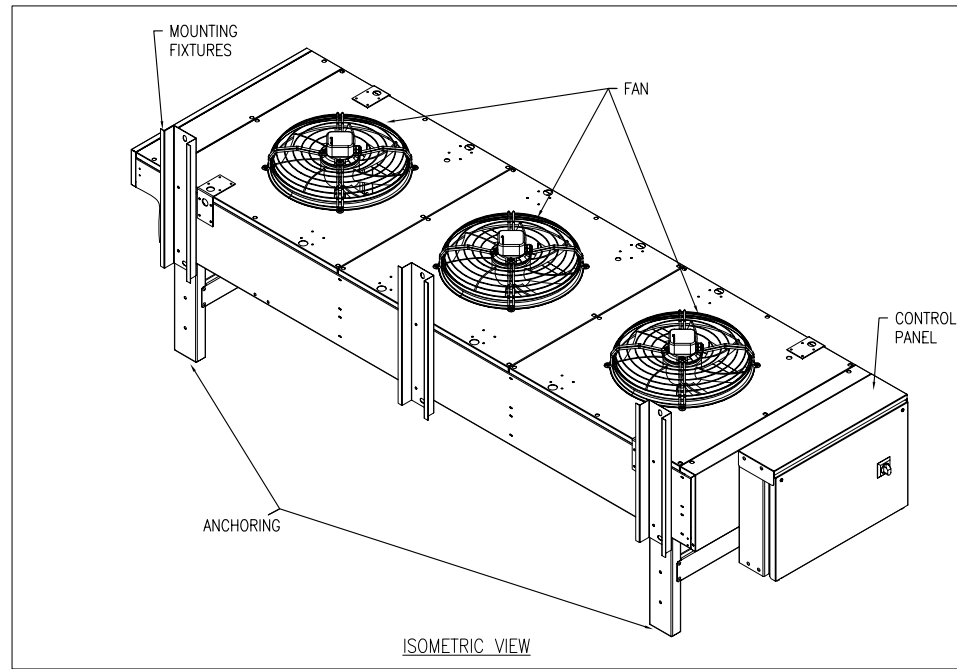


FRONT VIEW



RIGHT SIDE VIEW



ISOMETRIC VIEW

- NOTES:
1. INSTALLATION SHALL COMPLY WITH ALL APPLICABLE NATIONAL, STATE AND LOCAL CODES.
 2. PLEASE REFER TO PRODUCT MANUALS PRIOR TO INSTALLATION AND SITE PREPARATION WORK FOR FURTHER DETAILS..
 3. ALL DIMENSIONS ARE IN INCHES [MILLIMETERS].
 4. WEIGHT OF THE UNIT :

SKU#	Weight	
	lbs	kg
ACCD76056	509	231
ACCD76057	540	245

THIS DRAWING AND SPECIFICATIONS HEREIN ARE THE PROPERTY OF SCHNEIDER ELECTRIC AND SHALL NOT BE COPIED, REPRODUCED OR USED IN WHOLE OR IN PART, AS THE BASIS FOR THE MANUFACTURE OR SALE OF ITEMS WITHOUT WRITTEN PERMISSION FROM SCHNEIDER ELECTRIC. THIS DRAWING IS BASED UPON LATEST AVAILABLE INFORMATION AND IS SUBJECT TO CHANGE WITHOUT NOTICE.



TITLE: COOLING SOLUTIONS
UNIFLAI- DX, CONDENSERS
88-101kW, 208-230V, 3Ph, 60Hz
95F/120F
MAIN MECHANICAL

DWG NO: ACCD76056-57

DRAWN BY: K.NAGENDRA 25-SEP-12

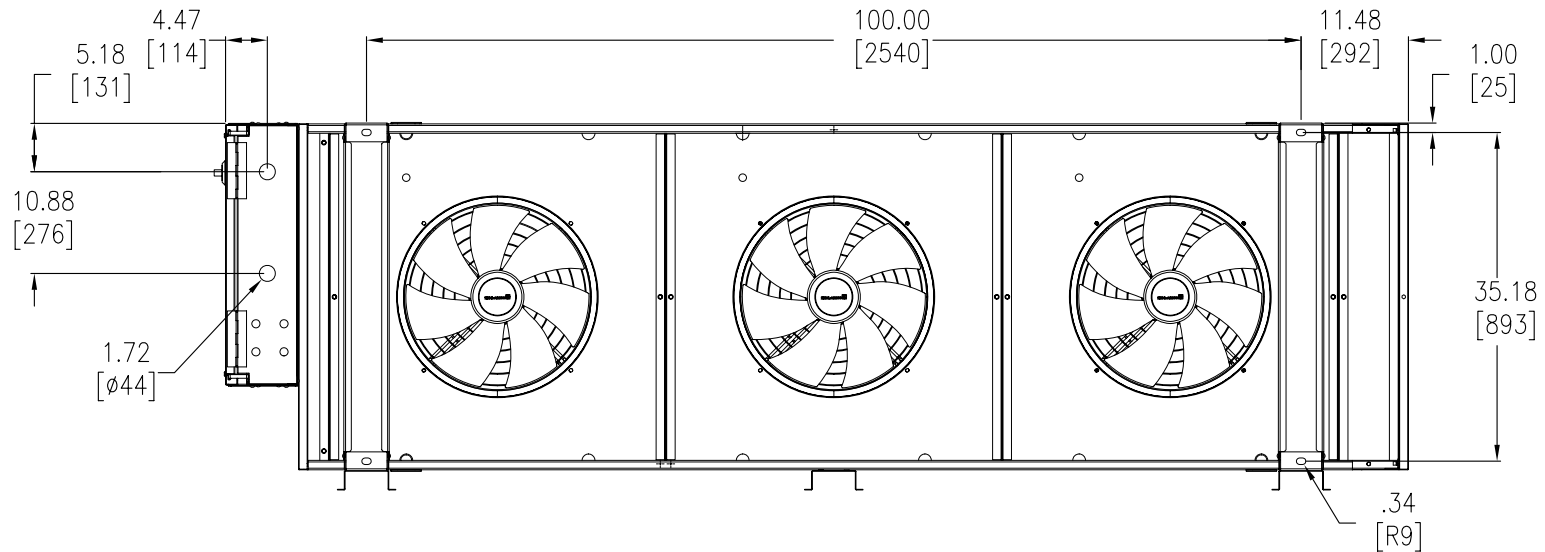
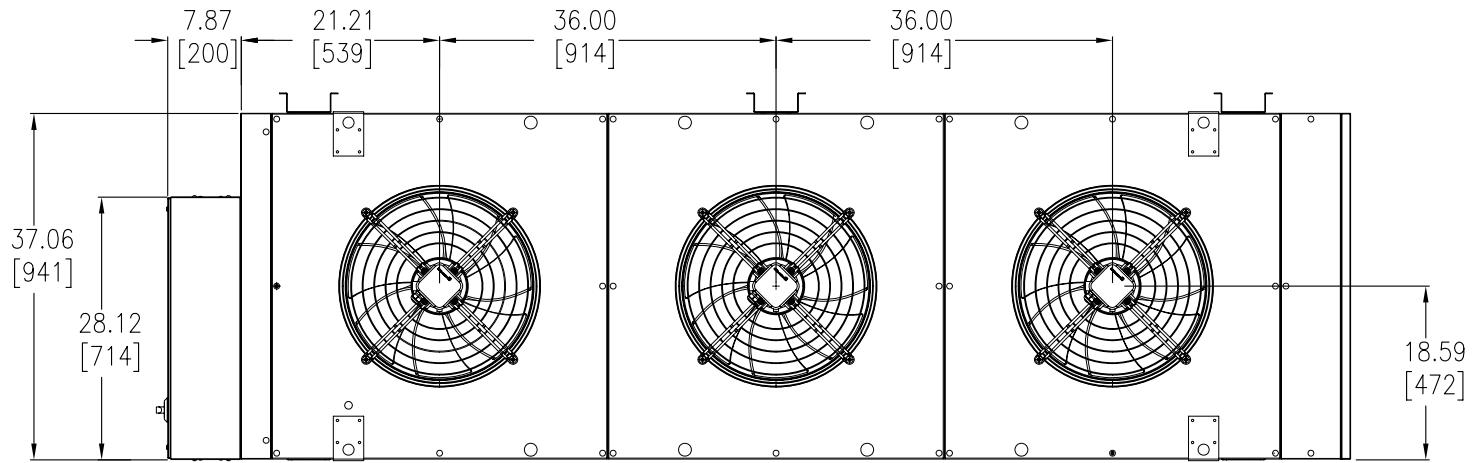
ENGINEER: K.BAER 25-SEP-12

PROJECT: DRAWINGS SHEET 1 OF 5

APPROVED BY: C.CUMMISKEY 25-SEP-12

REV. 0

THIRD ANGLE PROJECTION



NOTES:

1. INSTALLATION SHALL COMPLY WITH ALL APPLICABLE NATIONAL, STATE AND LOCAL CODES.
2. PLEASE REFER TO PRODUCT MANUALS PRIOR TO INSTALLATION AND SITE PREPARATION WORK FOR FURTHER DETAILS.
3. ALL DIMENSIONS ARE IN INCHES [MILLIMETERS].
4. SOME STRUCTURAL DETAILS HAVE BEEN OMITTED FOR THE PURPOSE OF CLARITY.

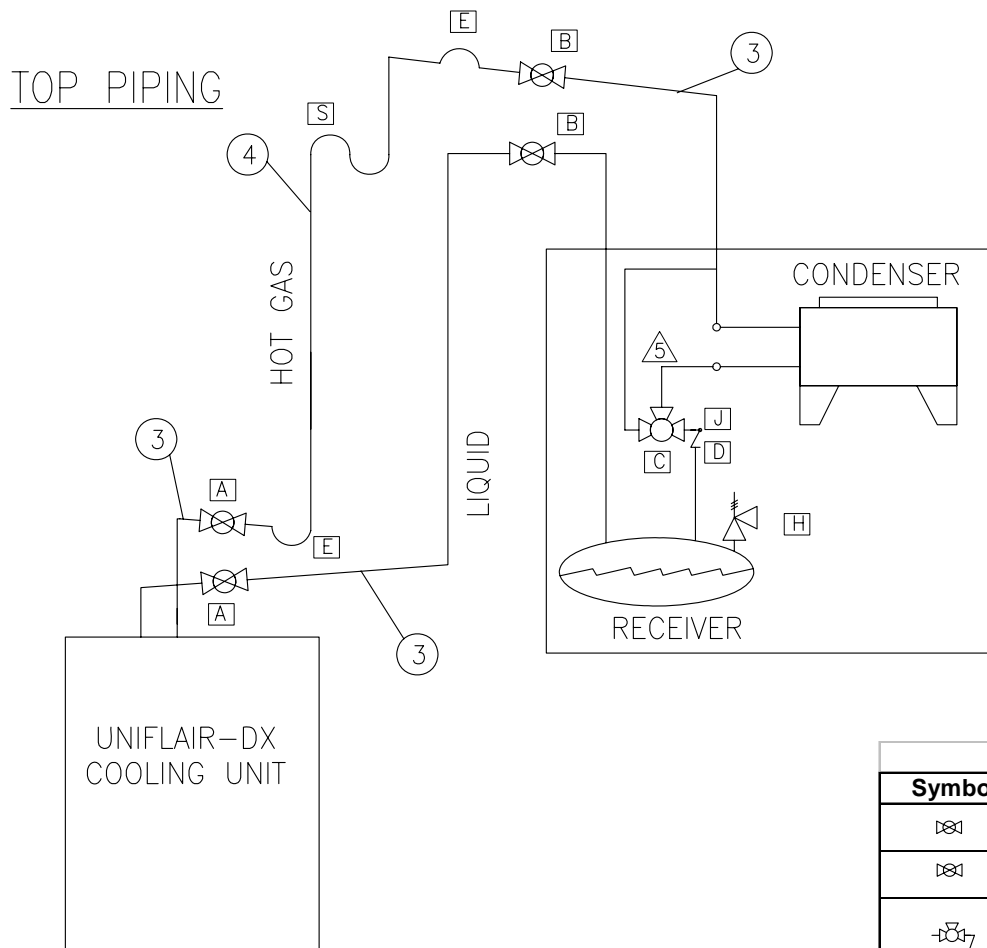
THIS DRAWING AND SPECIFICATIONS HEREIN ARE THE PROPERTY OF SCHNEIDER ELECTRIC AND SHALL NOT BE COPIED, REPRODUCED OR USED IN WHOLE OR IN PART, AS THE BASIS FOR THE MANUFACTURE OR SALE OF ITEMS WITHOUT WRITTEN PERMISSION FROM SCHNEIDER ELECTRIC. THIS DRAWING IS BASED UPON LATEST AVAILABLE INFORMATION AND IS SUBJECT TO CHANGE WITHOUT NOTICE.



TITLE: COOLING SOLUTIONS
UNIFLAI-R-DX, CONDENSERS
88-101kW, 208-230V, 3Ph, 60Hz
95F/120F
TOP AND BOTTOM VIEW (ANCHORING)

DWG NO: ACCD76056-57
DRAWN BY: K.NAGENDRA 25-SEP-12
ENGINEER: K.BAER 25-SEP-12
APPROVED BY: C.CUMMISKEY 25-SEP-12

REV: 0
THIRD ANGLE PROJECTION



FITTINGS AND FIXTURES			
Symbol	Item No.	Item	Provided By
	A	SHUTOFF VALVE	CONTRACTOR
	B	SHUTOFF VALVE	CONTRACTOR
	C&D	HEAD PRESSURE CONTROL VALVE WITH CHECK VALVE	SCHNEIDER ELECTRIC
	E	P-TRAP	CONTRACTOR
	F	S-TRAP	CONTRACTOR
	G	INVERTED TRAP	CONTRACTOR
	H	PRESSURE RELIEF VALVE	SCHNEIDER ELECTRIC
	J	SHRADER VALVE	CONTRACTOR

- NOTES:**
1. INSTALLATION SHALL COMPLY WITH ALL APPLICABLE NATIONAL, STATE AND LOCAL CODES.
 2. PLEASE REFER TO PRODUCT MANUALS PRIOR TO INSTALLATION AND SITE PREPARATION WORK FOR FURTHER DETAILS.
 3. PITCH IN DIRECTION OF REFRIGERANT FLOW
1/2" PER 10'-0" (4mm PER 1m)
 4. REDUCTION OF PIPING DIAMETER FOR VERTICAL RUN (IF NECESSARY)
 5. CHECK VALVE PROVIDED BY SCHNEIDER ELECTRIC AS A PART OF HEAD PRESSURE CONTROL VALVE ASSEMBLY. SHOWN IN DIAGRAM TO INSURE PROPER ORIENTATION

THIS DRAWING AND SPECIFICATIONS HEREIN ARE THE PROPERTY OF SCHNEIDER ELECTRIC AND SHALL NOT BE COPIED, REPRODUCED OR USED IN WHOLE OR IN PART, AS THE BASIS FOR THE MANUFACTURE OR SALE OF ITEMS WITHOUT WRITTEN PERMISSION FROM SCHNEIDER ELECTRIC. THIS DRAWING IS BASED UPON LATEST AVAILABLE INFORMATION AND IS SUBJECT TO CHANGE WITHOUT NOTICE.

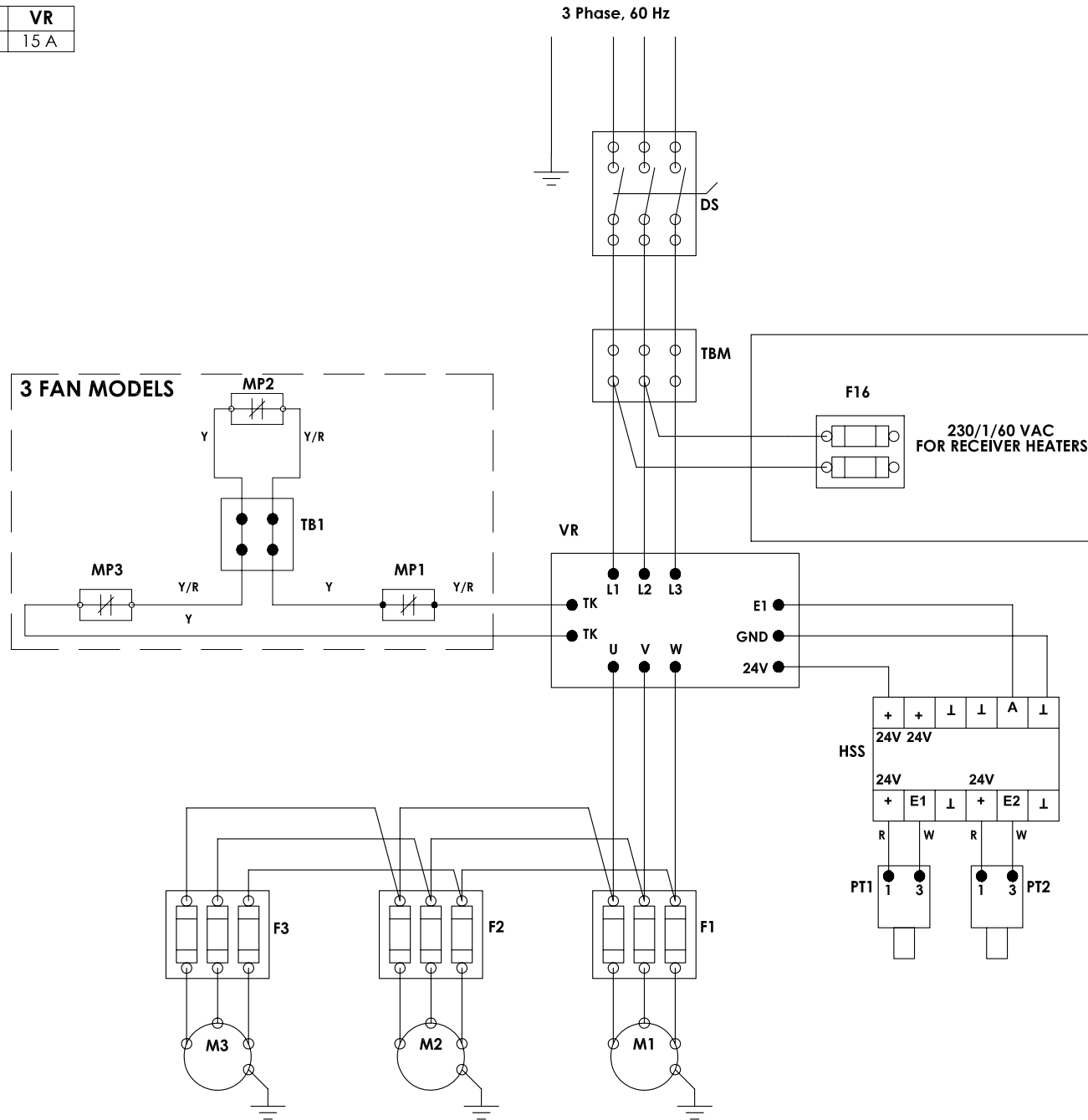


TITLE: COOLING SOLUTIONS
UNIFLAIR-DX, CONDENSERS
88-101kW, 208-230V, 3Ph, 60Hz
95F/120F
PIPING DIAGRAM-SCHMATIC

DWG NO: ACCD76056-57
DRAWN BY: K.NAGENDRA 25-SEP-12
ENGINEER: K.BAER 25-SEP-12
APPROVED BY: C.CUMMISKEY 25-SEP-12

REV: 0
THIRD ANGLE PROJECTION

VOLTAGE	F1/F2/F3	F15	F16	VR
230/3/60	8 A	---	2.5 A	15 A



Fan Motor Identification

M3 M2 M1 Header End

M	Fan Motor
F	Fuse
TB	Terminal Block
MP	Motor Protector
DS	Disconnect Switch
VR	Voltage Regulator
PT	Pressure Transducer
HSS	High Signal Selector

THIS DRAWING AND SPECIFICATIONS HEREIN ARE THE PROPERTY OF SCHNEIDER ELECTRIC AND SHALL NOT BE COPIED, REPRODUCED OR USED IN WHOLE OR IN PART, AS THE BASIS FOR THE MANUFACTURE OR SALE OF ITEMS WITHOUT WRITTEN PERMISSION FROM SCHNEIDER ELECTRIC. THIS DRAWING IS BASED UPON LATEST AVAILABLE INFORMATION AND IS SUBJECT TO CHANGE WITHOUT NOTICE.

Schneider Electric

TITLE: COOLING SOLUTIONS
UNIFLAI-R-DX, CONDENSERS
88-101kW, 208-230V, 3Ph, 60Hz
95F/120F
WIRING DIAGRAM

PROJECT: DRAWINGS SHEET 4 OF 5

DWG NO: ACCD76056-57

DRAWN BY: K.NAGENDRA 25-SEP-12

ENGINEER: K.BAER 25-SEP-12

APPROVED BY: C.CUMMISKEY 25-SEP-12

REV: 0

THIRD ANGLE

PROJECTION

SKU#	Voltage/Ph/Frequency	Condenser Summer Charge	Additional Flooding Charge for Different Minimum Ambient				
			40F	20F	0F	-20F	-40F
ACCD76056	208-230/3/60	13.3	8.1	8.1	9.4	9.5	10.5
ACCD76057	208-230/3/60	11.3	10.8	10.8	12.5	12.7	14.0

SKU#	Voltage/Ph/Frequency	FLA	MCA	MOP	SCCR
ACCD76056	208-230/3/60	9.9	12.0	15	10kA
ACCD76057	208-230/3/60	9.9	12.0	15	10kA

SKU#	Air Flow		Fans	Circuits
	CFM	L/s	Qty	Qty.
ACCD76056	16621	7844	3	2
ACCD76057	15995	7549	3	2

Flooded Receiver SKU #	Flooded Receiver Qty.	Refrigerant Capacity (R-410a) lbs (kg)	Receiver Connection (in)		Diameter in.	Length in.
			In	Out		
ACAC76132	2	27.2 (12.3)	1-3/8	7/8	6	38

SKU#	Connections (Sweat)	
	Hot Gas	Liquid
ACCD76056	2 x 1-1/8	2 x 7/8
ACCD76057	2 x 1-1/8	2 x 7/8

THIS DRAWING AND SPECIFICATIONS HEREIN ARE THE PROPERTY OF SCHNEIDER ELECTRIC AND SHALL NOT BE COPIED, REPRODUCED OR USED IN WHOLE OR IN PART, AS THE BASIS FOR THE MANUFACTURE OR SALE OF ITEMS WITHOUT WRITTEN PERMISSION FROM SCHNEIDER ELECTRIC. THIS DRAWING IS BASED UPON LATEST AVAILABLE INFORMATION AND IS SUBJECT TO CHANGE WITHOUT NOTICE.



TITLE: COOLING SOLUTIONS
UNIFLAI-R-DX, CONDENSERS
88-101kW, 208-230V, 3Ph, 60Hz
95F/120F
TECHNICAL DATA

DWG NO: ACCD76056-57
DRAWN BY: K.NAGENDRA 31-AUG-12
ENGINEER: K.BAER 31-AUG-12
APPROVED BY: C.CUMMSKEY 31-AUG-12

REV: 0
THIRD ANGLE PROJECTION