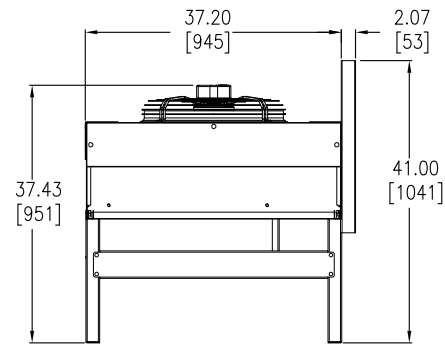
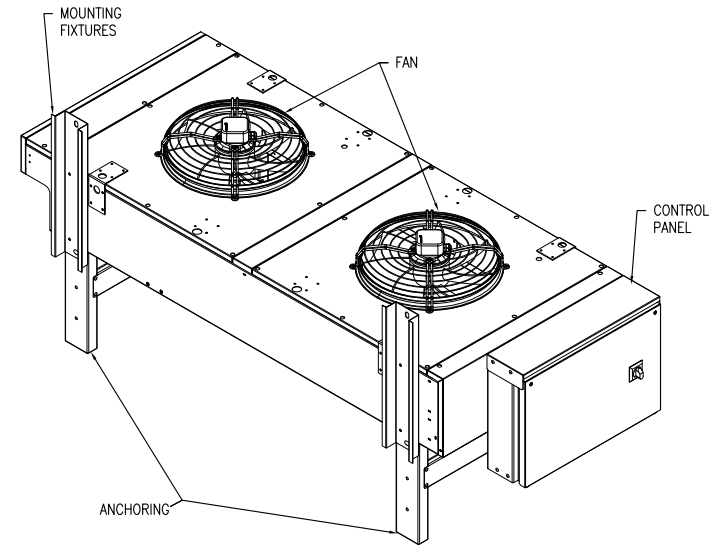


FRONT VIEW



RIGHT SIDE VIEW



ISOMETRIC VIEW

NOTES:

1. INSTALLATION SHALL COMPLY WITH ALL APPLICABLE NATIONAL, STATE AND LOCAL CODES.
2. REFER TO PRODUCT MANUALS PRIOR TO INSTALLATION AND SITE PREPARATION WORK FOR FURTHER DETAILS..
3. ALL DIMENSIONS ARE IN INCHES [MILLIMETERS].
4. WEIGHT OF THE UNIT :

SKU#	Weight	
	lbs	kg
ACCD76065	392	178
ACCD76066	390	177

THIS DRAWING AND SPECIFICATIONS HEREIN ARE THE PROPERTY OF SCHNEIDER ELECTRIC AND SHALL NOT BE COPIED, REPRODUCED OR USED IN WHOLE OR IN PART, AS THE BASIS FOR THE MANUFACTURE OR SALE OF ITEMS WITHOUT WRITTEN PERMISSION FROM SCHNEIDER ELECTRIC. THIS DRAWING IS BASED UPON LATEST AVAILABLE INFORMATION AND IS SUBJECT TO CHANGE WITHOUT NOTICE.



TITLE: COOLING SOLUTIONS  
UNIFLAI-R-DX, CONDENSERS  
60-65kW, 460-480V, 3Ph, 60Hz  
95F/120F  
MAIN MECHANICAL

PROJECT: DRAWINGS SHEET 1 OF 5

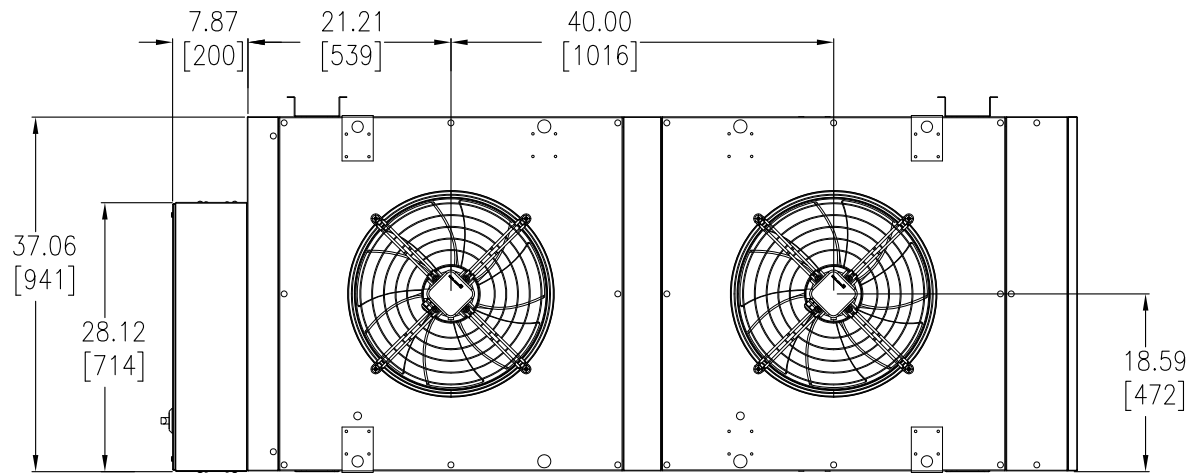
DWG NO: ACCD76065-66

DRAWN BY: K.NAGENDRA 25-SEP-12  
ENGINEER: K.BAER 25-SEP-12

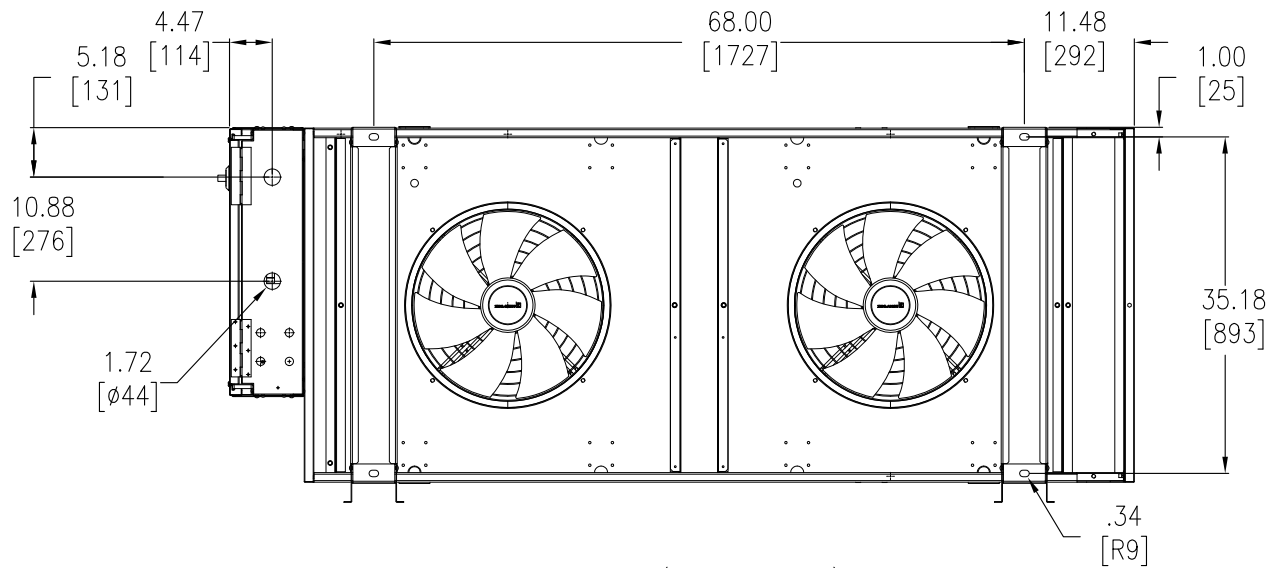
APPROVED BY: C.CUMMISKEY 25-SEP-12

REV. 0

THIRD ANGLE PROJECTION



TOP VIEW



BOTTOM VIEW (ANCHORING)

NOTES:

1. INSTALLATION SHALL COMPLY WITH ALL APPLICABLE NATIONAL, STATE AND LOCAL CODES.
2. REFER TO PRODUCT MANUALS PRIOR TO INSTALLATION AND SITE PREPARATION WORK FOR FURTHER DETAILS.
3. ALL DIMENSIONS ARE IN INCHES [MILLIMETERS].
4. SOME STRUCTURAL DETAILS HAVE BEEN OMITTED FOR THE PURPOSE OF CLARITY.

THIS DRAWING AND SPECIFICATIONS HEREIN ARE THE PROPERTY OF SCHNEIDER ELECTRIC AND SHALL NOT BE COPIED, REPRODUCED OR USED IN WHOLE OR IN PART, AS THE BASIS FOR THE MANUFACTURE OR SALE OF ITEMS WITHOUT WRITTEN PERMISSION FROM SCHNEIDER ELECTRIC. THIS DRAWING IS BASED UPON LATEST AVAILABLE INFORMATION AND IS SUBJECT TO CHANGE WITHOUT NOTICE.



TITLE: COOLING SOLUTIONS  
UNIFLAI-R-DX, CONDENSERS  
60-65kW, 460-480V, 3Ph, 60Hz  
95F/120F  
TOP AND BOTTOM VIEW (ANCHORING)

PROJECT: DRAWINGS SHEET 2 OF 5

DWG NO: ACCD76065-66

DRAWN BY: K.NAGENDRA 25-SEP-12

ENGINEER: K.BAER 25-SEP-12

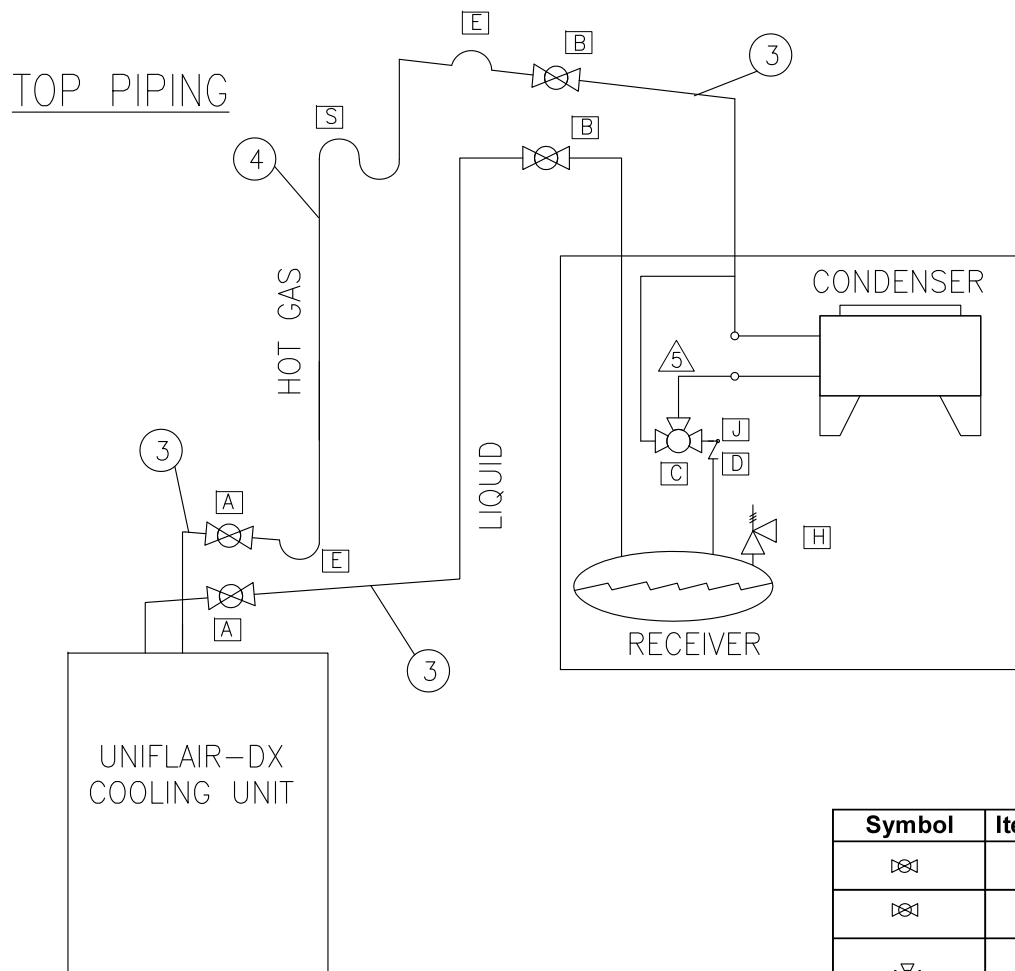
APPROVED BY: C.CUMMISKEY 25-SEP-12

REV. 0

THIRD

ANGLE

PROJECTION



### FITTINGS AND FIXTURES

Symbol	Item No.	Item	Provided By
	A	SHUTOFF VALVE	CONTRACTOR
	B	SHUTOFF VALVE	CONTRACTOR
	C&D	HEAD PRESSURE CONTROL VALVE WITH CHECK VALVE	SCHNEIDER ELECTRIC
	E	P-TRAP	CONTRACTOR
	F	S-TRAP	CONTRACTOR
	G	INVERTED TRAP	CONTRACTOR
	H	PRESSURE RELIEF VALVE	SCHNEIDER ELECTRIC
	J	SHRADER VALVE	CONTRACTOR

### NOTES:

1. INSTALLATION SHALL COMPLY WITH ALL APPLICABLE NATIONAL, STATE AND LOCAL CODES.
2. REFER TO PRODUCT MANUALS PRIOR TO INSTALLATION AND SITE PREPARATION WORK FOR FURTHER DETAILS.
3. PITCH IN DIRECTION OF REFRIGERANT FLOW  
1/2" PER 10'-0" (4mm PER 1m)
4. REDUCTION OF PIPING DIAMETER FOR VERTICAL RUN (IF NECESSARY)
5. CHECK VALVE PROVIDED BY SCHNEIDER ELECTRIC AS A PART OF HEAD PRESSURE CONTROL VALVE ASSEMBLY. SHOWN IN DIAGRAM TO INSURE PROPER ORIENTATION

THIS DRAWING AND SPECIFICATIONS HEREIN ARE THE PROPERTY OF SCHNEIDER ELECTRIC AND SHALL NOT BE COPIED, REPRODUCED OR USED IN WHOLE OR IN PART, AS THE BASIS FOR THE MANUFACTURE OR SALE OF ITEMS WITHOUT WRITTEN PERMISSION FROM SCHNEIDER ELECTRIC. THIS DRAWING IS BASED UPON LATEST AVAILABLE INFORMATION AND IS SUBJECT TO CHANGE WITHOUT NOTICE.

**Schneider**  
Electric

TITLE: COOLING SOLUTIONS  
UNIFLAIR-DX, CONDENSERS  
60-65kW, 460-480V, 3Ph, 60Hz  
95F/120F  
PIPING DIAGRAM-SCHMATIC

PROJECT: DRAWINGS SHEET 3 OF 5

DWG NO: ACCD76065-66

DRAWN BY: K.NAGENDRA 25-SEP-12

ENGINEER: K.BAER 25-SEP-12

APPROVED BY: C.CUMMISKEY 25-SEP-12

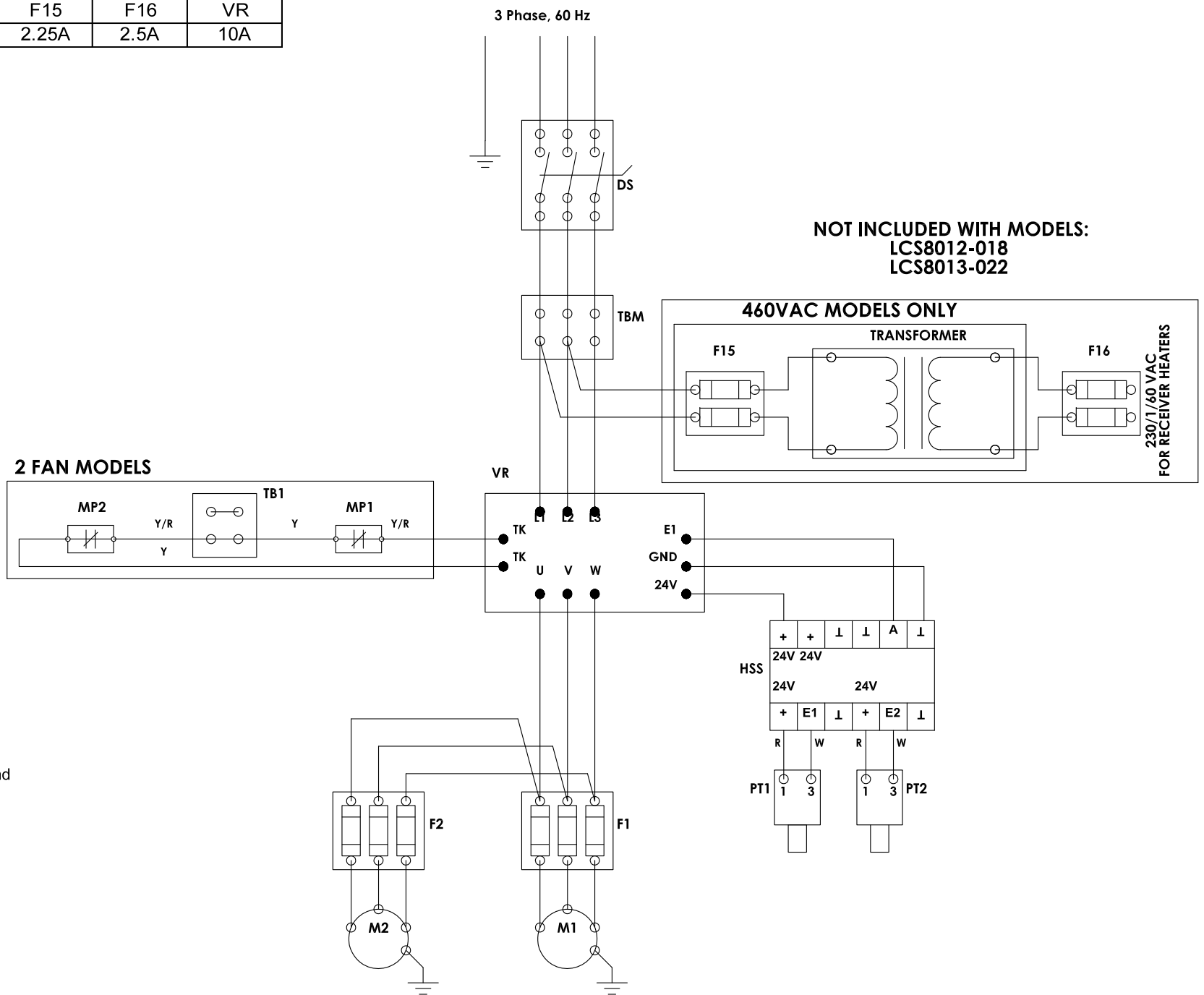
REV. 0

THIRD

ANGLE

PROJECTION

VOLTAGE	F1/F2/F3	F15	F16	VR
460/3/60	4.5A	2.25A	2.5A	10A



Fan Motor Identification

M2 M1 Header End

M	Fan Motor
F	Fuse
TB	Terminal Block
MP	Motor Protector
DS	Disconnect Switch
VR	Voltage Regulator
PT	Pressure Transducer
HSS	High Signal Selector

THIS DRAWING AND SPECIFICATIONS HEREIN ARE THE PROPERTY OF SCHNEIDER ELECTRIC AND SHALL NOT BE COPIED, REPRODUCED OR USED IN WHOLE OR IN PART, AS THE BASIS FOR THE MANUFACTURE OR SALE OF ITEMS WITHOUT WRITTEN PERMISSION FROM SCHNEIDER ELECTRIC. THIS DRAWING IS BASED UPON LATEST AVAILABLE INFORMATION AND IS SUBJECT TO CHANGE WITHOUT NOTICE.



TITLE: COOLING SOLUTIONS  
UNIFLAI-R-DX, CONDENSERS  
60-65kW, 460-480V, 3Ph, 60Hz  
95F/120F  
WIRING DIAGRAM

PROJECT: DRAWINGS SHEET 4 OF 5

DWG NO: ACCD76065-66

DRAWN BY: K.NAGENDRA 25-SEP-12

ENGINEER: K.BAER 25-SEP-12

APPROVED BY: C.CUMMISKEY 25-SEP-12

REV. 0

THIRD

ANGLE

PROJECTION

TECHNICAL SPECIFICATION

SKU#	Voltage/Ph/Frequency	Selected Ambient Temp (F)	Condenser Summer	Additional Flooding Charge for Different Minimum Ambient				
				40F	20F	0F	-20F	-40F
ACCD76065	460-480/3/60	105	9.4	5.7	5.6	6.7	6.8	7.4
ACCD76066	460-480/3/60	105	12.6	7.6	7.6	8.8	9.0	9.8

SKU#	Voltage/Ph/Frequency	FLA	MCA	MOP	SCCR
ACCD76065	460-480/3/60	4	6	8	10kA
ACCD76066	460-480/3/60	4	6	8	10kA

SKU#	Air Flow		Fans	Circuits
	CFM	L/s	Qty	Qty.
ACCD76065	11441	5399	2	2
ACCD76066	11049	5214	2	2

Flooded Receiver SKU #	Flooded Receiver Qty.	Refrigerant Capacity (R-410a)	Receiver Connection (in)		Diameter in.	Length in.
			In	Out		
ACAC76131	2	18 lbs	5/8	5/8	6	24
ACAC76132*	1	26 lbs	1-3/8	7/8	6	36

\* This configuration applies when paired with single circuit indoor cooling unit.

SKU#	Connections (Sweat)	
	Hot Gas	Liquid
ACCD76065	2 x 1-1/8	2 x 7/8
ACCD76066	2 x 1-1/8	2 x 7/8

THIS DRAWING AND SPECIFICATIONS HEREIN ARE THE PROPERTY OF SCHNEIDER ELECTRIC AND SHALL NOT BE COPIED, REPRODUCED OR USED IN WHOLE OR IN PART, AS THE BASIS FOR THE MANUFACTURE OR SALE OF ITEMS WITHOUT WRITTEN PERMISSION FROM SCHNEIDER ELECTRIC. THIS DRAWING IS BASED UPON LATEST AVAILABLE INFORMATION AND IS SUBJECT TO CHANGE WITHOUT NOTICE.



TITLE: COOLING SOLUTIONS  
UNIFLAI-R-DX, CONDENSERS  
60-65kW, 460-480V, 3Ph, 60Hz  
95F/120F  
TECHNICAL DATA  
PROJECT: DRAWINGS SHEET 5 OF 5

DWG NO:	ACCD76065-66	REV.	1
DRAWN BY:	K.NAGENDRA	26-MAY-15	THIRD
ENGINEER:	K.BAER	26-MAY-15	ANGLE
APPROVED BY:	C.CUMMISKEY	26.MAY-15	PROJECTION