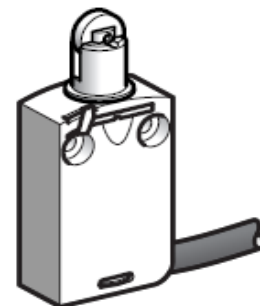




Technical datasheet

XCMD3902T1

Pre-cable connection component for XCMD range
Halogen free cable for railway equipments.
Cable conform to EN50306 and NF16-101 standard



Environment Characteristics

Conformity to standards for product		IEC 60947-5-1, EN 60947-5-1
Conformity to standards for cable		EN50306 - NF16-101
Product certifications		CE
Protective treatment		TC
Storage temperature		-40°C à +70°C
Operation temperature		-25°C à +70°C
Vibration resistance	IEC 60068-2-6	5 gn (10 to 500Hz)
Shock resistance	IEC 60068-2-27	25gn, time 18ms
Electric shock protection	IEC 61140, NF C 20-030	Class I
Degree of protection	IEC 60529, EN 50102	IP66, IP67
Repeat accuracy		0,05mm on the tripping points with 1 million operations
Material	Body and head	Zamak

Contact block Characteristics

Rated operational characteristics	IEC 60947-5-1 appendix A EN 60947-5-1	AC-15 C300 (Ue = 240 V , Ie = 0,75A) DC-13 R300 (Ue = 250 V , Ie = 0,1 A)
Thermal current		I _{the} = 3 A
Rated insulation voltage	EN 60947-5-1	U _i = 300V degree of pollution 3
Rated impulse withstand voltage	IEC60947-1, IEC 60664	U _{imp} = 4 KV
Positive operation	IEC 60947-5-1 Appendix K, EN 60947-5-1	NC contacts with positive opening operation
Resistance across terminals	IEC 60255-7 category 3	< 25mohms
Short-circuit protection		6A cartridge fuse type gG (gl)
Minimum actuation speed		0,01m/minute
Maximum actuation speed		0,5 m/s on end
Minimum force	For tripping	8,5 N
	For positive opening	42,5 N

Cable Characteristics

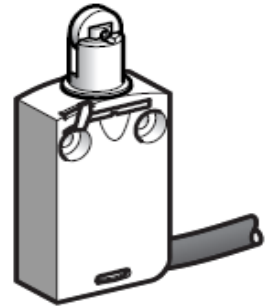
External diameter		6,8 mm + / - 0,2mm Class: E
Composition		7x0,5mm ² Tinned copper
Length		1m +/-5cm
Colour of the cable		Black
Colour of the wire		White numbered 1 to 7
Material	Cable insulation material	Halogen free according to EN 50306
	Cable external jacket	Halogen free according to EN 50306
Nominal voltage		300V
Insulation voltage	NFC 32 201-1	1,5 kV
Flame propagation	NFC 32-070	Class C1
Smoke emission	NFF 16101	F0
Static bending radius		R min = 40mm



Technical datasheet

XCMD3902T1

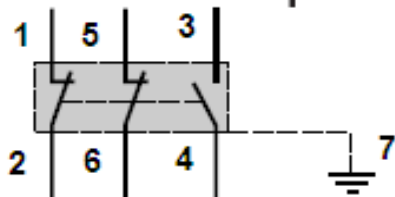
Pre-cable connection component for XCMD range
Halogen free cable for railway equipments.
Cable conform to EN50306 and NF16-101 standard



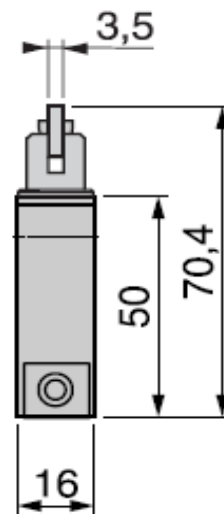
Connections

Dimensions

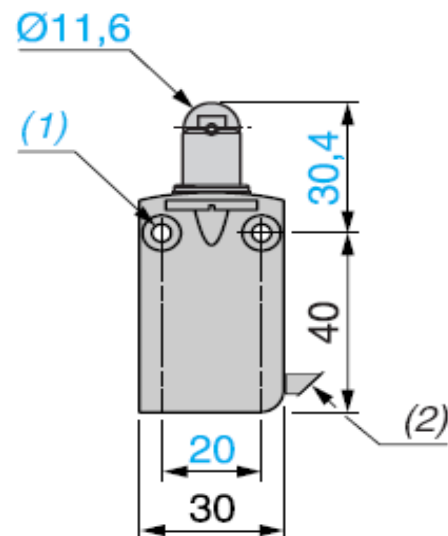
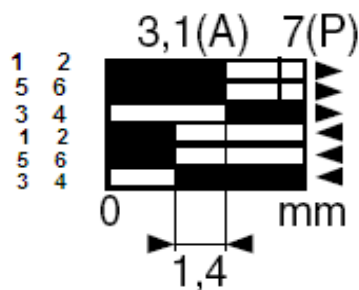
Contact tripolaire "O+O+F"
à action brusque



White wire, numbered 1 to 7



Contact diagram



(1) 2 fixing holes $\varnothing 4,2\text{mm}$, counterbored $\varnothing 8\text{mm}$ by 4mm deep

(2) external diameter of cable 7,3mm