

Product data sheet

Characteristics

XUY462CC3D2

Photoelectric sensors for Roller conveyor- compact design - DC supply, solid-state output



Main characteristics

Sensor name	XUY
Sensor design	Roller sensor
Detection system	Diffuse
Material	Metal
Type of output signal	Discrete
Supply circuit type	DC
Wiring technique	3-wire
Discrete output type	PNP
Discrete output function	1 NO
Electrical connection	Cable
Cable length	2 m
Product specific application	conveyor system
Length	462 mm
Sensor pitch (Spacing)	108 mm
Number of sensors	3
Mounting parts	Diameter 8

Complementary characteristics

Emission	Infrared
[Sn] nominal sensing distance	0.15 m diffuse
Sensing distance	White target 92% (0.2 m)
Sensing distance	black target 6% (0.1 m)
Enclosure material	Aluminium
Lens material	Polycarbonate
Cover material	PVC
Output Type	Solid state
Pulse Frequency	1 KHz
Status LED	1 LED color : yellow for output signal
[Us] rated voltage	24 V DC with reverse polarity protection
Supply voltage limits	18...30 V DC
Switching capacity in mA	100 mA (overload and short-circuit protection)
Switching frequency	500 Hz
Voltage drop	< 2 V at 100 mA (closed state)
Current consumption	< 35 mA (no-load)
Delay response	1 ms
Height / Diameter	12mm

Environment characteristics

Product certifications	CCSAus
	CE
Ambient air temperature for operation	-10...55°C
Ambient air temperature for storage	-20...80°C
IP degree of protection	IP65 conforming to IEC 60529

The information provided in this documentation contains general descriptions and/or technical characteristics of the performance of the products contained herein. This documentation is not intended as a substitute for and is not to be used for determining suitability or reliability of these products for specific user applications. It is the duty of any such user or integrator to perform the appropriate and complete risk analysis, evaluation and testing of the products with respect to the relevant specific application or use thereof.

Product data sheet

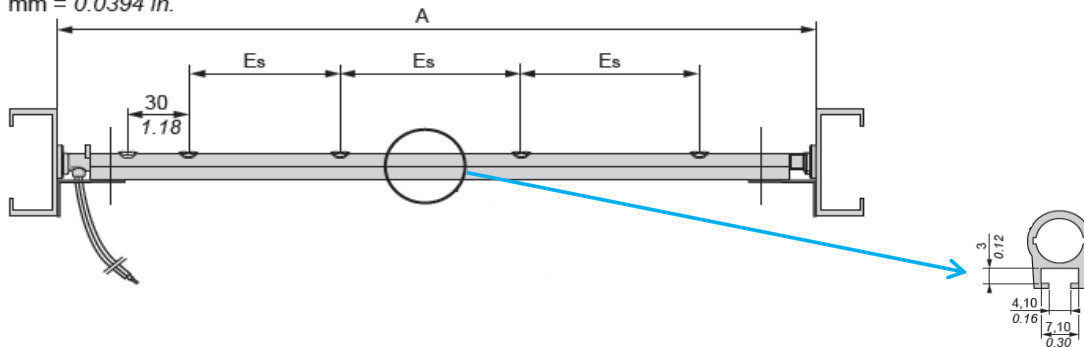
Dimensions Drawings

XUY462CC3D2

Phototo electric sensors for Roller conveyer- compact design -
DC supply, solid-state output

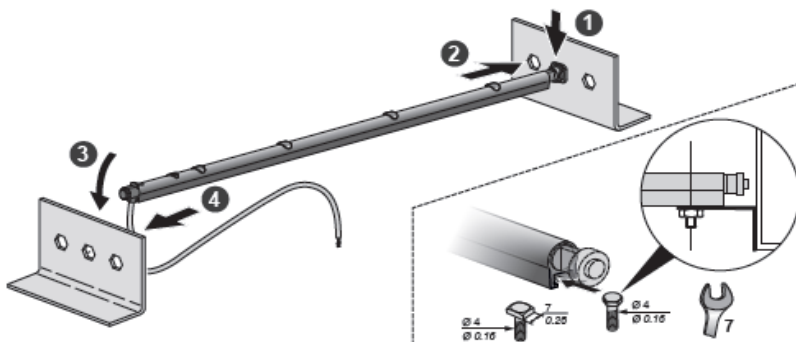
Dimensions

1 mm = 0.0394 in.



A: 462 mm
ES: 108 mm

Mounting and clearance



- (1) Position the spring-loaded end of the sensor on the conveyer extrusion
- (2) Compress the spring
- (3) With the spring still compressed attach the cable end
- (4) Release the pressure on the spring

Connections and Schema

simple sensor PNP / NO

