

Install Supplement

SURT20KRMXLT or SURT15KRMXLT Smart-UPS
SBP20KP- Bypass Panel
APTF20KW01 – Stepdown Transformer

***This is a supplement to the product manuals.
This material does not replace the product manuals.
This revision supercedes all previous versions.***

V1.9 01/18/17

The APC logo consists of the letters 'APC' in a bold, red, sans-serif font. A registered trademark symbol (®) is located to the upper right of the 'C'. A thin horizontal line is positioned directly below the letters.

by Schneider Electric
January , 2017

Install

This document will outline the proper wiring and installation of an SURT20K or SURT15K UPS with a SBP20KP bypass panel and APTF20KW01 Stepdown/Isolation transformer.

Equipment to be Installed:

SBP20KP – 20 Kva Bypass Panel
SURT15KRMXLT/SURT20KRMXLT –Single Phase UPS
APTF20KW01 – 20Kva Stepdown Transformer

Input Electrical Service Requirements:

208/240 VAC – 3 Wire (Hot, Hot, Ground)
2-pole External Input Breaker (Refer to UPS User manual for sizing)
Wire Size: 1 AWG

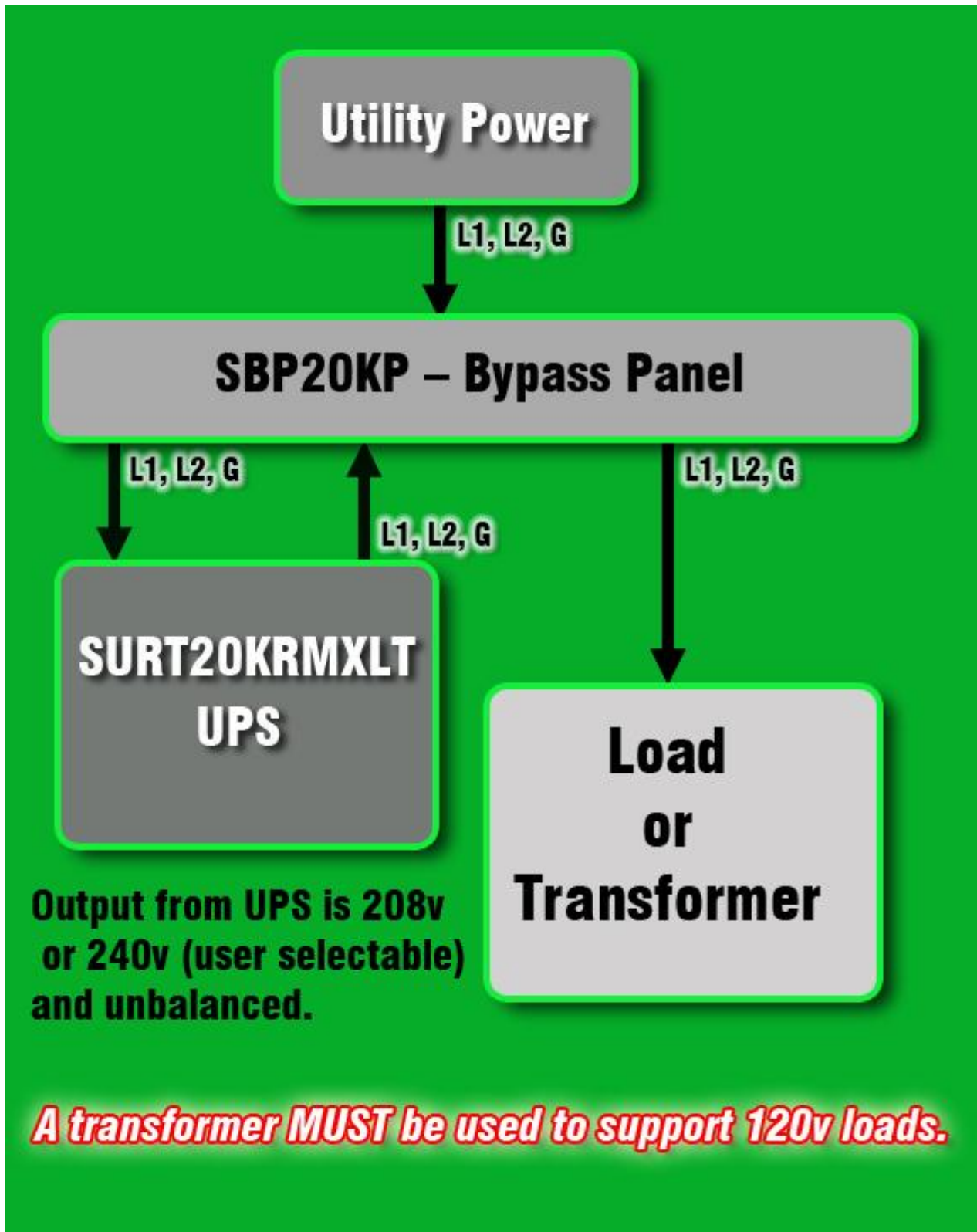
UPS Output:

208/240 VAC – 3 Wire (Hot, Hot, Ground)
Wire Size: 1 AWG

Note: *This is an unbalanced 3 wire output
A stepdown transformer is required for any 120VAC loads
We recommend the **APTF20KW01** Stepdown/Isolation Transformer*

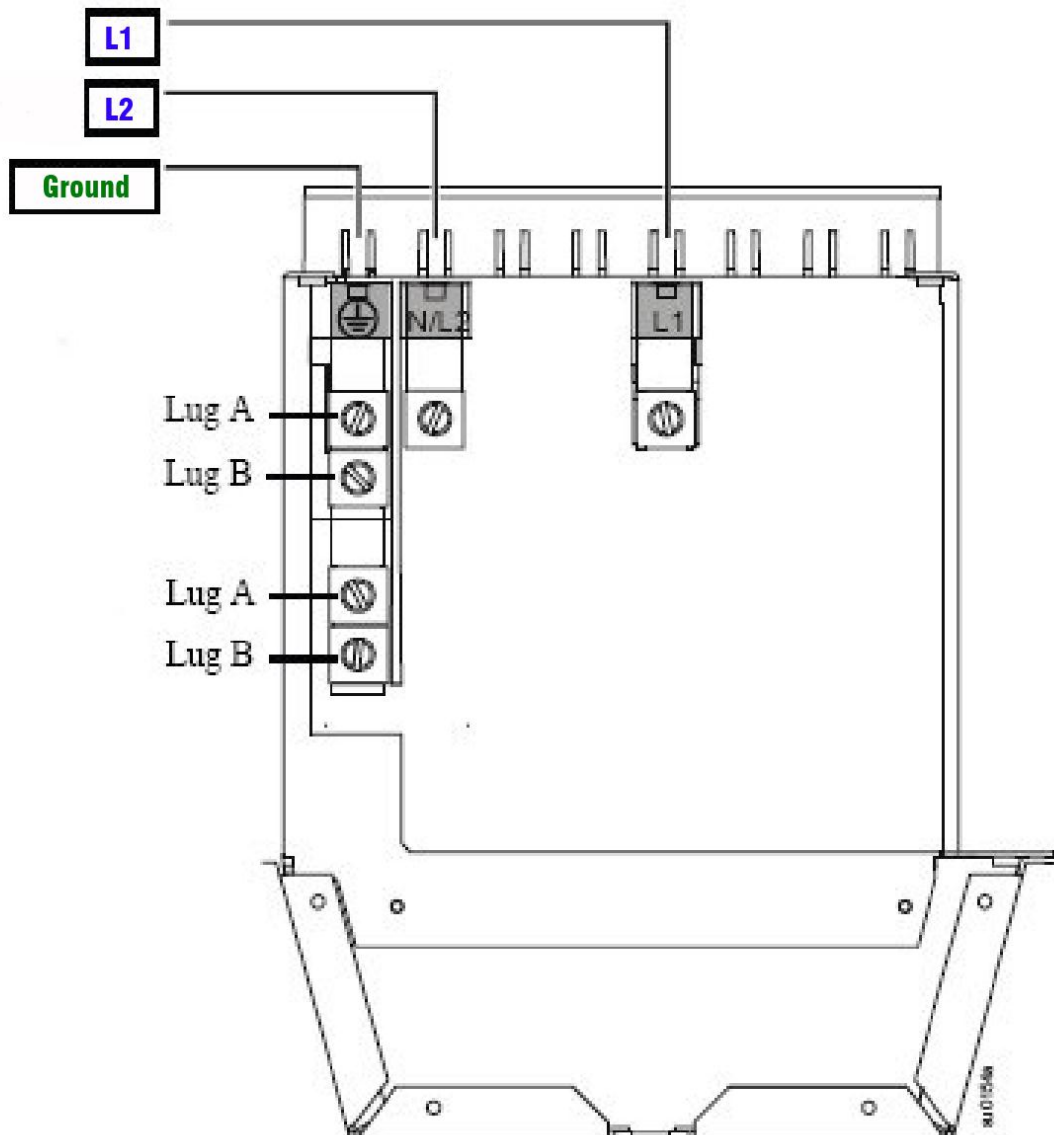
IMPORTANT:

- Ensure that Input breaker and wiring is sized appropriately before attempting to start UPS
- UPS will not start unless all thumb screws on wiring trays are secure.
- Double check that battery pack cables are securely connected and the cable retention bracket is secured with its thumb screw.
- Ensure that all APC products are functioning correctly before connecting 3rd party peripherals.
- Bypass panel can only bypass the UPS. It cannot bypass the UPS **and** Stepdown Transformer



UPS Input Wiring

Input is (2) 120v Hots, and a Ground
This can be 208v or 240v
#1 AWG
125 Amp Dedicated Service



UPS Output Wiring

Inspect Output Wiring Tray:

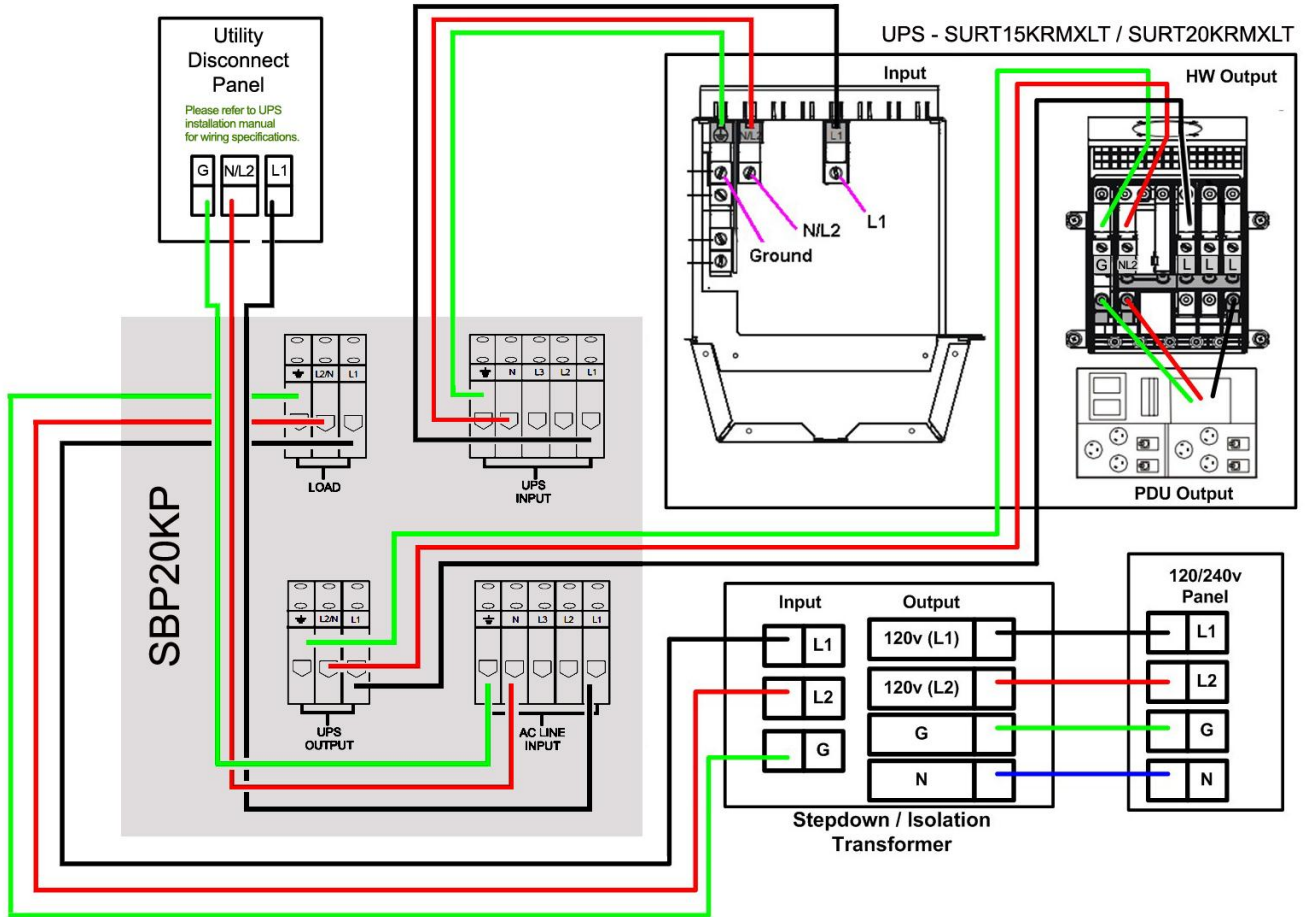
Output Wiring for outlets on the back of the battery pack should be looped around before being fed out the bottom of the wiring tray.

Output to the bypass panel is fed out through the top of the wiring tray.

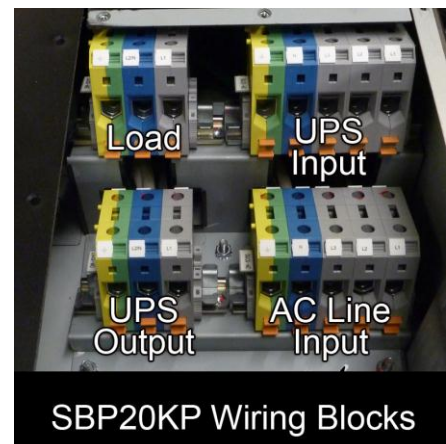


System Install

Complete Wiring Diagram:

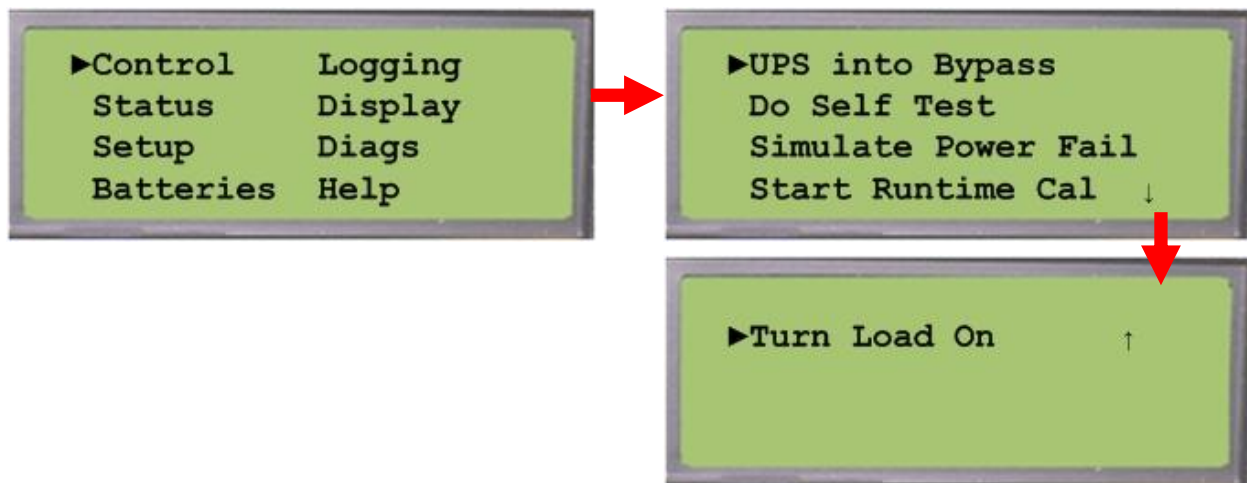


SBP20KP Wiring Block Detail:



SURT20K/SURT15K Start-Up Procedure

- Connect Input Power to the UPS
- Verify that all thumb screws on input/output wiring trays are secure
- Connect batteries
- Verify that battery pack connector is firmly connected on back of UPS and that battery cable retention bracket is secured
- Check the Power View Display Interface for Messages
- Turn the Load On Using the PowerView display



Use of the Service Bypass Panel

When moving from Normal to any other mode

- Place UPS into Bypass via LCD panel
- Confirm UPS is in Bypass
- It is now safe to move SBP to any mode

When moving from Test/Maintenance to Bypass or vice versa

- UPS can be in any state

When moving from Test or Bypass back to Normal

- Place UPS in Bypass via LCD panel (if not already)
- Confirm that UPS is in Bypass
- Move SBP to Normal
- Confirm UPS has no faults and input is acceptable to bring online.
- Take UPS out of Bypass via LCD

