



Does APC offer uniquely keyed locks for NetShelter SX and SV Cabinets?

All NetShelter SX & SV cabinets ship with the same lock/key for the Front Door, Rear Door and Side Panels (keyed to code #333) allowing customers to maintain a single key regardless of the number of cabinets used. The AR8132A combination door handles also ship with the same key/lock keyed to code #222. NetShelter WX skus AR106SH4, AR109SH4, AR112SH4, AR106SH6, AR109SH6 and AR112SH6 use the same door handles as the SX cabinets. Although having a single key for all cabinets provides many benefits some customers are interested in having uniquely keyed locks on some, if not all, of their cabinets. All SX door handles and side latches have user replaceable lock cylinders, including the AR8132A combination door handle. On the NetShelter SV cabinets only the front and rear door handle have user replaceable lock cylinders. The SV side panel locks are not user replaceable. For NetBotz HID door handle unique key requests please contact the CustomRacks team at APC by Schneider Electric.

APC's lock and handle vendor (EMKA Inc.) is a leading global supplier for locksets. They offer several different lock solutions for customers who need lock cylinders with unique key codes. Replacement lock cylinders are available with, or without, a master key (see details below). Because of the numerous options available from EMKA APC does not stock individual lock cylinders. To make ordering easier EMKA allows APC customers to purchase from them or their distributors. For help with selection and ordering please contact EMKA customer service at the numbers below.

The replacement lock cylinders attach with a single screw on the back of the handle or side latch. Installing the new locks is a simple task that requires approximately five minutes per lock. (see below)

APC cannot provide NetShelter cabinets with unique locks and will not compensate customers for labor to change locks in the field.

Uniquely keyed locks are for NetShelter SX & SV cabinets only. They are NOT compatible with NetShelter WX, CX or the NetBotz HID door handles. If you have questions regarding compatibility please contact APC.

Replacement Lock Cylinder Keyed 333 (same as original key)

1108-U1: zinc cylinder for door handle.

1108-U1-SI: poly cylinder for side panel. You must also order one replacement screw per lock cylinder. This screw is EMKA #000085.

NOTE: We also sell the replacement side latch (keyed 333) in packages of 4 under p/n 0J-840-0269-333SE. This is the whole latch including lock cylinder.

Unique Key EMKA Option #1:

This solution allows for up to 100 unique key codes for the front/rear doors and sides, and provides a master key override. The master key is a single key that will open all of the 100 different key codes.

Replacement Lock Cylinder, Keyed Differently, w/ Master Key

1108-U17-MK103: zinc cylinder for door handle or side panel.

1108-MK103: Master key, this will open all 1108-U17-MK103.

One 1108-U17-MK103 must be ordered for each NetShelter Door handle and side panel. There are 2 doors and 4 side panels per cabinet except for the AR3104, it has two side panels.

Unique Key EMKA Option #2:

This solution allows for up to 220 unique key codes for the front/rear doors and sides, but does not provide a master key override.

Replacement Lock Cylinder, Keyed Differently

1108-U1V : zinc cylinder for door handle.

1108-U1-SIV: poly cylinder for side panel. You must also order one replacement screw per lock cylinder. This screw is EMKA #000085.

One 1108-U1-V must be ordered for each NetShelter Door handle. There are 2 door handles per cabinet.

One 1108-U1-SIV and one #000085 must be ordered for each side panel. Each cabinet has 4 side panels except AR3104, it has two side panels.

United States Headquarters EMKA Inc. 1961 Fulling Mill Road Middletown, PA 17057 Phone: 717-986-1111	European Headquarters EMKA Beschlagteile GmbH & Co. KG Langenberger Str. 32 D-42551 Velbert (Germany) Phone: +49 (0)2051 273-0
--	--

ILLUSTRATIONS FOR LOCK CYLINDER REPLACEMENT

ILLUSTRATION 1

LOCK CYLINDER REPLACEMENT OF SX FRONT/REAR DOOR HANDLE

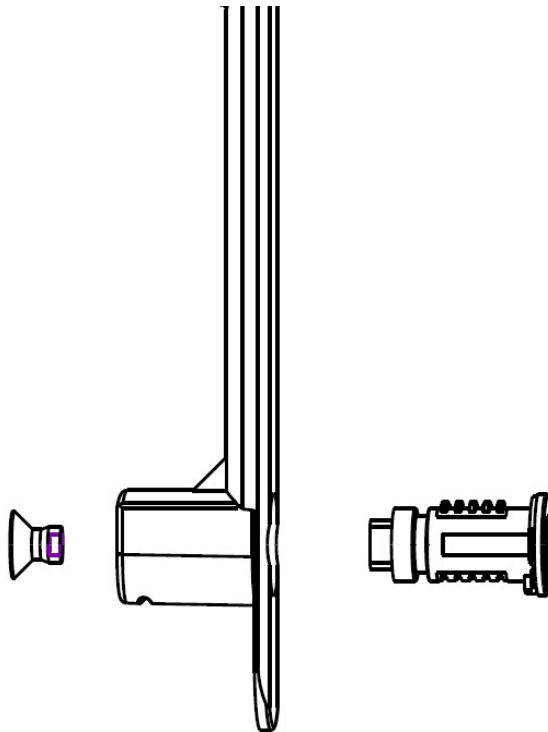


ILLUSTRATION 2

LOCK CYLINDER REPLACEMENT OF SX SIDE PANEL LATCH

