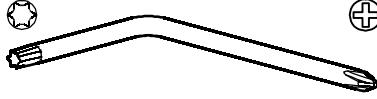


Reversing the Front Door

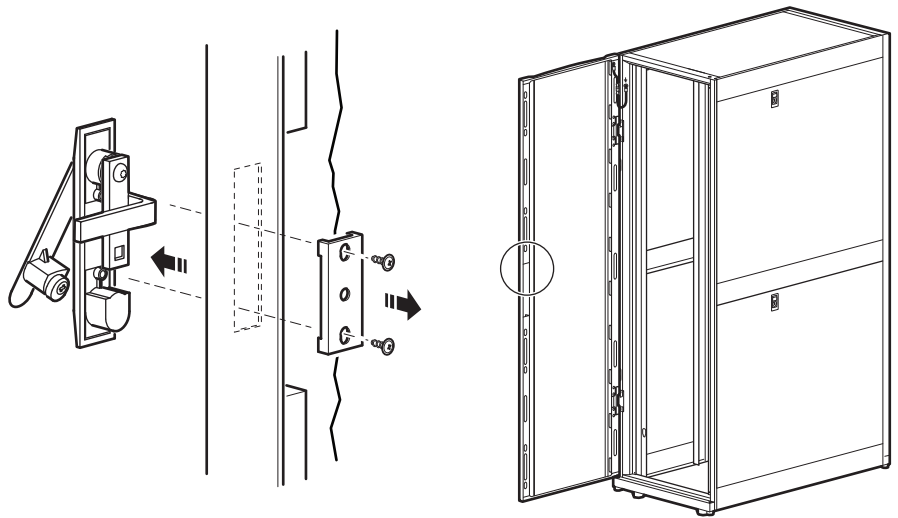
You can reverse the front door so the door is hinged on the opposite side.

Required tools:

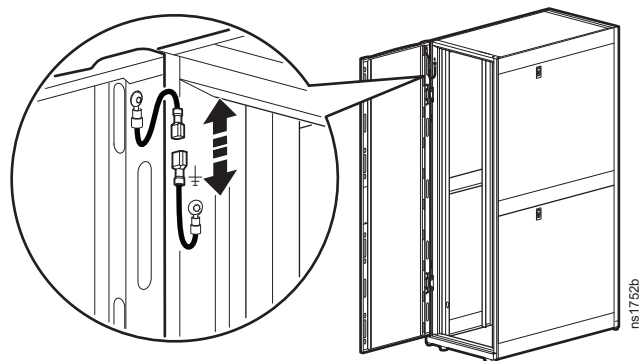


Torx[®] T30/#2 Phillips wrench (provided in hardware bag)

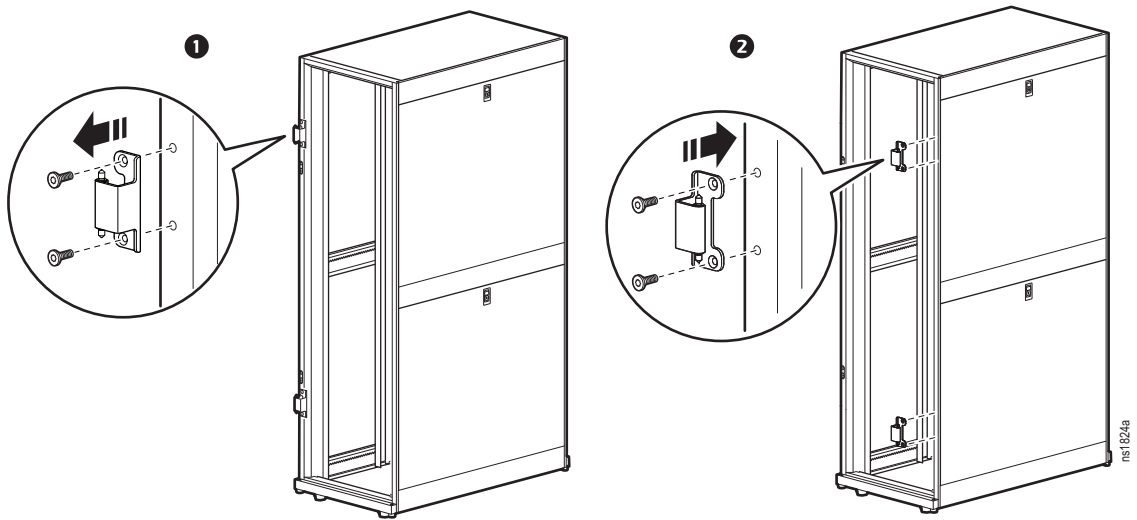
1. Remove the handle.



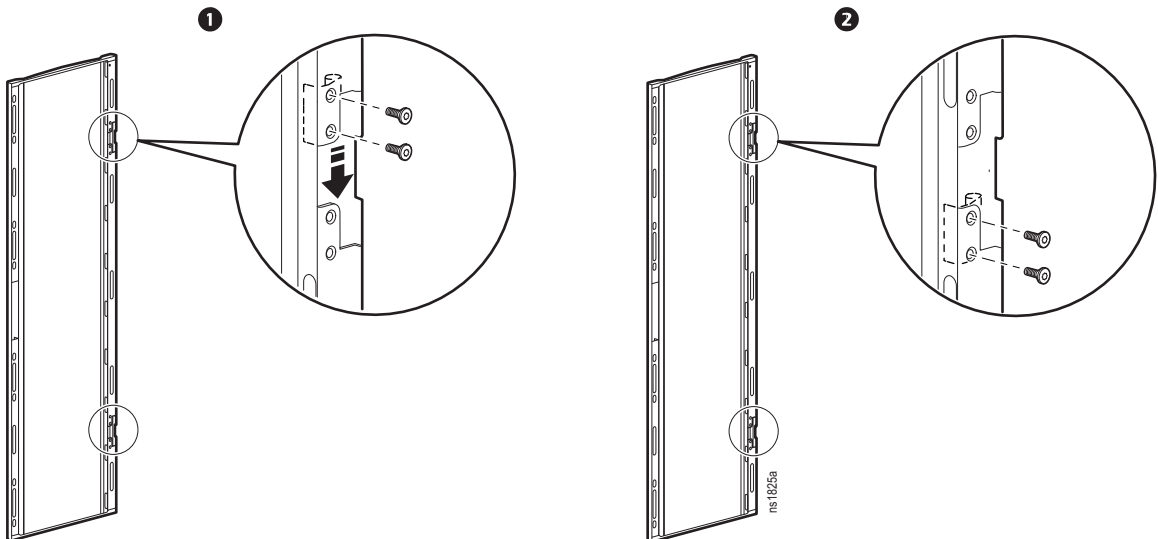
2. Disconnect the ground wire and then remove the door.



3. Remove and reinstall the hinges on the enclosure frame.

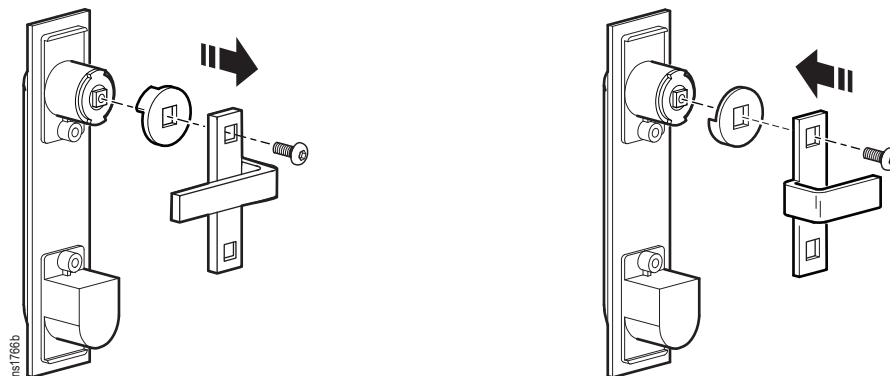


4. Remove and reinstall the hinges in the door frame.

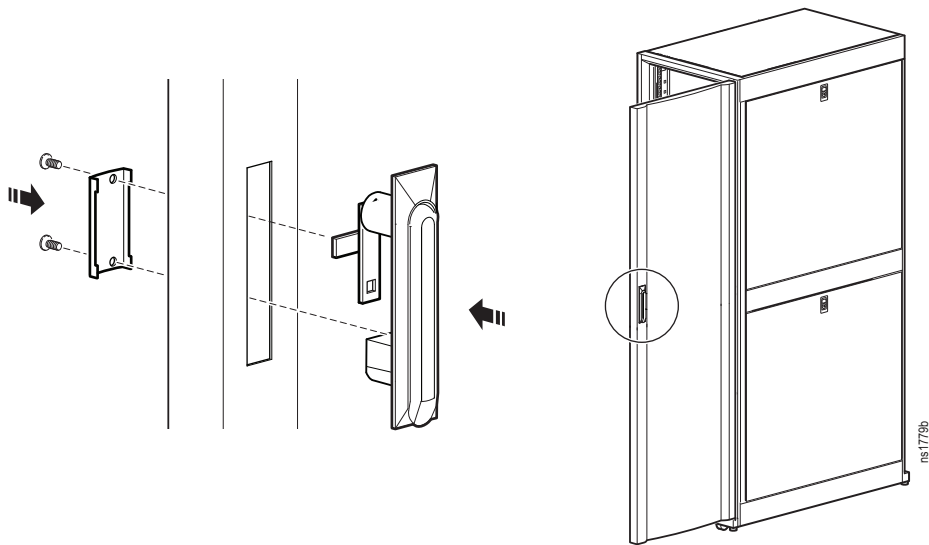


5. Reinstall door and reconnect the ground wire.

6. Remove and reinstall the latch and washer oriented as shown. The washer is rotated 90 degrees from its original orientation, and the latch is rotated 180 degrees.



7. Reinstall the handle on the door.



8. Remove and reinstall the APC nameplate at the location shown.

