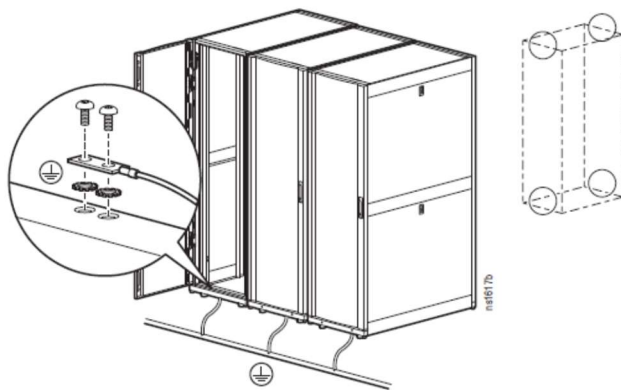


How many bonding points are on the NetShelter SX cabinet and where are they located? What are the dimensions of the holes?

There are four bonding points on the NetShelter SX cabinets:

- Front frame, on the top horizontal member.
- Front frame, on the bottom horizontal member.
- Rear frame, on the top horizontal member.
- Rear frame, on the bottom horizontal member.
- The holes are threaded M6 and spaced 15.875mm center-to-center.

This information is from the NetShelter SX Installation Manual:



Ground the Cabinet

Each cabinet should be bonded directly to a common ground using one of the designated grounding locations (two M6 threaded inserts) at the top or bottom of the cabinet.

- Use a Common Bonding Network Jumper kit (for example, Listed [KDER] Panduit® RGCBNJ660PY or equivalent).
- Use paint-piercing washers between the ground terminal and the cabinet frame, or remove the paint on the frame under the ground terminals, per NEC NFPA 70 Article 250.12.
- Torque the screws to 6.9 N·m (60 lb-in).