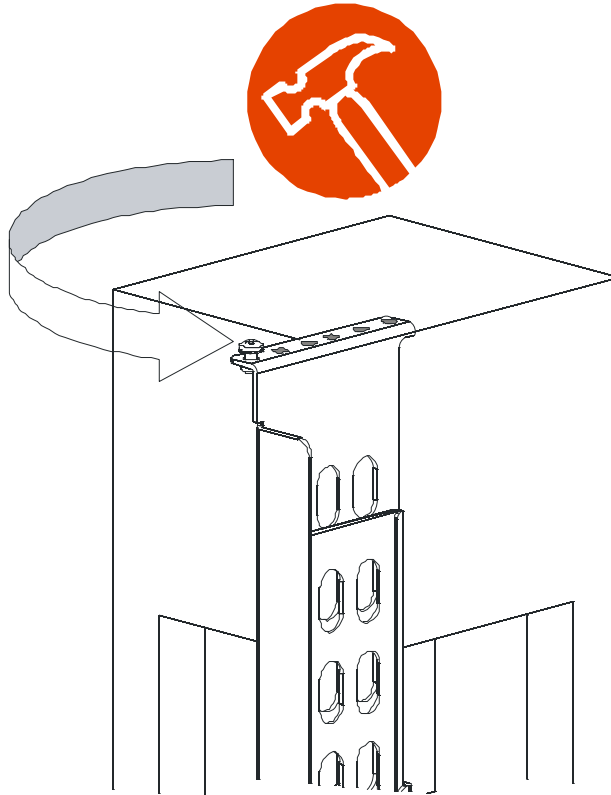


# Installing Standard APC Rails to a Threaded Rack

## **Step 1**

Remove Captive Nuts:

- Partially insert #10-32 screw (provided with the rail kit) as shown
- Partially support rail on the edge of a solid surface as shown
- Use hammer to strike screw to remove the captive nut



## **Step 2**

After removing all captive nuts mount rails as shown.

