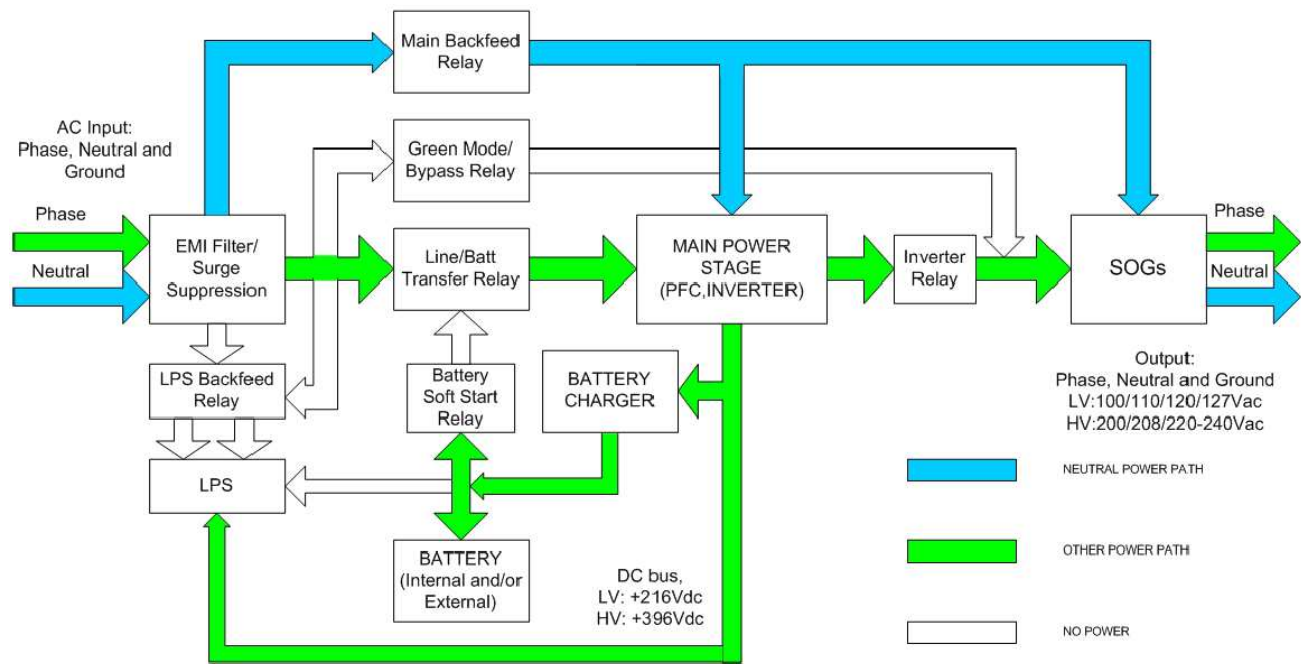


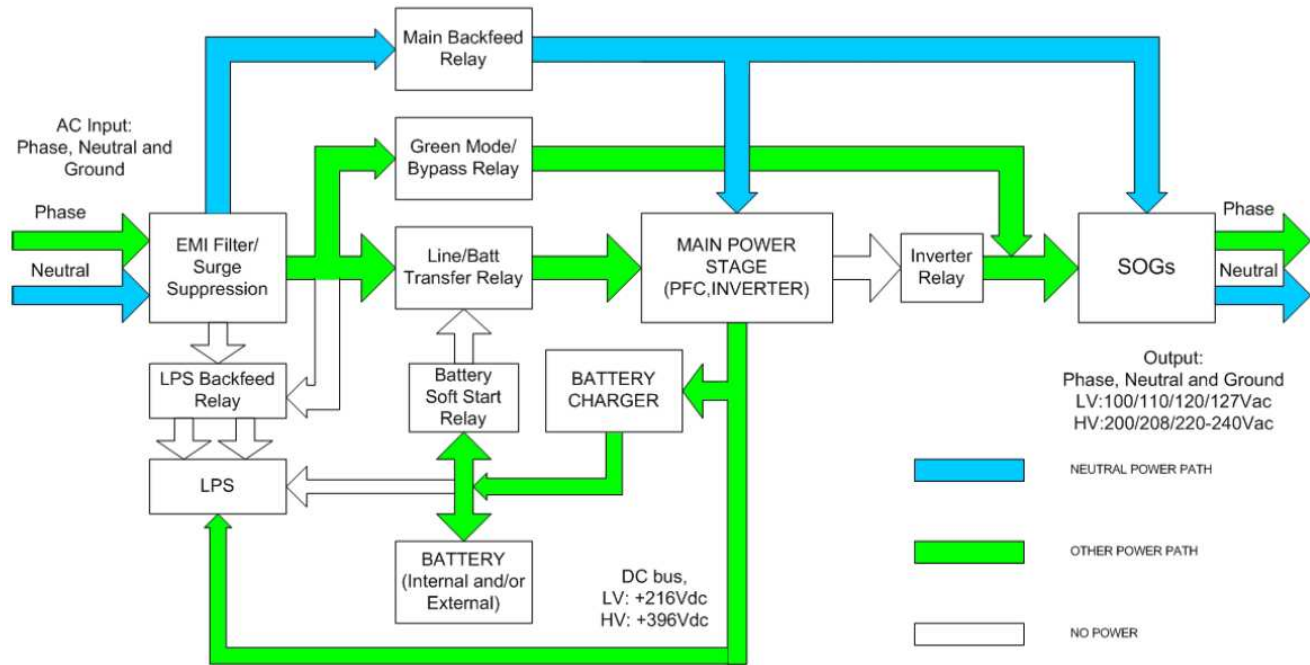
# SMT / SMX Operational Diagram

## AVR Mode



# SMT / SMX Operational Diagram

Green Mode 



# SMT / SMX Operational Diagram

## On Battery Mode

