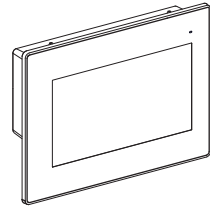


GP-4402WW/GP-4502WW Installation Guide

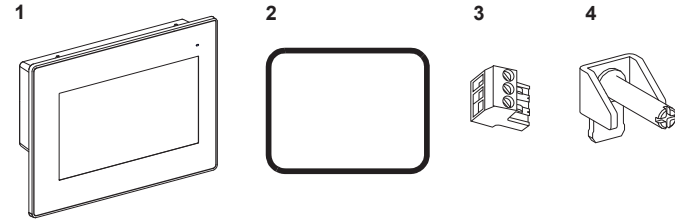
GP-4402WW/GP-4502WW 安装指南



A IMPORTANT INFORMATION / 重要信息

Please read the "Warning/Caution Information" on the attached sheet before using the product. The information provided in this documentation is only for simple installation instruction. Complete general specifications, installation, maintenance and safety instructions are described in the product Hardware Manual. You can download the manual from our website.
 使用该产品前，请先阅读附页上的“警告/注意信息”。此文档中提供的信息仅仅是简单安装说明。完整的产品规格，安装，维护以及安全指南等信息，请参考产品《硬件手册》。您可以从我们的网站下载手册。

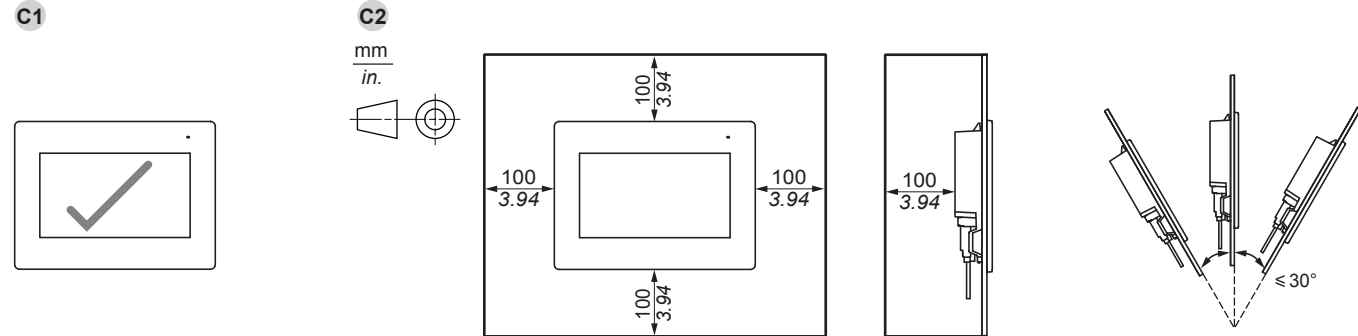
B PACKAGE CONTENTS / 装箱物品



1. GP-4402WW (PFXGP4402WADW) or GP-4502WW (PFXGP4502WADW) x 1
2. Installation Gasket (attached to the panel) / 防水橡皮垫圈 (连接到面板) x 1
3. DC power connector / 直流电源连接器 x 1
4. Screw installation fasteners / 螺钉安装扣件 (GP-4402WW x 4, GP-4502WW x 6)
5. Installation Guide (this guide) / 安装指南 (本指南) x 1
6. Warning/Caution Information x 1

NOTE: Check all the applicable items listed here, if anything was broken please contact your supplier.
 请检查包装内各项物品，如有任何损坏请联系您的供货经销商。

C INSTALLATION / 安装说明



| | |
|---|----------------------------|
| Ambient operating temperature (cabinet interior & panel face) 环境工作温度 (机柜内部和面板表面) | 0...50 °C (32...122 °F) |
| Storage temperature / 存储温度 | -20...60 °C (-4...140 °F) |
| Relative humidity / 相对湿度 | <90 % Non condensing / 无冷凝 |

⚠️ DANGER / 危险

HAZARD OF ELECTRIC SHOCK, EXPLOSION OR ARC FLASH

- Disconnect all power from all equipment including connected devices, prior to removing any covers or doors, or installing or removing any accessories, hardware, cables, or wires except under the specific conditions specified in the appropriate hardware guide for this equipment.
- Always use a properly rated voltage sensing device to confirm the power is off where and when indicated.
- Replace and secure all covers, accessories, hardware, cables, and wires and confirm that a proper ground connection exists before applying power to the unit.
- Use only the specified voltage when operating this equipment and any associated products.

Failure to follow these instructions will result in death or serious injury.

有触电致死、爆炸或电弧的危险。

- 在卸除任何护盖或门，或安装或卸除任何附件、硬件、电缆或导线之前，先断开所有设备的电源连接（包括已连接设备），但本设备相应硬件指南中指定的特定情况除外。
- 始终使用合适的额定电压传感器确认所有电源已在指示位置及指示时间关闭。
- 更换并紧固所有壳盖、附件、硬件、电缆与导线，并确认接地连接正确后才对设备通电。
- 在操作本设备及相关产品时，必须使用指定电压。

不按照上述规定操作会导致严重的人员伤亡。

(en) Electrical equipment should be installed, operated, serviced, and maintained only by qualified personnel.

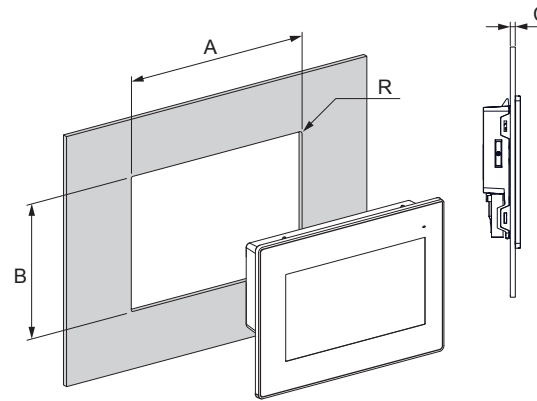
(zh) 电器设备的安装、操作、维修和维护工作仅限于合格人员执行。

NOTE: Please be aware that Digital Electronics Corporation shall not be held liable by the user for any damages, losses, or third party claims arising from the uses of this product.

Digital Electronics Corporation 对用户使用该产品所引起的伤害、损失以及所引发的第三方要求，本公司概不承担，敬请谅解。

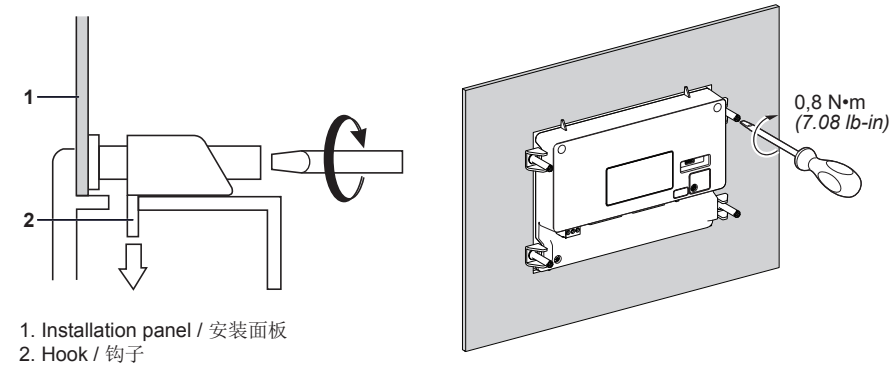
Copyright © 2015.06 Digital Electronics Corporation. All rights reserved.

C3 Installation cut-out / 安装开孔尺寸



| Model / 型号 | A | B | C (Panel thickness / 安装面板厚度) | R |
|------------|---|--|------------------------------|------------------------|
| GP-4402WW | 190 ^{±1} mm (7.48 ^{±0.04} in) | 135 ^{±0.7} mm (5.31 ^{±0.03} in) | 1...5 mm (0.04...0.19 in) | 3 mm (0.12 in) max. |
| GP-4502WW | 255 ^{±1} mm (10.04 ^{±0.04} in) | 185 ^{±1} mm (7.28 ^{±0.04} in) | 1...5 mm (0.04...0.19 in) | 3 mm (0.12 in) max. |

C4 Insert the installation fasteners, then tighten with a Phillips screwdriver / 插入安装扣件并使用十字螺丝刀拧紧



| Model / 型号 | Screw Installation Fasteners 螺钉安装扣件 |
|------------|--|
| GP-4402WW | 4 |
| GP-4502WW | 6 |

NOTICE / 注意

BROKEN ENCLOSURE

Do not exert more than 1 N·m (8.85 lb-in) of torque when tightening the fastener's screws.

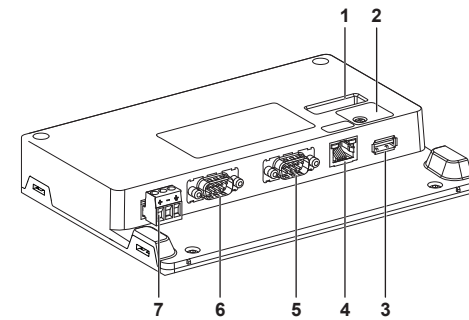
Failure to follow these instructions can result in equipment damage.

外壳破损

请不要使用超过1 N·m (8.85 lb-in)的力来拧紧螺钉扣件

如果不遵守这些说明，将会导致设备损坏。

D INTERFACE AND WIRING / 接口和接线说明



1. USB mini B downloading port / USB mini B 下载接口
2. USB Type A extension port locker
USB Type A 扩展口紧固锁扣
3. USB Type A Extension port
USB Type A 扩展口
4. Ethernet port
以太网接口
5. Serial Interface RS-422/485 / 串行口 RS-422/485
6. Serial Interface RS-232C
串行口 RS232C
7. Power supply connector / 电源端子

| Connection | Wire |
|------------|---|
| + | 24 Vdc |
| - | 0 Vdc |
| FG | Grounded terminal connected to the panel chassis. |

| Pin Connection | Pin | RS-232 | RS-422/RS-485 |
|----------------|-----|----------|---------------|
| 1 | 1 | CD | RDA |
| 2 | 2 | RD(RXD) | RDB |
| 3 | 3 | SD(TXD) | SDA |
| 4 | 4 | ER(DTR) | - |
| 5 | 5 | SG | SG |
| 6 | 6 | DR(DSR) | - |
| 7 | 7 | RS(RTS) | SDB |
| 8 | 8 | CS(CTS) | - |
| 9 | 9 | Reserved | - |
| Shell | FG | FG | FG |

| Pin Connection | Pin | Signal |
|----------------|-----|--------|
| 1 | 1 | TD+ |
| 2 | 2 | TD- |
| 3 | 3 | RD+ |
| 4 | 4 | - |
| 5 | 5 | - |
| 6 | 6 | RD- |
| 7 | 7 | - |
| 8 | 8 | - |

SG: Signal Ground
FG: Functional Ground

NOTICE / 注意

EQUIPMENT DAMAGE

- Only use 24 Vdc to power on the panel.
- Do not share the power supply together with inductive load (magnet valve or magnet switch) or I/Os of controller. 24 Vdc output from some controllers do not have the capacity of current to power the panel

Failure to follow these instructions can result in equipment damage.

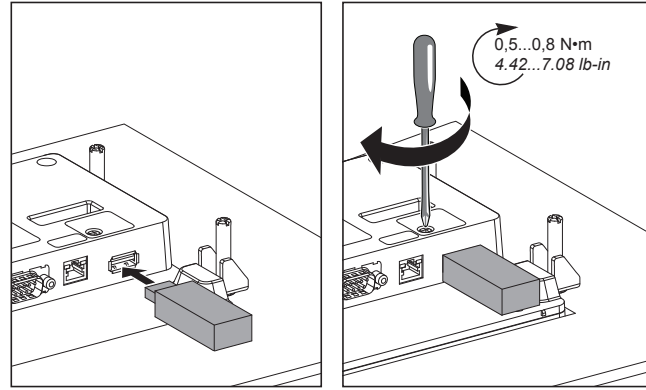
设备损坏

- 只允许24 Vdc电源供电。
- 不要和感性负载（如电磁阀或电磁开关）或控制器的输入输出电路共享同一个电源。某些控制器上提供的24 Vdc输出不能提供足够的电流供面板正常启动。

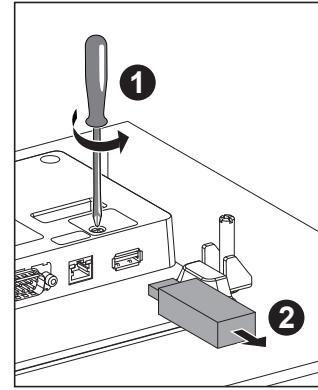
如果不遵守这些说明，将会导致设备损坏。

E OPERATION AND MAINTENANCE / 操作和维护

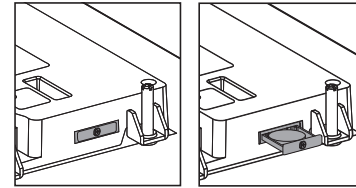
Locking the USB / 锁紧USB



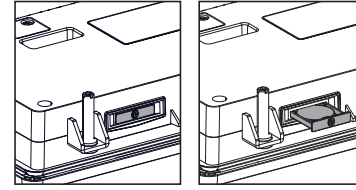
Releasing the USB / 释放USB



Replacing the battery / 更换电池 GP-4402WW



GP-4502WW



Proposed battery maintenance period is 3 years
建议电池更换周期3年

F PRECAUTIONS / 注意事项

Insert a new battery in the compartment in accordance with the polarity markings in the compartment and on the battery.
按照电池舱中和电池上的电极标记在电池舱中插入新电池。

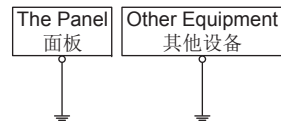
After checking the wiring route carefully, make sure to use this product with FG connected.
请仔细确认配线，务必确保FG连接。

Grounding

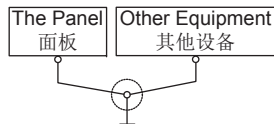
- Use an exclusive grounding with a grounding resistance of 100 Ω or less and a wire of 2 mm² (AWG 14) or thicker, or your country's applicable standard.

请使用接地阻抗在 100 Ω 或以下的专用地，线径为 2 mm² (AWG 14) 或更粗的接地线，或按照您当地标准。

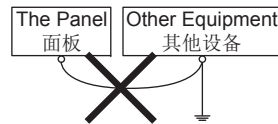
Exclusive Grounding (Best) 独立接地 (最佳)



Common Grounding (OK) 一般接地 (正确)



Common Grounding (Incorrect) 一般接地 (不正确)



G PRECAUTION FOR LONG AND SAFE USE WITHOUT ANY BREAKDOWNS / 为长期、安心、无故障使用，敬请注意一下事项



No touch with sharp objects
请勿用锐利物体操作



No touch with excessive pressure
请勿用过大的力操作



No sunlight/Ultraviolet
请避免阳光或紫外光照射



No chemical cleanser
请勿接触化学清洁剂

H RoHS INFORMATION / 信息

| 部件名称 | 产品中有毒有害物质或元素的名称及含量 | | | | | |
|--------|--------------------|---|---|-----|------|-------|
| | 铅 | 汞 | 镉 | 六价铬 | 多溴联苯 | 多溴二苯醚 |
| 人机界面产品 | X | X | O | O | O | O |

O: 表示该有毒有害物质在该部件所有均质材料中的含量均在 SJ/T11363-2006 标准规定的限量要求以下。
X: 表示该有毒有害物质至少在该部件的某一均质材料中的含量超出 SJ/T11363-2006 标准规定的限量要求。
本表显示了施耐德电气供应链的电子产品信息中可能包含的物质。
注意: 自销售之日起, 所售产品中可能包含, 也可能不包含上述物质。