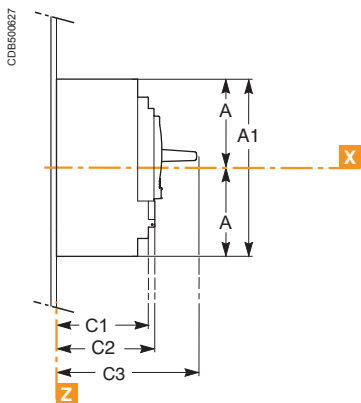
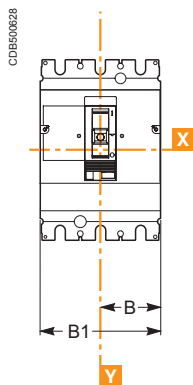


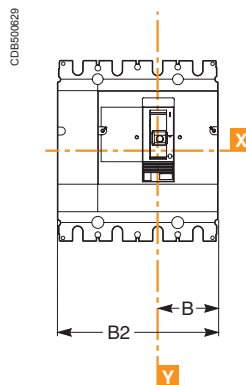
### Dimensions



3P



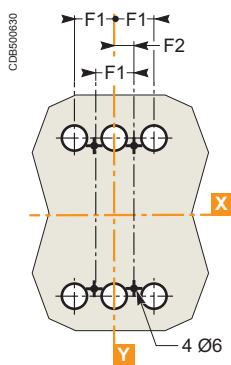
4P



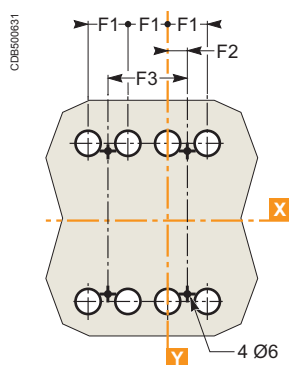
### Mounting on plate

On backplate

3P



4P



(1) The ØT holes are required for rear connection only.

A	A1	B	B1	B2	F1	F2	F3
127.5	255	70	140	185	45	22.5	90