

Highest-performance Industrial PC

PS5000 SERIES



PS-5900W



PS-58**W



PS-570*W



PS-5501W





PS-5700T




PS-5000B

Lineup

Slim Type	CPU/ Main Memory	Rated Voltage/ Slot	OS	Storage Media	Projected Capacitive				Resistive Film
					22" w	19" w	15" w	10" w	15"
Replace only the Display unit for easy maintenance. 	Core i3 Model DDR3L (8GB)	DC24V/ AC100 to 240V 0 Slot	Windows 7 Ultimate (64bit) MUI or Windows Embedded 8.1 Industry (64bit) MUI or Windows Embedded Standard 7 Premium (64bit) MUI	HDD (500GB, 1TB) SSD (80GB, 160GB, 240GB) CFast (16GB)		✓			
	Atom Model DDR3L (4GB)				Enclosed model available.			✓	✓

Modular Type	CPU/ Main Memory	Rated Voltage/ Slot	OS	Storage Media	Projected Capacitive				Resistive Film
					22" w	19" w	15" w	10" w	15"
Integrated type saves space. 	Core i7 Model DDR3L (8GB, 16GB)	DC24V/ AC100 to 240V 0/2 Slots	Windows 7 Ultimate (64bit) MUI or Windows Embedded 8.1 Industry (64bit) MUI or Windows Embedded Standard 7 Premium (64bit) MUI	HDD (500GB, 1TB) SSD (80GB, 160GB, 240GB) CFast (16GB)	✓	✓	✓		✓
	Celeron Model DDR3L (4GB, 8GB)				✓	✓	✓		✓

BOX Type	CPU/ Main Memory	Rated Voltage/ Slot	OS	Storage Media	Expansion Slot	
					0 Slot	2 Slot
Book mount style. 	Core i7 Model DDR3L (8GB, 16GB)	DC24V/ AC100 to 240V 0/2 Slots	Windows 7 Ultimate (64bit) MUI or Windows Embedded 8.1 Industry (64bit) MUI or Windows Embedded Standard 7 Premium (64bit) MUI	HDD (500GB, 1TB) SSD (80GB, 160GB, 240GB) CFast (16GB)		✓
	Celeron Model DDR3L (4GB, 8GB)				✓	✓


Slim Type (Core i3 Model)

PS5000SERIES

Functional Specification

	PS-5811W	PS-5711W	PS-5821W
Model	Core i3 Model		
Display Size	18.5" (Wide 16:9)	15.6" (Wide 16:9)	18.5" (Wide 16:9)
Display Colors	16.7 Million		
Backlight	LED Life Span > 50,000 h @ 25 °C [77 °F]		
Brightness Control	Step Less Adjustment		
Supported OS	Windows® 7 Ultimate 64 bit MUI Windows® Embedded 8.1 Industry 64 bit MUI Windows® Embedded Standard 7 Premium 64 bit MUI		
CPU	Intel® Core i3-4010U 1.7GHz		
Main Memory	8 GB, DDR3L 1600 MHz, SO-DIMM SDRAM		
Graphics Accelerator	Intel® HD Graphics 4400		
Video Memory	Up to 2 GB ,Shared System Memory		
Graphics	FWXGA TFT (1,366 x 768 Pixels)		
Touch Panel Type	Capacitive Multi-touch 5 Simultaneous Touch (Projected Capacitive)		
Touch Panel Resolution	4,096 x 4,096		
Interface	Serial ATA	HDD or SSD x1 CFast: x1	HDD or SSD x1
	Serial (COM1)	RS-232C (D-sub 9-pin, Plug)	RS-232C (M12 A-coding, 8-pin Plug)
	Serial (COM2)	RS-232C / 422 / 485 (D-sub 9-pin, Plug)	-
	Ethernet (LAN1)	10/100/1000 Mbit/s (RJ-45 Modular Jack)	10/100/1000 Mbit/s (M12 A-coding, 8-pin Socket)
	Ethernet (LAN2)	10/100/1000 Mbit/s (RJ-45 Modular Jack)	10/100/1000 Mbit/s (M12 A-coding, 8-pin Socket)
	USB	USB 3.0 x 2 (Type A)	USB 2.0 x 1 (M12 A-coding, 8-pin Socket)
	Video	HDMI x 1	-
	Audio	Line Out x 1	-
	Mini PCIe	x 1 (Revision 1.2)	-

General Specification

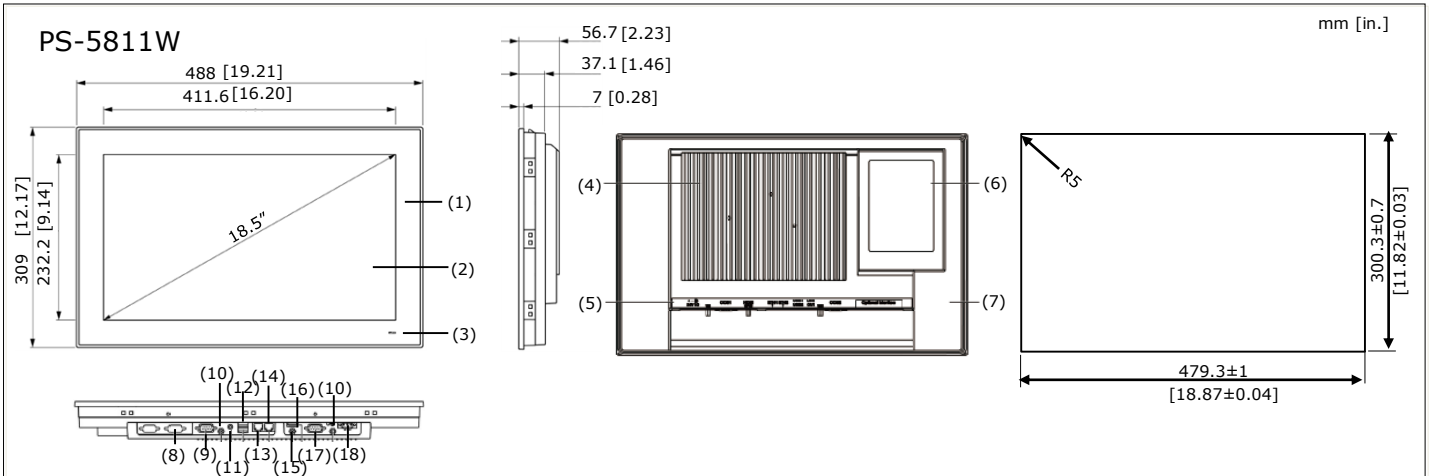
	PS-5811W	PS-5711W	PS-5821W
Model	Core i3 Model		
International Safety Standards			
Rated Input Voltage	DC Power Model: 24 Vdc ±20 % When using AC power supply unit : 100 to 240 Vac *1		DC Power Model: 24 Vdc ±20 % (M12 A-coding, 8-pin Female)
Power Consumption	28 W (Max 60 W)	18 W (Max 60 W)	35 W (Max 60 W)
In-Rush Current	7 A		
Surrounding Air Temperature	When using SSD/CFast running : 0 to 50 °C [32 to 131 °F] When using HDD running : 0 to 45 °C [32 to 113 °F]		
Storage Temperature	-20 to 60 °C [-4 to 140 °F]		
Ambient Humidity	10 to 95 % RH (Wet Bulb Temperature: 40 °C [104 °F] max. - No Condensation)		
Storage Humidity	10 to 95 % RH (Wet Bulb Temperature: 40 °C [104 °F] max. - No Condensation)		
Pollution Degree	For use in pollution degree 2 environment		
Air Pressure (Altitude Range)	2,000 m [6,560 ft] max.		
Vibration Resistance	Operation for products with SSD or CF card storage device: 5 to 500 Hz: 2Grms Operation for products with HDD storage device: 5 to 500 Hz: 1Grms		
Concussion Resistance	IEC 60068-2-27 Ea Test		
Electromagnetic Compatibility (EMC)	Immunity to high frequency interference electromagnetic emissions class A		
Structure	IP66 front side of display	IP66 (All Around)	
Installation Configuration	Panel Mounting		VESA Mounting
Cooling Method	Passive Heat Sink		
Weight Approx.	7.0 kg [15.44 lb]	6.0 kg [13.22 lb]	8 kg [17.63 lb]
External Dimensions	W488 x H309 x D56.7mm [W19.21 x H12.17 x D2.23 in.]	W419.7 x H269 x D56.7mm [W16.52 x H10.59 x D2.23 in.]	W488 x H309 x D65mm [W19.21 x H12.17 x D2.56 in.]
Panel Cut Dimensions	W479.3 x H300.3mm	W412.4 x H261.7 mm	-

*1 For use at 100 to 240 Vac, an optional AC power supply unit (PFXZPSUAC3) that is separately sold is required.

Slim Type (Core i3 Model)

PS5000 SERIES

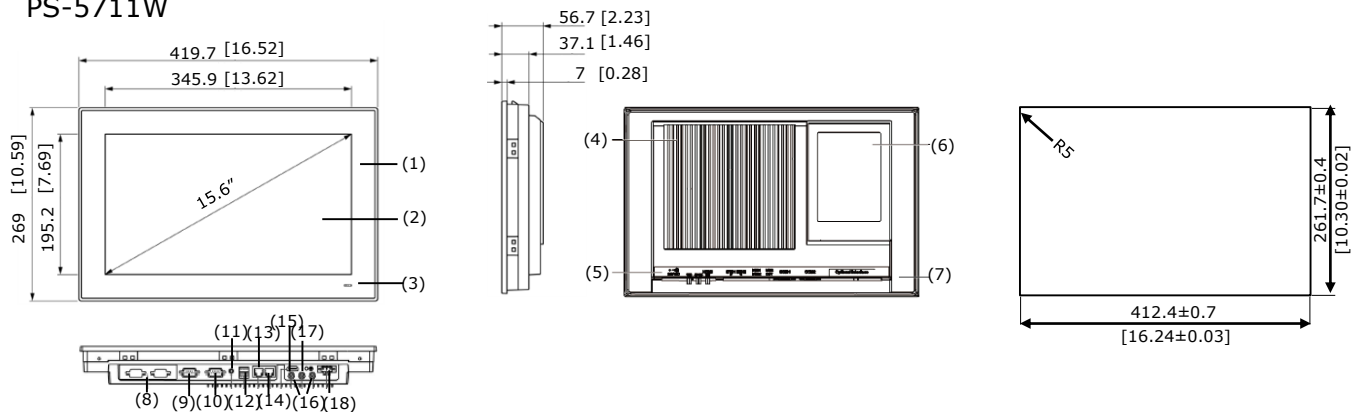
External Dimensions/Panel Cut Dimensions



<Descriptions>

- (1) Panel (2) Multi-touch panel (3) Status indicator (4) Heat sink (5) Slim Panel interface (6) Back cover for access mini PCIe, HDD /SSD, and CFast (7) Cover for access optional interface (8) 1 x optional interface (9) COM2, port RS-232 /422 / 485 (10) SMA connector for the wireless LAN external antenna (11) Audio line out (12) USB1 (USB 3.0) and USB2 (USB3.0) (13) ETH2 (10 / 100 / 1000 Mbit/s) (14) ETH1 (10 / 100 / 1000 Mbit/s) (15) SMA connector for the GPRS external antenna (use an extension cable to connect the external antenna when HDMI cable is connected) (16) Monitor / Panel, HDMI (17) COM1, port RS-232 (18) DC power connector

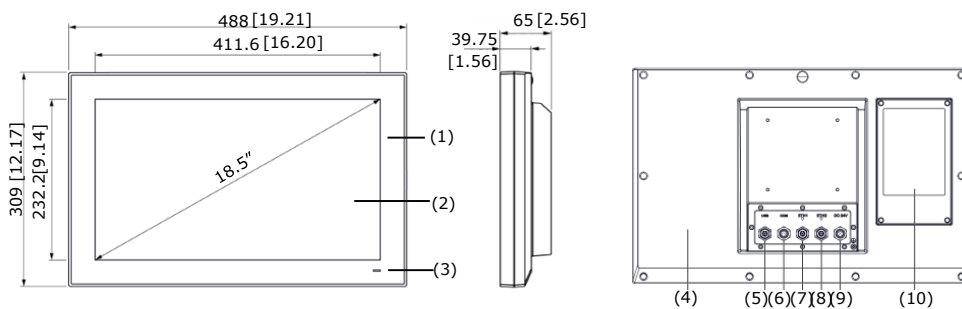
PS-5711W



<Descriptions>

- (1) Panel (2) Multi-touch panel (3) Status indicator (4) Heat sink (5) Slim Panel interface (6) Back cover for access mini PCIe, HDD /SSD, and CFast (7) Cover for access optional interface (8) 1 x optional interface (9) COM2, port RS-232 /422 / 485 (10) COM1 port RS-232 (11) Audio line out (12) USB1 (USB 3.0) and USB2 (USB3.0) (13) ETH2 (10 / 100 / 1000 Mbit/s) (14) ETH1 (10 / 100 / 1000 Mbit/s) (15) Monitor / Panel, HDMI (16) SMA connector for the wireless LAN external antenna (17) SMA connector for the GPRS external antenna (18) DC power connector

PS-5821W



<Descriptions>

- (1) Panel (2) Multi-touch panel (3) Status indicator (4) Cover (5) USB 2.0 with M12 connector 8-pin female (6) RS-232 with M12 connector 8-pin male (7) ETH1 10 / 100 / 1000 base-T with M12 connector 8-pin female (8) ETH2 10 / 100 / 1000 base-T with M12 connector 8-pin female (9) DC power with M12 connector 5-pin male (10) Back cover for access HDD / SSD

Slim Type (Atom Model)

PS5000SERIES

Functional Specification

	PS-5701W	PS-5501W
Model	Atom Model	
Display Size	15.6" (Wide 16:9)	10.1" (Wide 16:9)
Display Colors	16.7 million	267,000
Backlight	LED Life Span > 50,000 h @ 25 °C [77 °F]	LED Life Span > 25,000 h @ 25 °C [77 °F]
Brightness Control	Step Less Adjustment	
Supported OS	Windows® 7 Ultimate 64 bit MUI Windows® Embedded 8.1 Industry 64 bit MUI Windows® Embedded Standard 7 Premium 64 bit MUI	
CPU	Atom E3827, 1.75 GHz	
Main Memory	4 GB, DDR3L 1600 MHz, SO-DIMM SDRAM	
Graphics Accelerator	Intel® HD Graphics	
Video Memory	Up to 2 GB ,Shared System Memory	
Graphics	FWXGA TFT (1,366 x 768 Pixels)	WXGA TFT (1,280 x 800 Pixels)
Touch Panel Type	Capacitive Multi-touch 5 Simultaneous Touch (Projected Capacitive)	
Touch Panel Resolution	4,096 x 4,096	
Interface	Serial ATA	HDD or SSD x1 *2 CFast: x1
	Serial (COM1)	RS-232C (D-sub 9-pin, Plug)
	Serial (COM2)	RS-232C / 422 / 485 (D-sub 9-pin, Plug)
	Ethernet (LAN1)	10/100/1000 Mbit/s (RJ-45 Modular Jack)
	Ethernet (LAN2)	10/100/1000 Mbit/s (RJ-45 Modular Jack)
	USB	USB 3.0 x 1, USB 2.0 x 1 (Type A)
	Mini PCIe	x 1 (Revision 1.2) *2

*2 For use, an option unit (PFXZPSADSSD2) that is separately sold is required.

General Specification

	PS-5701W	PS-5501W
Model	Atom Model	
International Safety Standards		
Rated Input Voltage	DC Power Model: 24 Vdc ±20 % When using AC power supply unit : 100 to 240 Vac *3	
Power Consumption	18 W (Max 30 W)	12 W (Max 24 W)
In-Rush Current	7.5 A	
Surrounding Air Temperature	When using SSD/CFast running : 0 to 55 °C [32 to 131 °F] When using HDD running : 0 to 45 °C [32 to 113 °F]	
Storage Temperature	-20 to 60 °C [-4 to 140 °F]	
Ambient Humidity	10 to 95 % RH (Wet Bulb Temperature: 40 °C [104 °F] max. - No Condensation)	
Storage Humidity	10 to 95 % RH (Wet Bulb Temperature: 40 °C [104 °F] max. - No Condensation)	
Pollution Degree	For use in pollution degree 2 environment	
Air Pressure (Altitude Range)	2,000 m [6,560 ft] max.	
Vibration Resistance	Operation for products with SSD or CF card storage device: 5 to 500 Hz: 2Grms Operation for products with HDD storage device: 5 to 500 Hz: 1Grms	
Concussion Resistance	IEC 60068-2-27 Ea Test	
Electromagnetic Compatibility (EMC)	Immunity to high frequency interference electromagnetic emissions class A	
Structure	IP66 front side of display	
Installation Configuration	Panel Mounting or VESA Mounting*4	
Cooling Method	Passive Heat Sink	
Weight Approx.	3.9 kg [8.6 lb]	2.5 kg [5.51 lb]
External Dimensions	W419.7 x H269 x D61.9mm	W283.1 x H202.3 x D61.3mm
Panel Cut Dimensions	W412.4 x H261.7mm	W274.6 x H193.8mm

*3 For use at 100 to 240 Vac, an optional AC power supply unit (PFXZPSUAC2) that is separately sold is required.

*4 For VESA mounting, an optional VESA mounting kit (15.6": PFXZPSADVS152, 10.1": PFXZPSADVS102) that is separately sold is required.

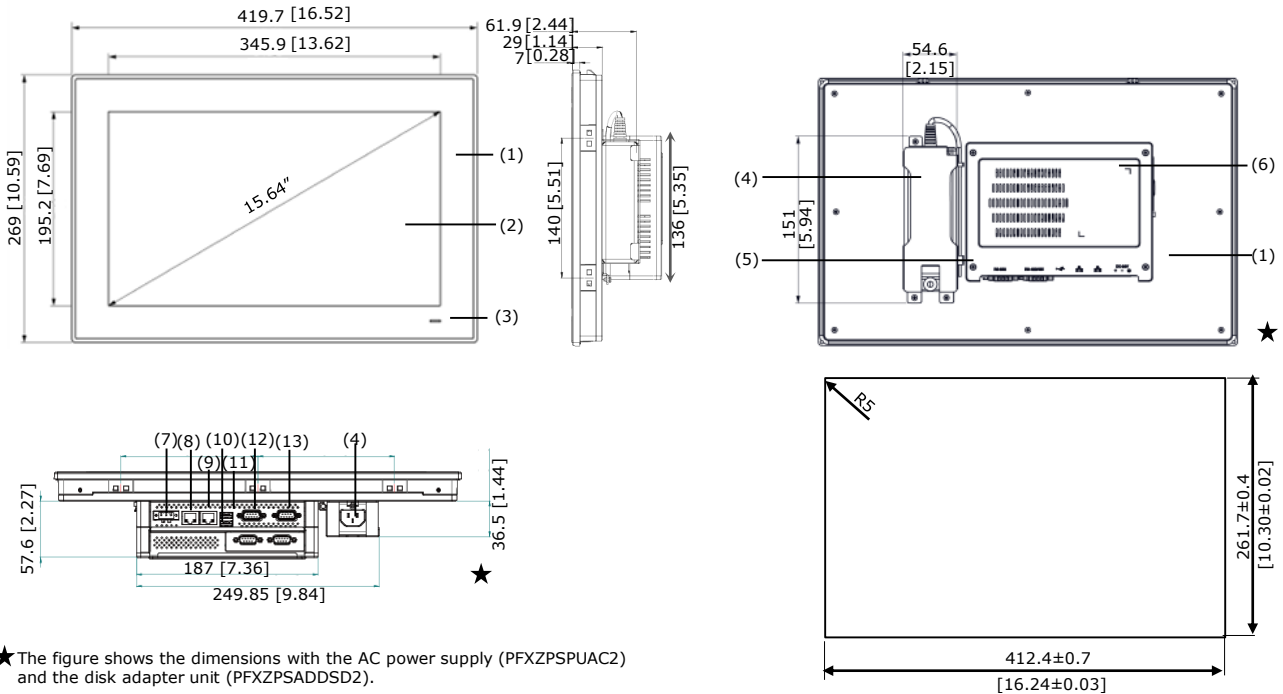
Slim Type (Atom Model)

PS5000SERIES

External Dimensions/Panel Cut Dimensions

PS-5701W

mm [in.]

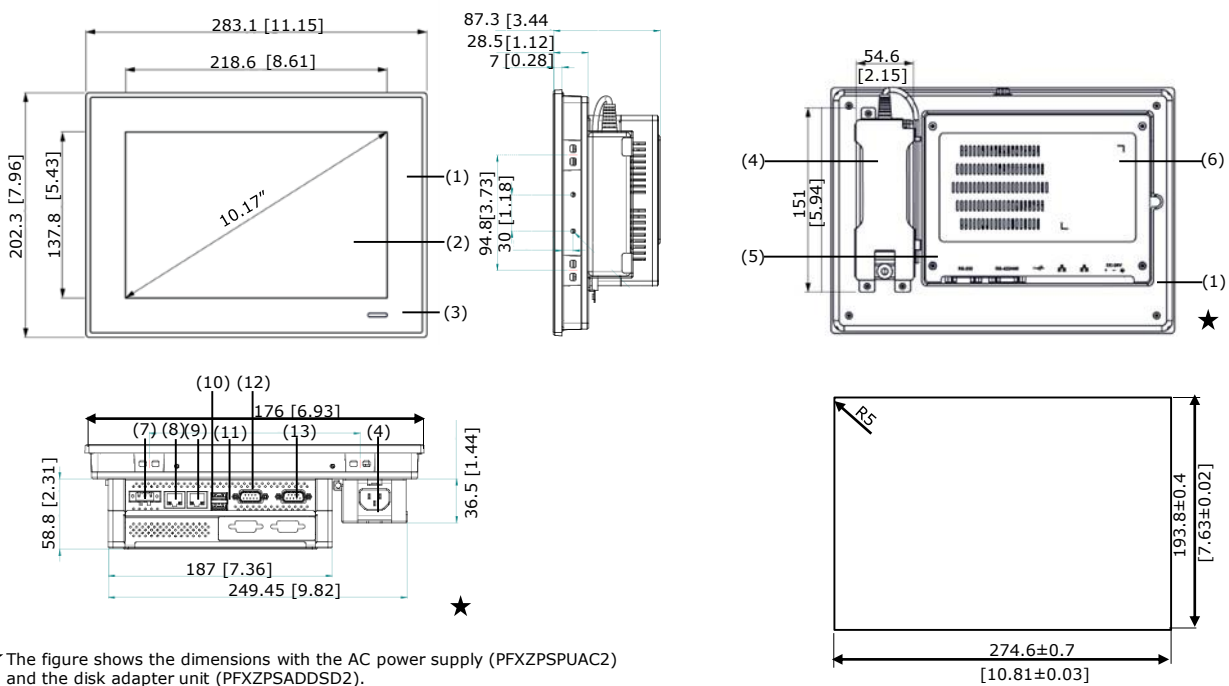


<Descriptions>

- (1) Panel (2) Multi-touch panel (3) Status indicator (4) Optional AC power supply (5) Slim Panel interface
- (6) Cover for access mini PCIe card and HDD / SSD drive (7) DC power connector (8) ETH2 (10 / 100 / 1000 Mbit/s)
- (9) ETH1 (10 / 100 / 1000 Mbit/s) (10) USB2 (USB 3.0) (11) USB1 (USB 2.0) (12) COM2 port RS-232 / 422 / 485 (13) COM1 port RS-232

PS-5501W

★The figure shows the dimensions with the AC power supply (PFXZPSUAC2) and the disk adapter unit (PFXZPSADSD2).



<Descriptions>

- (1) Panel (2) Multi-touch panel (3) Status indicator (4) Optional AC power supply (5) Slim Panel interface
- (6) Cover for access mini PCIe card and HDD / SSD drive (7) DC power connector (8) ETH2 (10 / 100 / 1000 Mbit/s)
- (9) ETH1 (10 / 100 / 1000 Mbit/s) (10) USB2 (USB 2.0) (11) USB1 (USB 3.0) (12) COM2 port RS-232 / 422 / 485 (13) COM1 port RS-232

Modular Type (Core i7 Model)

PS5000 SERIES



Functional Specification

	PS-5900W	PS-5800W	PS-5700W	PS-5700T
Model	Core i7 Model			
Display Size	21.5" (Wide 16:9)	18.5" (Wide 16:9)	15.6" (Wide 16:9)	15" (Square 4:3)
Display Colors	16.7 Million			
Backlight	LED Life Span > 50,000 h @ 25 °C [77 °F]			
Brightness Control	Step Less Adjustment			
Supported OS	Windows® 7 Ultimate 64 bit MUI Windows® Embedded 8.1 Industry 64 bit MUI Windows® Embedded Standard 7 Premium 64 bit MUI			
CPU	Intel® Core i7-4650U 1.7 Ghz			
Main Memory	8 GB or 16 GB, DDR3L 1600 MHz, SO-DIMM SDRAM 512 KB MRAM for the user			
Graphics Accelerator	Intel® HD Graphics 5000			
Video Memory	Up to 2 GB ,Shared System Memory			
Graphics	Full HD TFT (1,920 x 1,080 Pixels)	FWXGA TFT (1,366 x 768 Pixels)		XGA TFT (1,024 x 768 Pixels)
Touch Panel Type	Capacitive multi-touch 5 simultaneous touch (projected capacitive)			Resistive single touch
Touch Panel Resolution	4,096 x 4,096			2,048 x 2,048
Interface	Serial ATA	HDD or SSD x2 *5 CFast x1 mSATA x1		
	Serial (COM1)	RS-232C/422/485 (D-Sub 9-pin, plug)		
	Ethernet (LAN1)	10/100/1000 Mbit/s (RJ-45 Modular jack)		
	Ethernet (LAN2)	10/100/1000 Mbit/s (RJ-45 Modular jack)		
	USB	USB 3.0 x 2, USB 2.0 x 2 (Type A)		USB 3.0 x 2, USB 2.0 x 2 USB 2.0 (front) (Type A)
	Video	Display Port (Type A) x 1		
	Mini PCIe	x 2 (revision 1.2)		
	Expansion Slot*6	"PCIe (x1) x 1 + PCIe (x4) x 1" or "PCI x 2" or "PCI x 1 + PCIe (x4) x 1"		

*5 For use, an option unit (PFXZPBADHDD2) that is sold is required. separately

*6 2 slot model only

General Specification

	PS-5900W	PS-5800W	PS-5700W	PS-5700T
Model	Core i7 Model			
International Safety Standards				
Rated Input Voltage	DC Power Model: 24 Vdc ±20 % When using AC power supply unit : 100 to 240 Vac *7			
Power Consumption	30.5 W (Max 50.7W)	28.4 W (Max 48.1 W)	27.1 W (Max 46.1 W)	25.9 W (Max 44.9 W)
In-Rush Current	8.9 A			
Surrounding Air Temperature	When using SSD/CFast running : 0 to 55 °C [32 to 131 °F] When using HDD running : 0 to 45 °C [32 to 113 °F] When using 2x mPCI + Display module : 0 to 45 °C [32 to 113 °F] When using PCI/PCIe : 0 to 45 °C [32 to 113 °F]			
Storage Temperature	-30 to 70 °C [-22 to 158 °F]			
Ambient Humidity	10 to 95 % RH (Wet Bulb Temperature: 40 °C [104 °F] max. - No Condensation)			
Storage Humidity	10 to 95 % RH (Wet Bulb Temperature: 40 °C [104 °F] max. - No Condensation)			
Pollution Degree	For use in pollution degree 2 environment			
Air Pressure (Altitude Range)	2,000 m [6,560 ft] max.			
Vibration Resistance	Operation for products with SSD or CF card storage device: 5 to 500 Hz: 2Grms Operation for products with HDD storage device: 5 to 500 Hz: 1Grms			
Concussion Resistance	IEC 60068-2-27 Ea Test			
Electromagnetic Compatibility (EMC)	Immunity to high frequency interference electromagnetic emissions class A			
Structure	IP66 front side of display			
Installation Configuration	Panel Mounting or VESA Mounting *8			
Cooling Method	Passive Heat Sink *The operating temperature is limited to 45 °C and the cooling FAN is required for PCI/PCIe cards installed on board with power consumption from 3 W to 6 W max. for two cards or 10 W maximum for one card.			
Weight Approx.	Slot: 9.7 kg [21.3 lbs] 2 Slot: 10.5 kg [23.1 lbs]	0 Slot: 8.3 kg [18.3 lbs] 2 Slot: 9.1 kg [20.1 lbs]	0 Slot: 7.4 kg [16.3 lbs] 2 Slot: 8.2 kg [18.1 lbs]	0 Slot: 7.3 kg [16 lbs] 2 Slot: 8.1 kg [17.8 lbs]
External Dimensions	0 Slot : W558.4 x H349.8 x D93.2 mm [W21.98x H13.77 x D3.67 in.] 2 Slot : W558.4 x H349.8 x D131.2 mm [W21.98x H13.77 x D5.16 in.]	0 Slot : W488.3 x H309 x D93.2 mm [W19.21 x H12.17 x D3.67 in.] 2 Slot : W488 x H309 x D131.2 mm [W19.21 x H12.17 x D5.16 in.]	0 Slot : W419.7 x H269 x D93.2 mm [W16.52 x H10.59 x D3.67 in.] 2 Slot : W419.7 x H269 x D131.2 mm [W16.52 x H10.59 x D5.16 in.]	0 Slot : W390.7 x H290 x D93.2 mm [W15.38 x H11.42 x D3.67 in.] 2 Slot : W390.7 x H290 x D131.2 mm [W15.38 x H11.42 x D5.16 in.]
Panel Cut Dimensions	W550.3 x H341.8 mm [W21.66 x H13.45 in.]	W479.3 x H300.3 mm [W18.87 x H11.82 in.]	W412.4 x H261.7 mm [W16.24 x H10.30 in.]	W383.5 x H282.5 mm [W15.09 x H11.12 in.]

*7 For use at 100 to 240 Vac, an optional AC power supply unit (PFXZBPBUAC2) that is separately sold is required.

*8 For VESA mounting, an optional VESA mounting kit (0 slot: PFXZPBADVS02, 2 slot: PFXZPBADVS22) that is separately sold is required.

Modular Type (Celeron Model)

PS5000SERIES


Functional Specification

	PS-5900W	PS-5800W	PS-5700W	PS-5700T
Model	Celeron Model			
Display Size	21.5" (Wide 16:9)	18.5" (Wide 16:9)	15.6" (Wide 16:9)	15" (Square 4:3)
Display Colors	16.7 Million			
Backlight	LED Life span > 50,000 h @ 25 °C [77 °F]			
Brightness Control	Step Less Adjustment			
Supported OS	Windows® 7 Ultimate 64 bit MUI Windows® Embedded 8.1 Industry 64 bit MUI Windows® Embedded Standard 7 Premium 64 bit MUI			
CPU	Celeron 2980U 1.6 GHz			
Main Memory	4 GB or 8 GB, DDR3L 1600 MHz, SO-DIMM SDRAM 512 KB MRAM for the user			
Graphics Accelerator	Intel® HD Graphics			
Video Memory	Up to 2 GB ,Shared System Memory			
Graphics	Full HD TFT (1,920 x 1,080 Pixels)	FWXGA TFT (1,366 x 768 Pixels)		XGA TFT (1,024 x 768 Pixels)
Touch Panel Type	Capacitive Multi-touch 5 Simultaneous Touch (Projected Capacitive)			Resistive Single-touch
Touch Panel Resolution	4,096 x 4,096			2,048 x 2,048
Interface	Serial ATA	HDD or SSD x2 *5 CFast x1 mSATA x1		
	Serial (COM1)	RS-232C/422/485 (D-sub 9-pin, Plug)		
	Ethernet (LAN1)	10/100/1000 Mbit/s (RJ-45 Modular Jack)		
	Ethernet (LAN2)	10/100/1000 Mbit/s (RJ-45 Modular Jack)		
	USB	USB 3.0 x 2, USB 2.0 x 2 (Type A)		USB 3.0 x 2, USB 2.0 x 2, USB 2.0 x 1 (Front) (Type A)
	Video	Display Port (Type A) x 1		
	Mini PCIe	x 2 (Revision 1.2)		
Expansion Slot *6	"PCIe (x1) x 1 + PCIe (x4) x 1" or "PCI x 2" or "PCI x 1 + PCIe (x4) x 1"			

*5 For use, an option unit (PFXZPBADHDD2) that is separately sold is required.

*6 2 slot model only

General Specification

	PS-5900W	PS-5800W	PS-5700W	PS-5700T
Model	Celeron Model			
International Safety Standards				
Rated Input Voltage	DC Power Model: 24 Vdc ±20 % When using AC power supply unit : 100 to 240 Vac *7			
Power Consumption	29.9 W (Max 45.2 W)	27.9 W (Max 43.1 W)	26.6 W (Max 40.9 W)	25.5 W (Max 39.9 W)
In-Rush Current	8.9 A			
Surrounding Air Temperature	When using SSD/CFast running : 0 to 55 °C [32 to 131 °F] When using HDD running : 0 to 45 °C [32 to 113 °F] When using 2x mPCI + Display module : 0 to 45 °C [32 to 113 °F] When using PCI/PCIe : 0 to 45 °C [32 to 113 °F]			
Storage Temperature	-30 to 70 °C [-22 to 158 °F]			
Ambient Humidity	10 to 95 % RH (Wet Bulb Temperature: 40 °C [104 °F] max. - No Condensation)			
Storage Humidity	10 to 95 % RH (Wet Bulb Temperature: 40 °C [104 °F] max. - No Condensation)			
Pollution Degree	For use in pollution degree 2 environment			
Air Pressure (Altitude Range)	2,000 m [6,560 ft] max.			
Vibration Resistance	Operation for products with SSD or CF card storage device: 5 to 500 Hz: 2Grms Operation for products with HDD storage device: 5 to 500 Hz: 1Grms			
Concussion Resistance	IEC 60068-2-27 Ea Test			
Electromagnetic Compatibility (EMC)	Immunity to high frequency interference electromagnetic emissions class A			
Structure	IP66 front side of display			
Installation Configuration	Panel Mounting or VESA Mounting *8			
Cooling Method	Passive Heat Sink *The operating temperature is limited to 45 °C and the cooling FAN is required for PCI/PCIe cards installed on board with power consumption from 3 W to 6 W maximum .for two cards or 10 W maximum for one card			
Weight Approx.	0 Slot: 9.7 kg [21.3 lb] 2 Slot: 10.5 kg [23.1 lb]	0 Slot: 8.3 kg [18.3 lb] 2 Slot: 9.1 kg [20.1 lb]	0 Slot: 7.4 kg [16.3 lb] 2 Slot: 8.2 kg [18.1 lb]	0 Slot: 7.3 kg [16 lb] 2 Slot: 8.1 kg [17.8 lb]
External Dimensions	0 Slot : W558.4 x H349.8 x D93.2 mm [W21.98x H13.77 x D3.67 in.] 2 Slot : W558.4 x H349.8 x D131.2 mm [W21.98x H13.77 x D5.16 in.]	0 Slot : W488.3 x H309 x D93.2 mm [W19.21 x H12.17 x D3.67 in.] 2 Slot : W488 x H309 x D131.2 mm [W19.21 x H12.17 x D5.16 in.]	0 Slot : W419.7 x H269 x D93.2 mm [W16.52 x H10.59 x D3.67 in.] 2 Slot : W419.7 x H269 x D131.2 mm [W16.52 x H10.59 x D5.16 in.]	0 Slot : W390.7 x H290 x D93.2 mm [W15.38 x H11.42 x D3.67 in.] 2 Slot : W390.7 x H290 x D131.2 mm [W15.38 x H11.42 x D5.16 in.]
Panel Cut Dimensions	W550.3 x H341.8 mm [W21.66 x H13.45 in.]	W479.3 x H300.3 mm [W18.87 x H11.82 in.]	W412.4 x H261.7 mm [W16.24 x H10.3 in.]	W383.5 x H282.5 mm [W15.09 x H11.12 in.]

*7 For use at 100 to 240 Vac, an optional AC power supply unit (PFXZPBPUAC2) that is separately sold is required.

*8 For VESA mounting, an optional VESA mounting kit (0 slot: PFXZPBADVS02, 2 slot: PFXZPBADVS22) that is separately sold is required.

BOX Type (Core i7 / Celeron Model)

PS5000SERIES



Functional Specification

		PS-5000B	
Model	Core i7 Model	Celeron Model	
OS	Windows® 7 Ultimate 64 bit MUI Windows® Embedded 8.1 Industry 64 bit MUI Windows® Embedded Standard 7 Premium 64 bit MUI		
CPU	Core i7-4650U 1.7 GHz	Celeron 2980U 1.6 GHz	
Main Memory	8 GB or 16 GB, DDR3 1600 MHz, SO-DIMM SDRAM 512 KB MRAM for the user	4 GB or 8 GB, DDR3 1600 MHz, SO-DIMM SDRAM 512 KB MRAM for the user	
Graphics Accelerator	Intel® HD Graphics 5000	Intel® HD Graphics	
Video Memory	Up to 2 GB ,Shared System Memory		
Graphics	Up to Full HD (1,920 x 1,080 Pixels)		
Interface	Serial ATA	HDD or SSD x2 *5 CFast x1 mSATA x1	
	Serial (COM1)	RS-232C/422/485 (D-sub 9-pin, Plug)	
	Ethernet (LAN1)	10/100/1000 Mbit/s (RJ-45 Modular Jack)	
	Ethernet (LAN2)	10/100/1000 Mbit/s (RJ-45 Modular Jack)	
	USB	USB 3.0 x 2, USB 2.0 x 2 (Type A)	
	Video	Display Port (Type A) x 2	
	Mini PCIe	Mini PCIe x 1 (Revision1.2)	
	Expansion Slot *6	"PCIe (x1) x 1 + PCIe (x4) x 1" or "PCI x 2" or "PCI x 1 + PCIe (x4) x 1"	

*5 For use, an option unit (PFXZPBADHDD2) that is separately sold is required.

*6 2 slot model only

General Specification

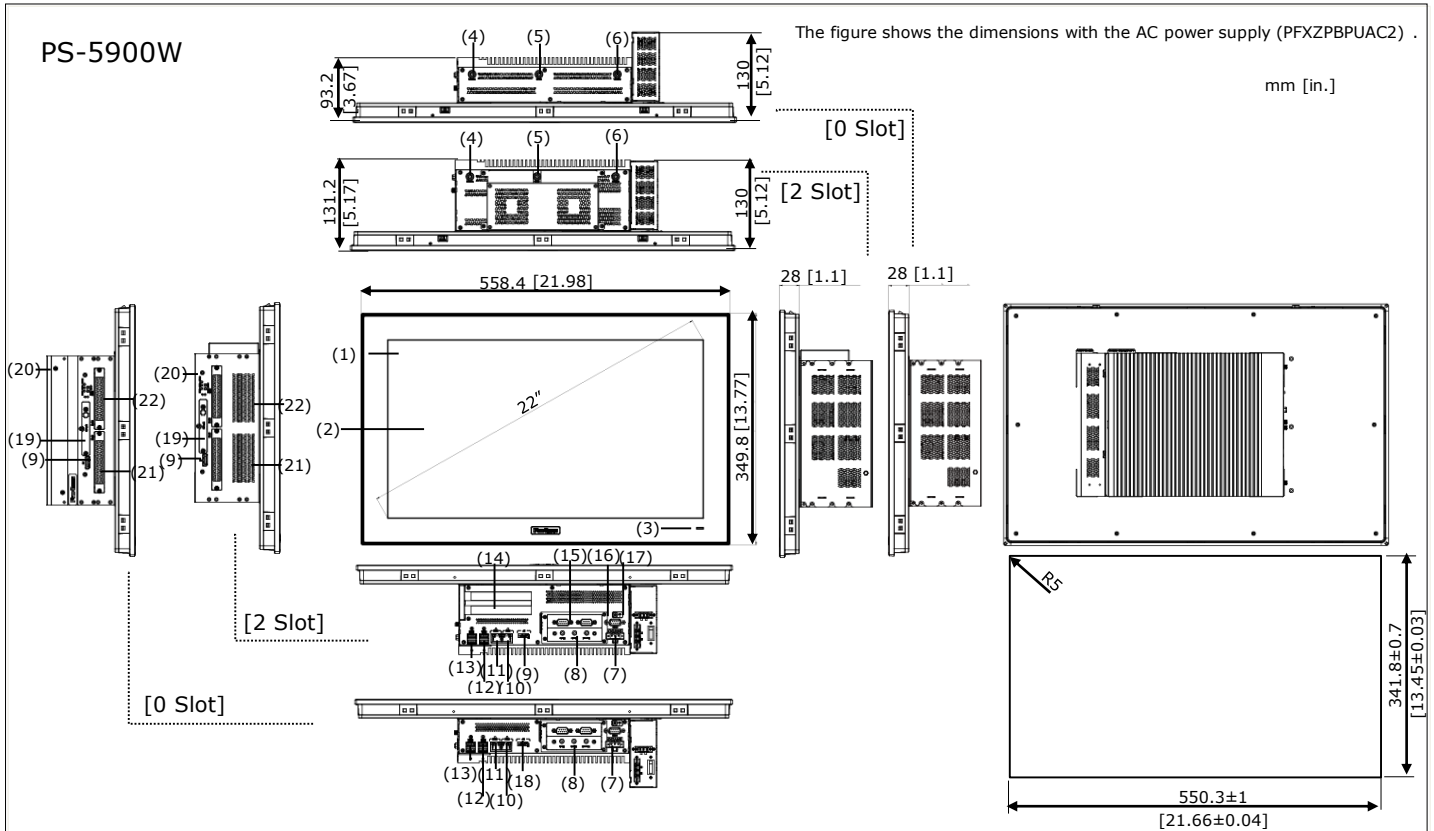
		PS-5000B	
Model	Core i7 Model	Celeron Model	
International Safety Standards			
Rated Input Voltage	DC Power Model: 24 Vdc ±20 % When using AC power supply unit : 100 to 240 Vac *7		
Power Consumption	18 W (Max 40 W)		
In-Rush Current	8.9 A		
Surrounding Air Temperature	When using SSD/CFast running : 0 to 55 °C [32 to 131 °F] When using HDD running : 0 to 45 °C [32 to 113 °F] When using PCI/PCIe : 0 to 45 °C [32 to 113 °F]		
Storage Temperature	-30 to 70 °C [-22 to 158 °F]		
Ambient Humidity	10 to 95 % RH (Wet Bulb Temperature: 40 °C [104 °F] max. - No Condensation)		
Storage Humidity	10 to 95 % RH (Wet Bulb Temperature: 40 °C [104 °F] max. - No Condensation)		
Pollution Degree	For use in pollution degree 2 environment		
Air Pressure (Altitude Range)	2,000 m [6,560 ft] max.		
Vibration Resistance	Operation for products with SSD or CF card storage device: 5 to 500 Hz: 2Grms Operation for products with HDD storage device: 5 to 500 Hz: 1Grms		
Concussion Resistance	IEC 60068-2-27 Ea Test		
Electromagnetic Compatibility (EMC)	Immunity to high frequency interference electromagnetic emissions class A		
Cooling Method	Passive Heat Sink		
Weight Approx.	0-Slot: 3.1 kg [6.8 lb] 2-Slot: 3.9 kg [8.6 lb]		
External Dimensions	0-Slot: W65.2 x H207 x D254 mm [W2.57 x H8.15 x D10 in.] 2-Slot: W103.2 x H207 x D254 mm [W4.06 x H8.15 x D10 in.]		

*7 For use at 100 to 240 Vac, an optional AC power supply unit (PFXZPBPUAC2) that is separately sold is required.

Modular Type

PS5000 SERIES

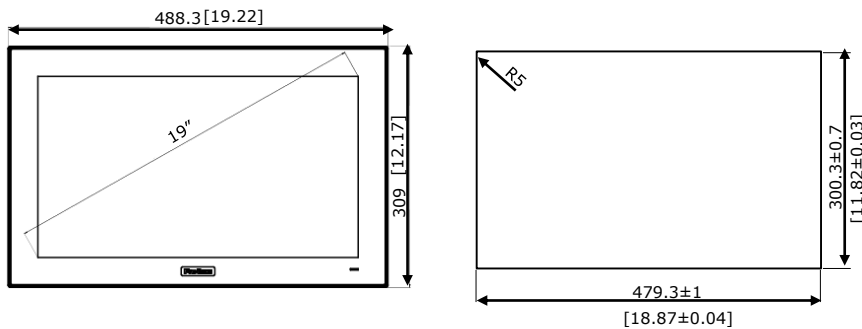
External Dimensions/Panel Cut Dimensions



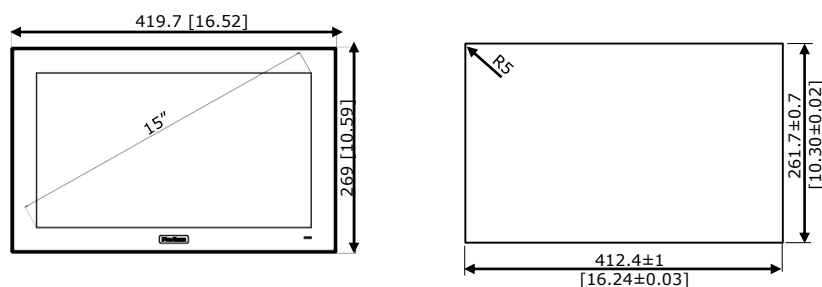
<Descriptions>

- (1) Panel (2) Multi-touch panel (3) Status indicator (4) SMA connector for the wireless LAN external antenna (5) SMA connector for the GPRS external antenna (6) SMA connector for the wireless LAN external antenna (7) DC power connector (8) Optional interface1 (9) Display Port 2 (10) ETH1 (10 / 100 / 1000 Mbit/s) IEEE 1588 (11) ETH2 (10 / 100 / 1000 Mbit/s) IEEE 1588 (12) USB1 and USB2 (USB 3.0) (13) USB3 and USB4 (USB 2.0) (14) PCI or PCIe (peripheral component interconnect express) slots (15) Optional interface 2 (16) COM1 port RS-232 / RS-422 / RS485 (isolated) (17) Ground connection pin (18) Display Port 1 (19) Side-in CFast slot (20) LEDs and power / reset button (21) HDD / SSD 1 (RAID configuration) (22) HDD / SSD 2 (RAID configuration)

PS-5800W



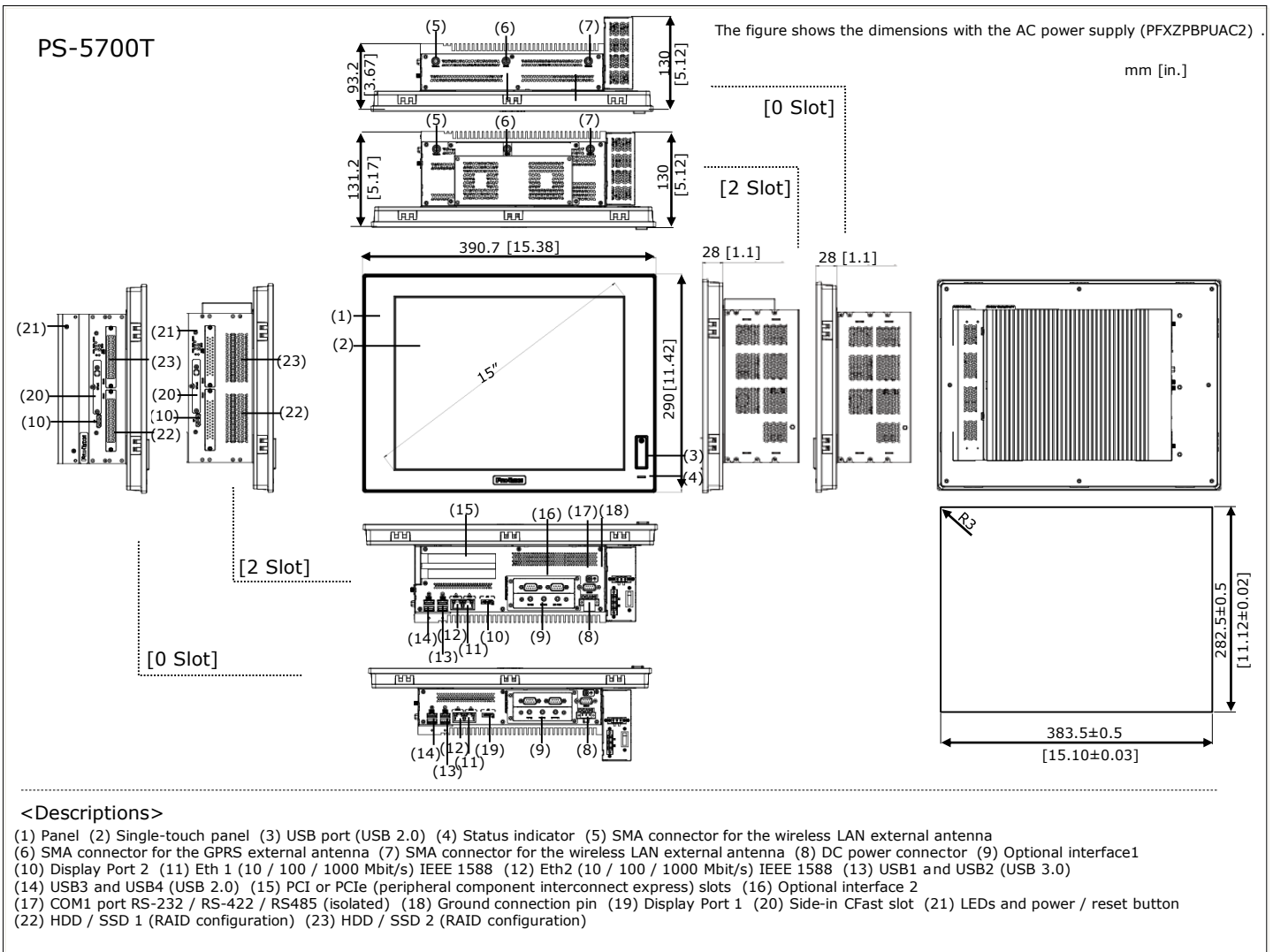
PS-5700W



Modular Type

PS5000SERIES

External Dimensions/Panel Cut Dimensions



BOX Type

PS5000SERIES

External Dimensions/Panel Cut Dimensions

