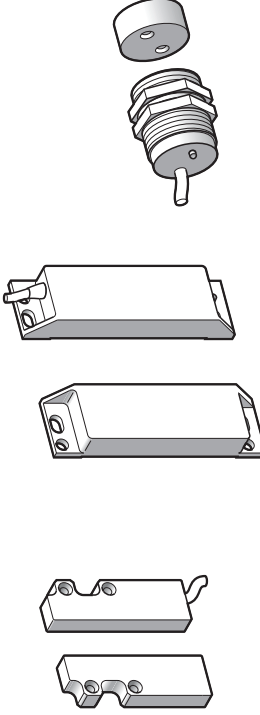


References, characteristics

Safety detection solutions

Coded magnetic switches
Plastic, pre-cabled

Type	Rectangular Compact 51 x 16 x 7	Standard 88 x 25 x 13	Cylindrical Diameter 30 Length 38.5
-------------	--	---------------------------------	--



References of switches (1) Δ must be used in conjunction with safety modules XPS (see page 76)

Contact states shown are with the magnet positioned in front of the switch

2-pole 1 NC + 1 NO (staggered)		XCSDMC5902	XCSDMP5902	XCSDMR5902
2-pole 2 NC (2) (staggered)		XCSDMC7902	XCSDMP7902	XCSDMR7902
3-pole 1 NC + 2 NO (1 NO staggered)		-	XCSDMP5002	-
3-pole 2 NC + 1 NO (2) (1 NC staggered)		-	XCSDMP7002	-
2-pole 1 NC + 1 NO (staggered)		XCSDMC5912	XCSDMP5912	XCSDMR5912
2-pole 2 NC (2) (staggered)		XCSDMC7912	-	XCSDMR7912
3-pole 1 NC + 2 NO (1 NO staggered)		-	XCSDMP5012	-
3-pole 2 NC + 1 NO (2) (1 NC staggered)		-	XCSDMP7012	-
Weight (kg)		0.101	0.180	0.146

(1) Magnetic switch + coded magnet (XCSCZC●●●●).

Switch pre-cabled with 2 m long cable. For other cable lengths, replace the last number of the reference (2) by 5 for a 5 m long cable or by 10 for a 10 m long cable.

Example: rectangular, compact switch with 1 NC + 1 NO contacts and 10 m cable becomes XCSDMC59010.

(2) Only to be wired in conjunction with an XPSAF module (see page 77).

Complementary characteristics not shown under general characteristics (page 69)

Operating zone	Sao: 5 mm Sar: 15 mm	Sao: 8 mm Sar: 20 mm	Sao: 8 mm Sar: 20 mm
Approach directions	3 directions	3 directions	1 direction

Accessories (page 72)

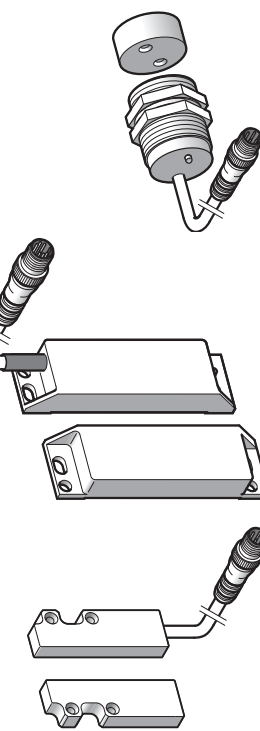
Dimensions:
page 74

References, characteristics

Safety detection solutions

Coded magnetic switches
Plastic, connector on flying lead

Type	Rectangular Compact 51 x 16 x 7	Standard 88 x 25 x 13	Cylindrical Diameter 30 Length 38.5
-------------	--	---------------------------------	--



References of switches (1) Δ must be used in conjunction with safety modules XPS (see page 76)

Contact states shown are with the magnet positioned in front of the switch

2-pole 1 NC + 1 NO (staggered)		XCSDMC590L01M8	XCSDMP590L01M12	XCSDMR590L01M12
2-pole 2 NC (2) (staggered)		XCSDMC790L01M8	XCSDMP790L01M12	XCSDMR790L01M12
3-pole 1 NC + 2 NO (1 NO staggered)		-	XCSDMP500L01M12	-
3-pole 2 NC + 1 NO (2) (1 NC staggered)		-	XCSDMP700L01M12	-
2-pole 1 NC + 1 NO (staggered)		XCSDMC591L01M8	XCSDMP591L01M12	XCSDMR591L01M12
2-pole 2 NC (2) (staggered)		XCSDMC791L01M8	XCSDMP791L01M12	XCSDMR791L01M12
3-pole 1 NC + 2 NO (NO staggered)		-	XCSDMP501L01M12	-
3-pole 2 NC + 1 NO (2) (NC staggered)		-	XCSDMP701L01M12	-
Weight (kg)		0.101	0.180	0.146

(1) Magnetic switch + coded magnet (XCSCZC●●●●).

(2) Only to be wired in conjunction with an XPSAF module (see page 77).

Complementary characteristics not shown under general characteristics (page 69)

Operating zone	Sao: 5 mm Sar: 15 mm	Sao: 8 mm Sar: 20 mm	Sao: 8 mm Sar: 20 mm
Approach directions	3 directions	3 directions	1 direction

Accessories (page 72)

Dimensions:
page 74