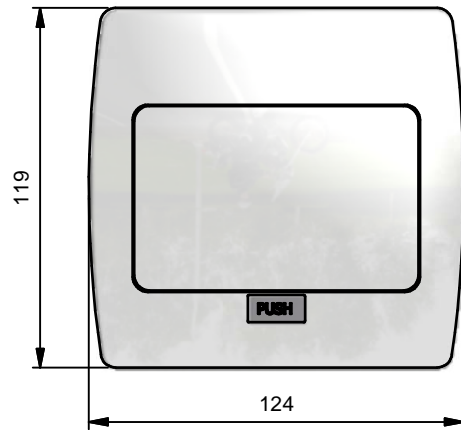
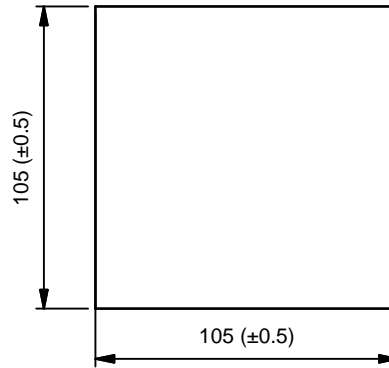


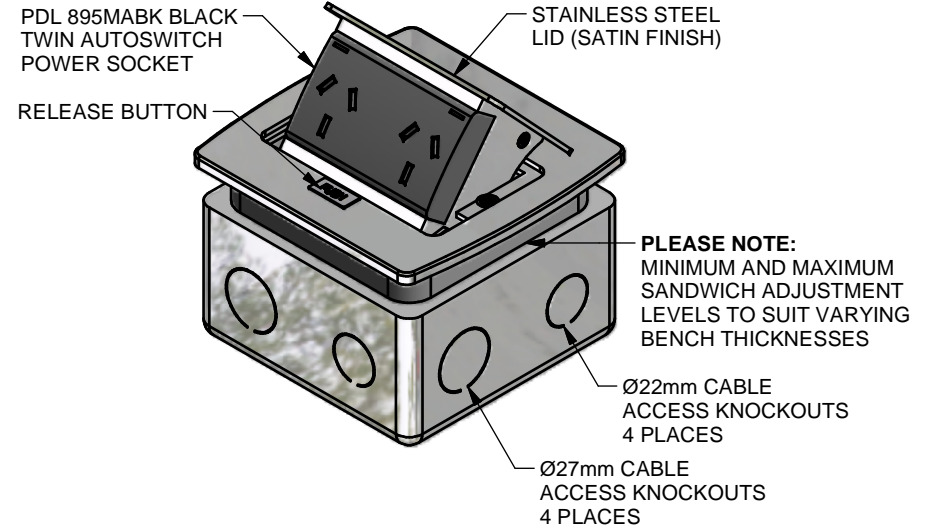
### TOP VIEW



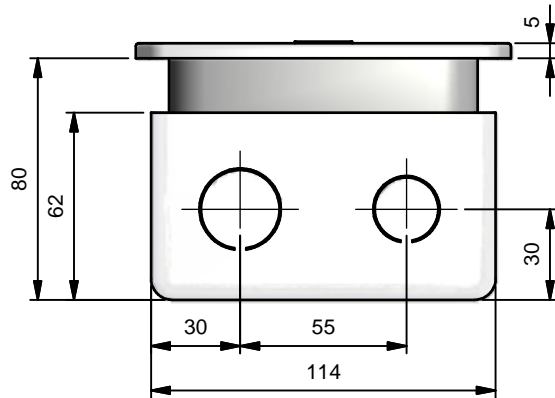
### BENCH CUTOUT SIZE



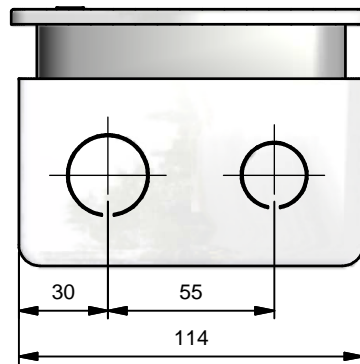
### ISOMETRIC VIEW



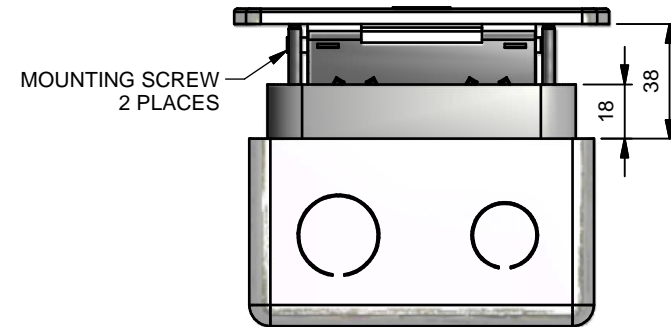
### FRONT VIEW



### SIDE VIEW



### LID ADJUSTMENT



## INFORMATION

Project: MODULINE STANDARD PRODUCTS - SOHO  
 Title: SERIES SB-IP-2PSS SPRING LOADED POP UP BOX  
 WITH STAINLESS STEEL LID (1xTWIN POWER OUTLET)

Material/Treatment:

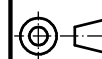
DIMENSIONS IN MM.  
 © COPYRIGHT

#### Tolerance

- 0 DP ± 1.00mm
- 1 DP ± 0.25mm
- 2 DP ± 0.10mm



A4



83-89 QUEENS PDE TEL: 1300 2025 25  
 NORTH FITZROY, FAX: +61 3 9480 0193  
 VIC, 3072 ABN: 42 004 969 304

Drawn By: MT

Drawn: 19/02/2009

Drawing Issue: 1

Chk/Appr: CH

Issued: 19/02/2009

CAD Revision: 1

Drawing Number:

**SB-IP-2PSS-INFO**