



Distribution Board

Installation Instructions

56CB13



For your safety

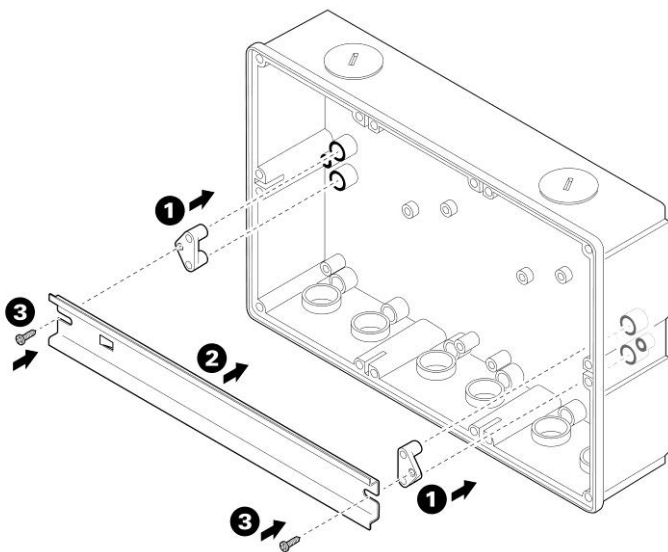
⚠ ⚠ DANGER

HAZARD OF ELECTRIC SHOCK, EXPLOSION OR ARC FLASH

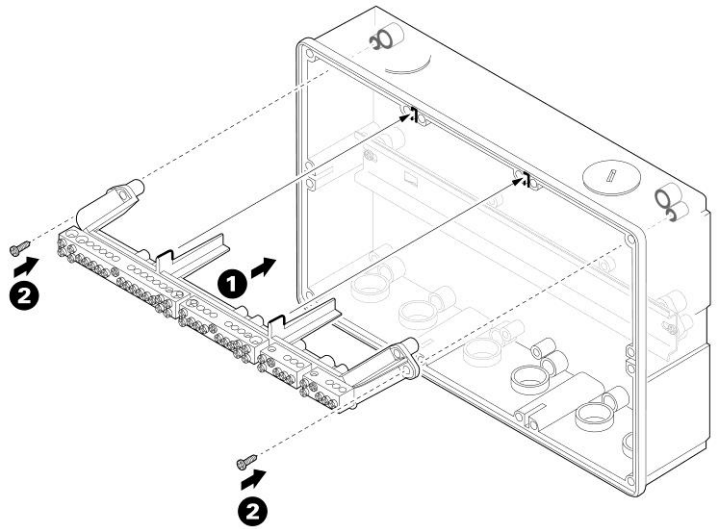
- This product must only be installed and serviced by appropriately qualified and/or licensed electrical personnel.
- Isolate the electrical supply before doing any work on this equipment.
- Ensure that the product has been correctly installed and tested for safe operation before reconnecting the electrical supply.

Failure to follow these instructions will result in death or serious injury.

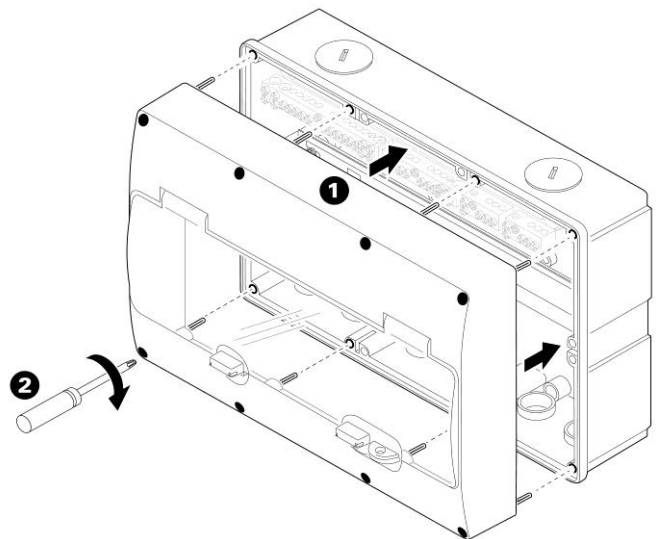
Installing the DIN rail



Installing the Neutral/Earth bar



Installing the distribution board cover



Customer care

Warranty information (Australia)

We warrant this product for 3 years—visit <https://www.schneider-electric.com.au/en/about-us/legal/terms-and-conditions.jsp> for details.

Our goods also come with guarantees that cannot be excluded under the Australian Consumer Law. You are entitled to a replacement or refund for a major failure and compensation for any other reasonably foreseeable loss or damage. You are also entitled to have the goods repaired or replaced if the goods fail to be of acceptable quality and the failure does not amount to a major failure.

Warranty information (New Zealand)

We warrant this product for 3 years—visit <https://www.schneider-electric.co.nz/en/about-us/legal/terms-and-conditions.jsp> for details.

Schneider Electric (Australia) Pty Ltd

Customer Care: 1300 369 233

Email: customer-care.au@schneider-electric.com

www.schneider-electric.com.au

Schneider Electric (NZ) Ltd

Customer Care: 0800 652 999

Email: sales@nz.schneider-electric.com

www.schneider-electric.com

Schneider Electric reserves the right to change specifications, modify designs and discontinue items without incurring obligation and whilst every effort is made to ensure that descriptions, specifications and other information in this catalogue are correct, no warranty is given in respect thereof and the company shall not be liable for any error therein.

© Schneider Electric 2018

This material is copyright under Australian, New Zealand and international laws. Except as permitted under the relevant law, no part of this work may be reproduced by any process without prior written permission of and acknowledgement to Schneider Electric.