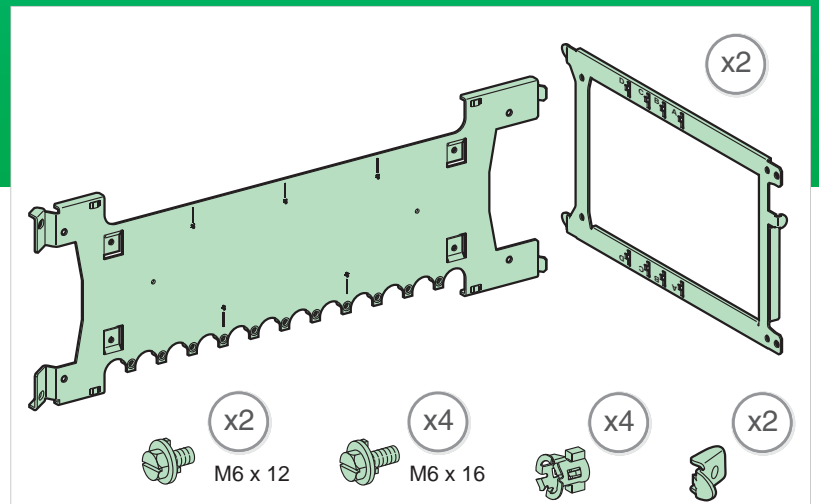
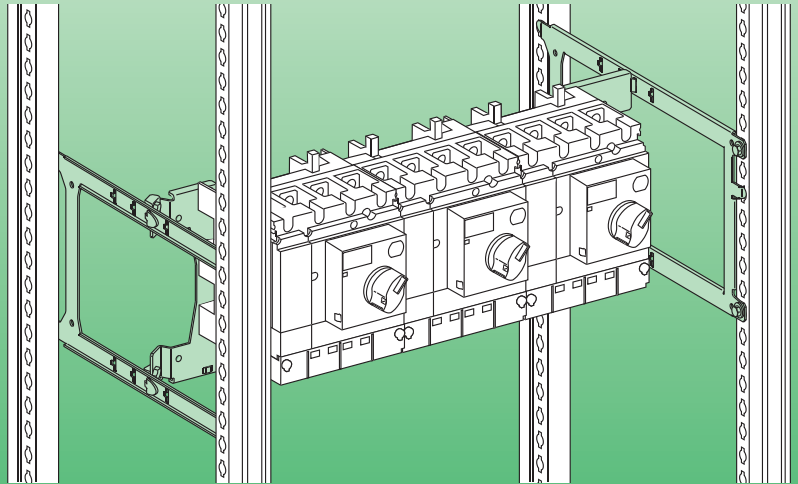
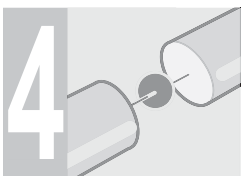
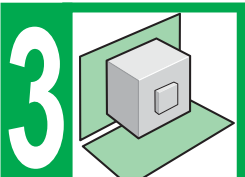


03423

Prisma Plus



50 mm

1M

50 mm

2M

50 mm

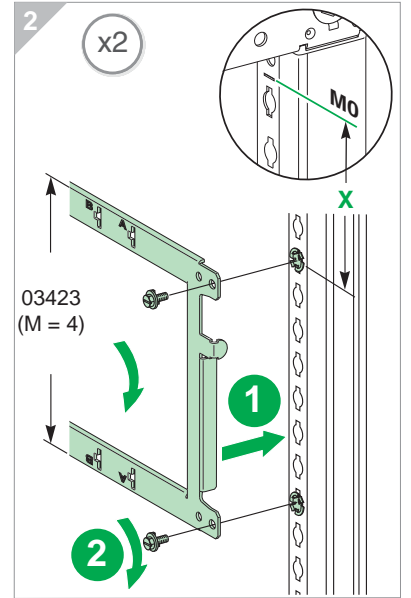
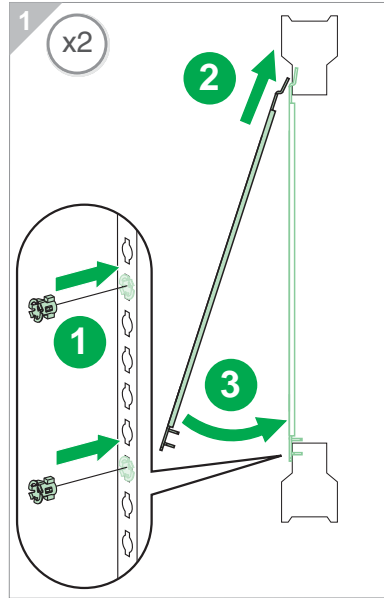
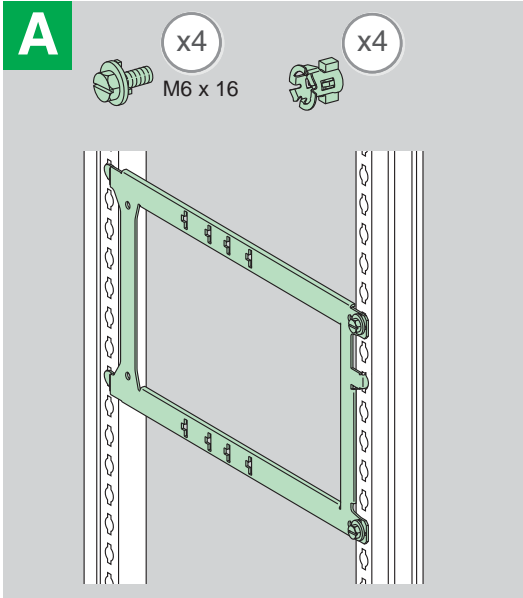
3M

50 mm

4M

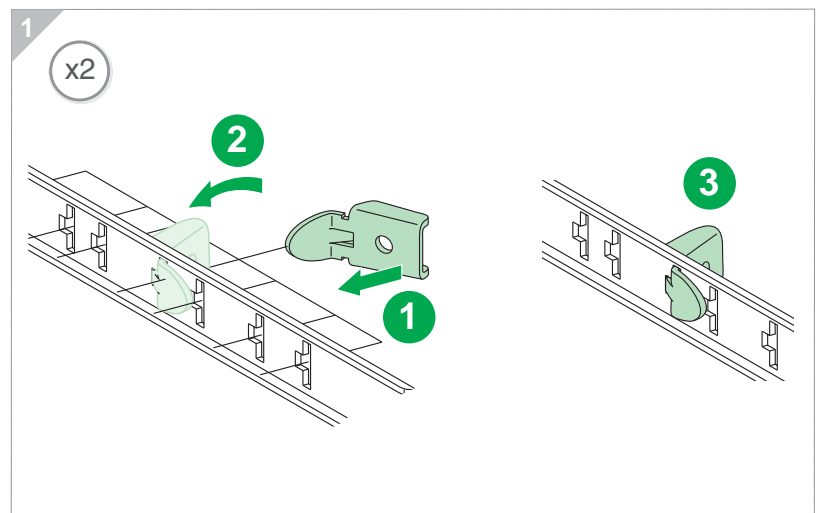
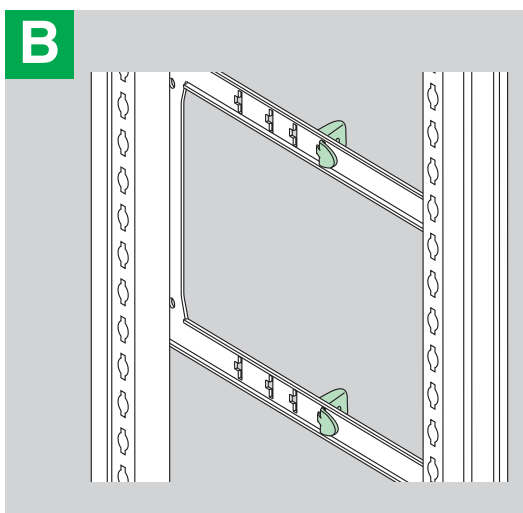
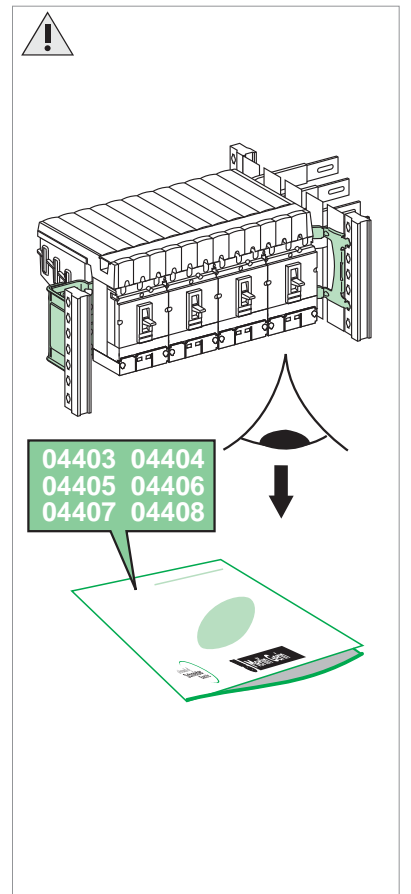
50 mm

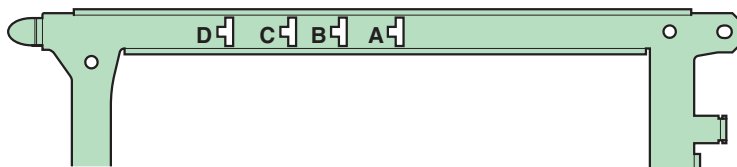
5M



i

	X M		X M			X M		X M	
	187,5	9	87,5	7		187,5	11	87,5	9
	187,5	10	62,5	8		187,5	12	87,5	10
	187,5	9	62,5	7		187,5	11	87,5	9
	187,5	10	62,5	8		187,5	12	87,5	10



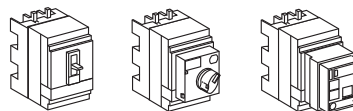


NSX100/160/250 3P
Vigi NSX100/160/250 3P

A

B

C

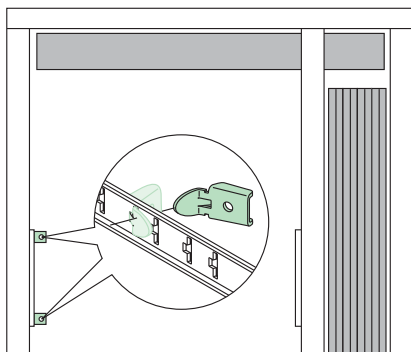
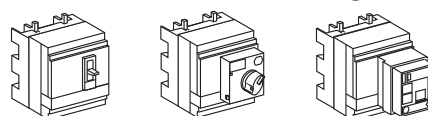


NSX100/160/250 4P
Vigi NSX100/160/250 4P

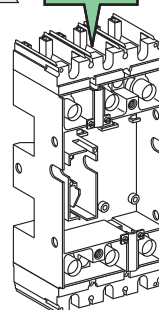
A

B

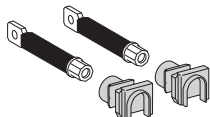
C



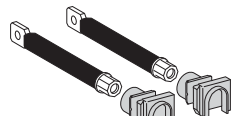
29306
29307



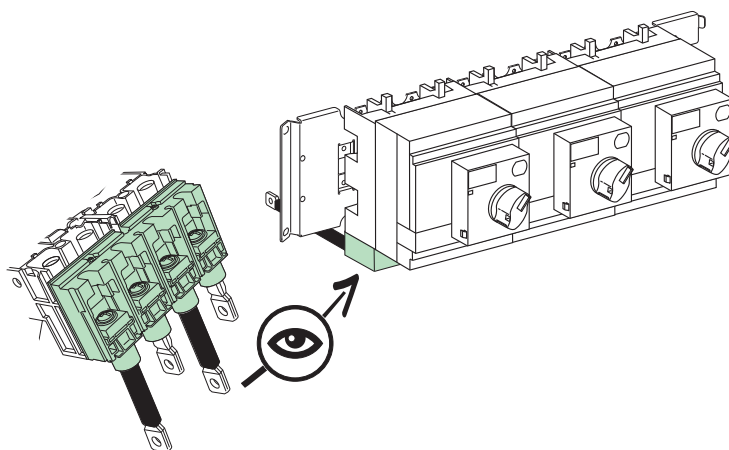
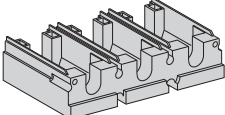
29235



29236



29306/29307



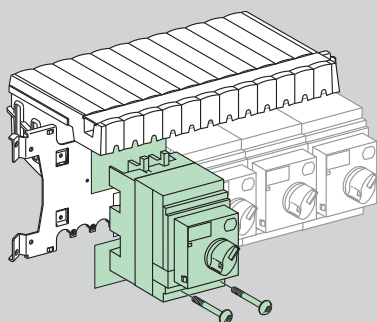
NSX100/160/250 3P

2 x 29235 +
29236 + 29306

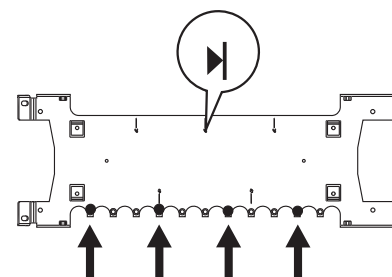
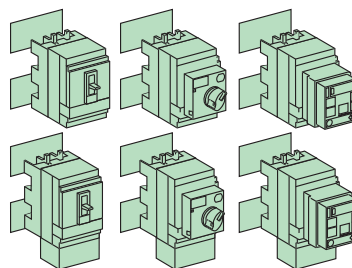
NSX100/160/250 4P

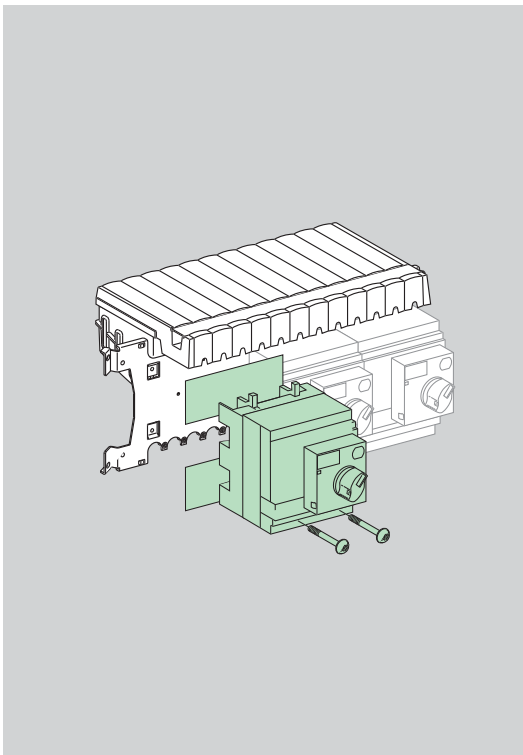
2 x 29235 +
2 x 29236 + 29307

C

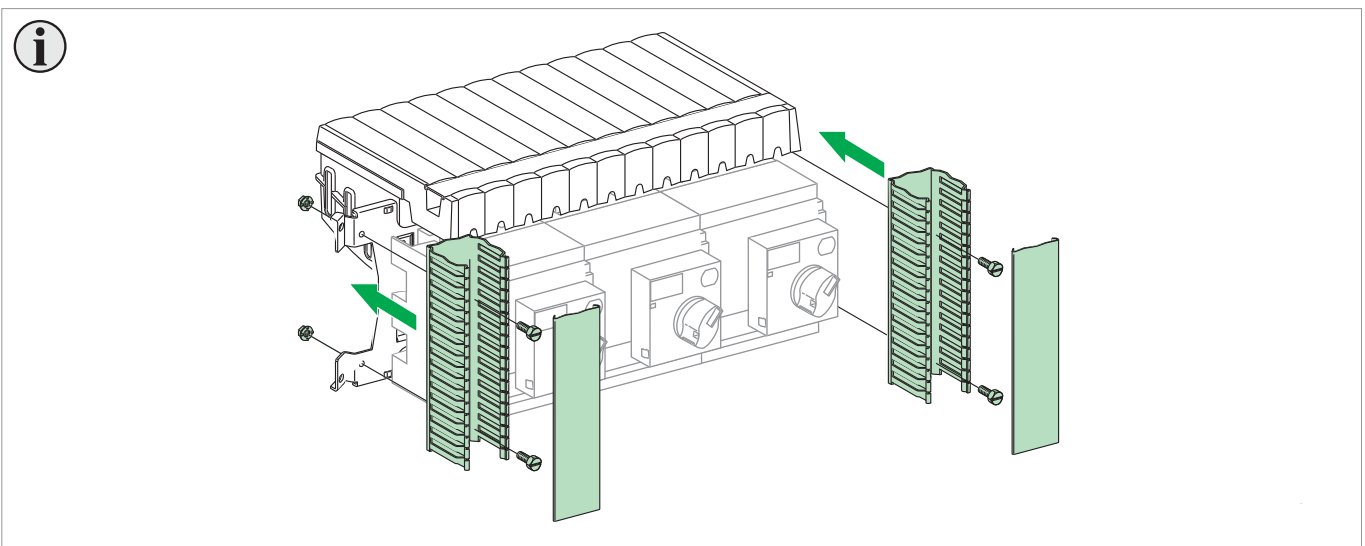
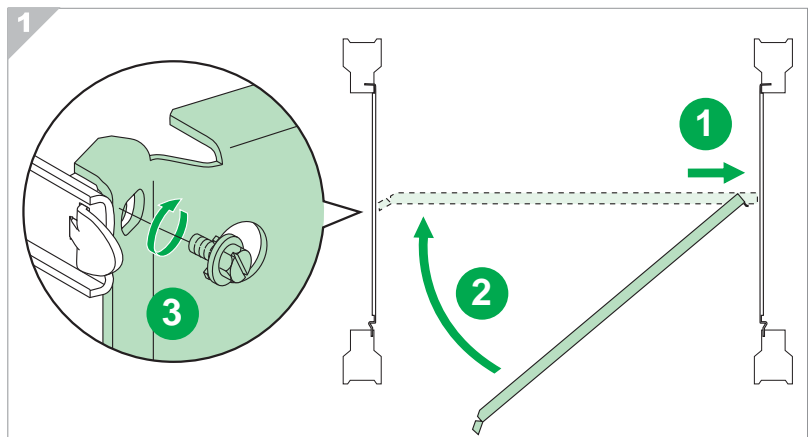
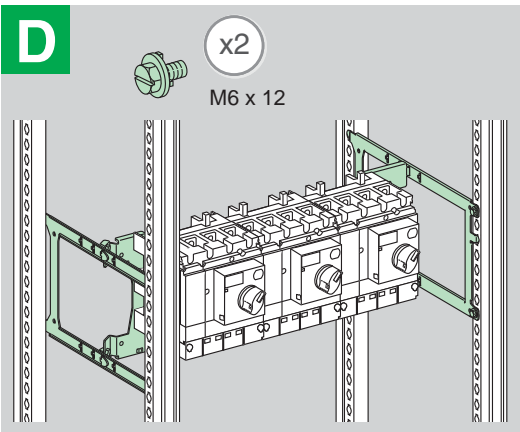
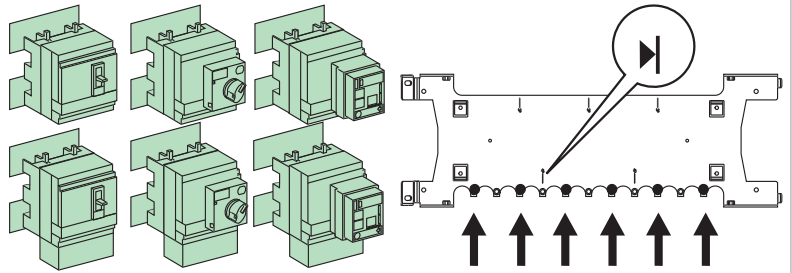


NSX100/160/250 3P
Vigi NSX100/160/250 3P





i NSX100/160/250 4P
Vigi NSX100/160/250 4P



Schneider Electric Industries SAS

35, rue Joseph Monier
CS 30323
F - 92506 Rueil Malmaison Cedex

RCS Nanterre 954 503 439
Capital social 896 313 776 €
www.schneider-electric.com

04696411 AB 04

As standards, specifications and designs change from time to time, please ask for confirmation of the information given in this publication.

Printed on recycled paper.

Design: Schneider Electric
Realisation: Ameg
Printed: Coquand
Format de pliage : 105 x 297