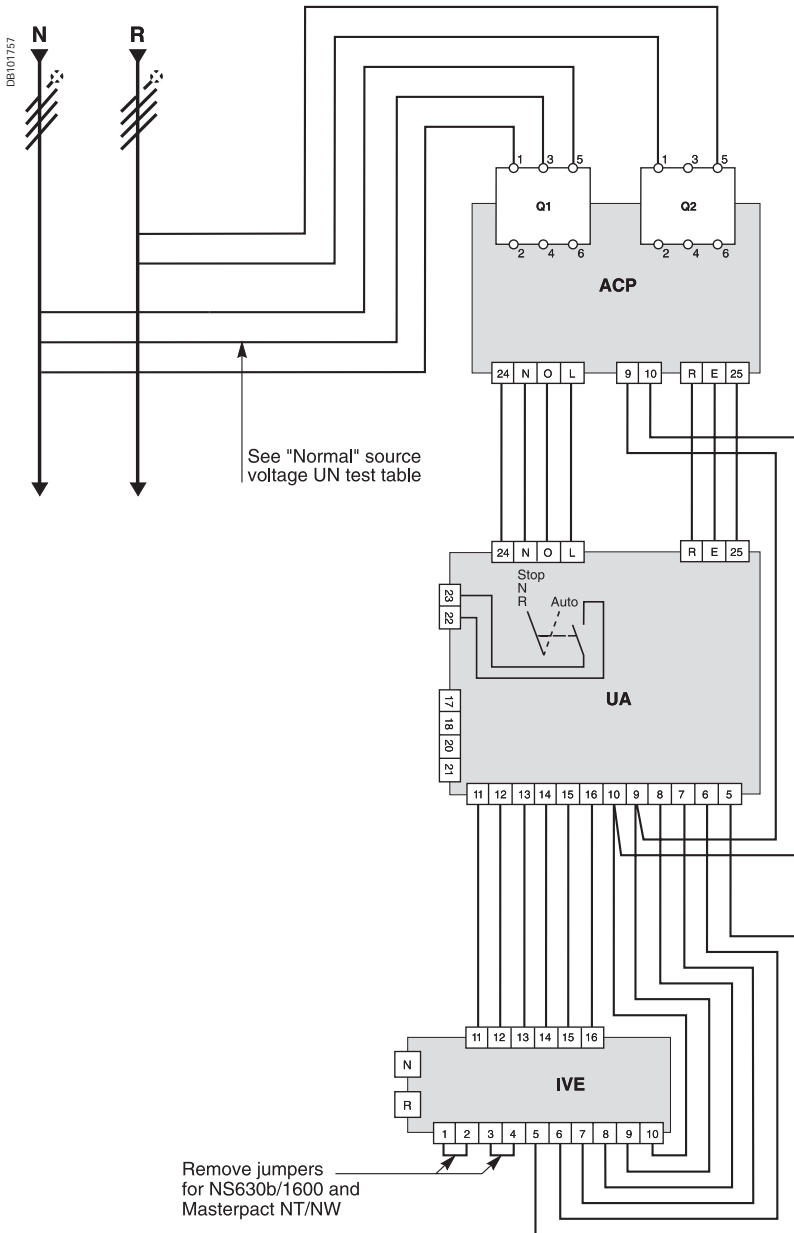


# Source-changeover systems with automatic controllers

## 2 Compact NS100/1600 or Masterpact NT/NW devices

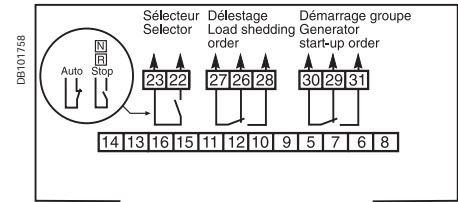
### Source-changeover system with UA controller



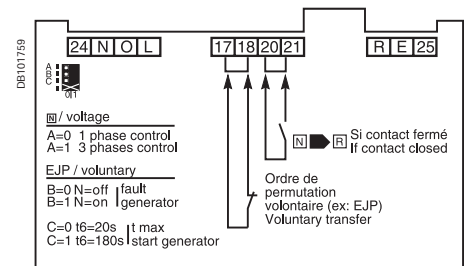
See "Normal" source voltage UN test table

Remove jumpers for NS630b/1600 and Masterpact NT/NW

#### Load shedding and genset management



#### Transfer conditions



**Terminals 20 and 21:** additional control contact (not part of controller).

#### Tests on "Normal" and "Replacement" source voltages

"Normal" source voltage UN test

Ref. UA	29472 29474	29472 29474	29473 29475
Supply voltage	N / φ 220/240VAC 50/60Hz	φ / φ 220/240VAC 50/60Hz	φ / φ 380/415VAC 50/60Hz 440V - 60Hz
Switch position			
A = 0			
A = 1			

#### "Replacement" source voltage UR test

The single-phase check for UR is implemented across terminals 1 and 5 of circuit breaker Q2.

#### Legends

- Q1** circuit breaker supplying and protecting the automatic-control circuits for the "Normal" source
- Q2** circuit breaker supplying and protecting the automatic-control circuits for the "Replacement" source
- ACP** auxiliaries control plate
- UA** automatic controller
- IVE** electrical interlocking and terminal block unit

#### Note:

diagram shown with circuits de-energised, circuit breakers open and relays in normal position.