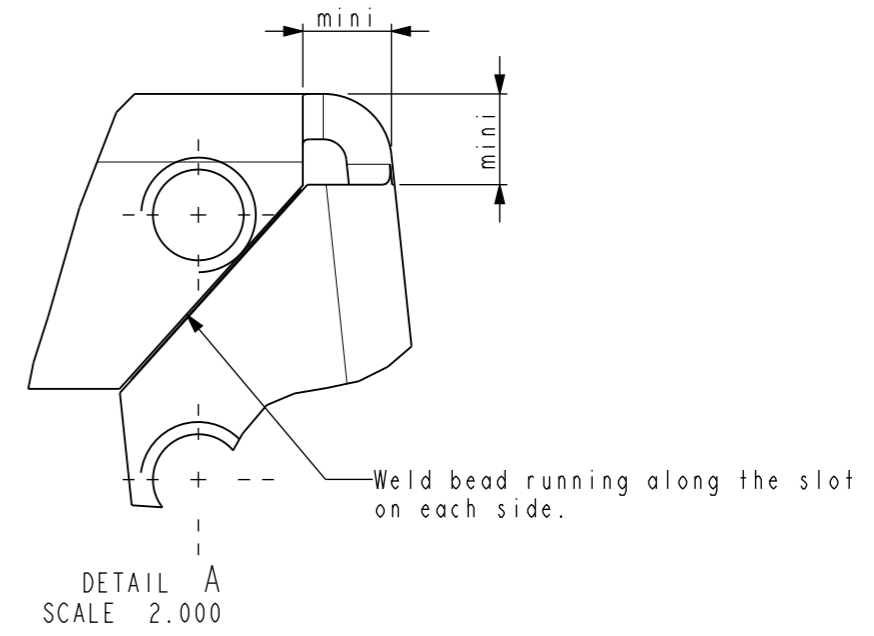
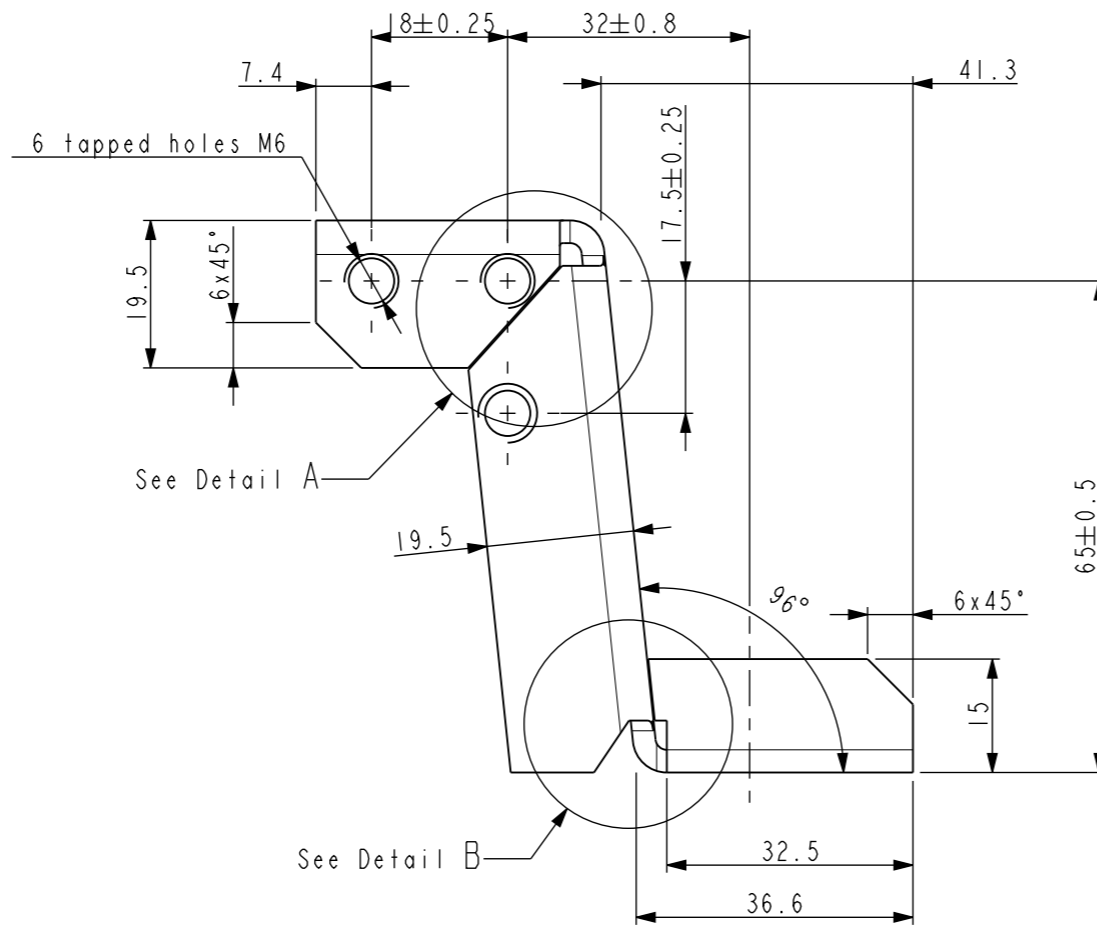
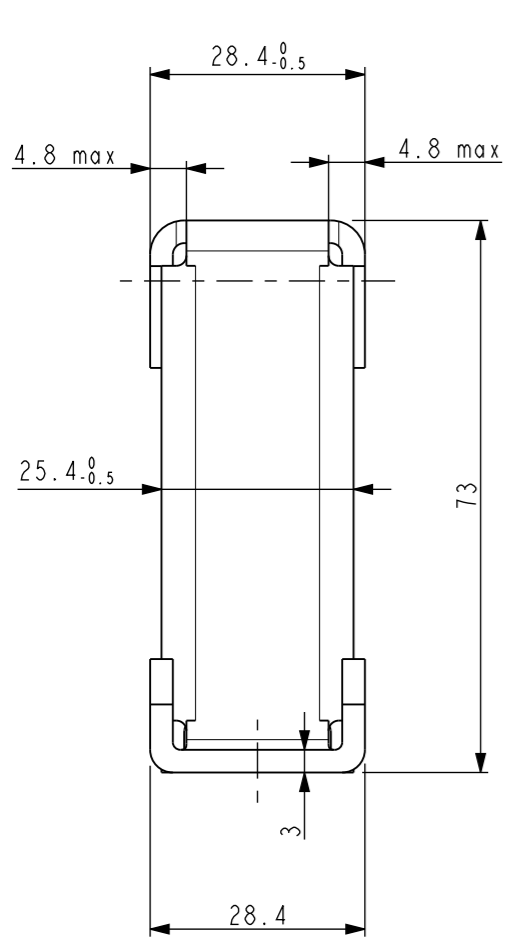


A

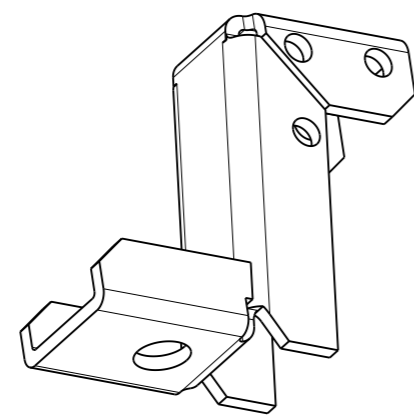
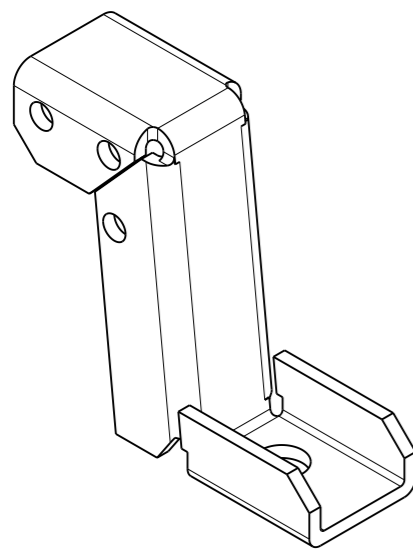
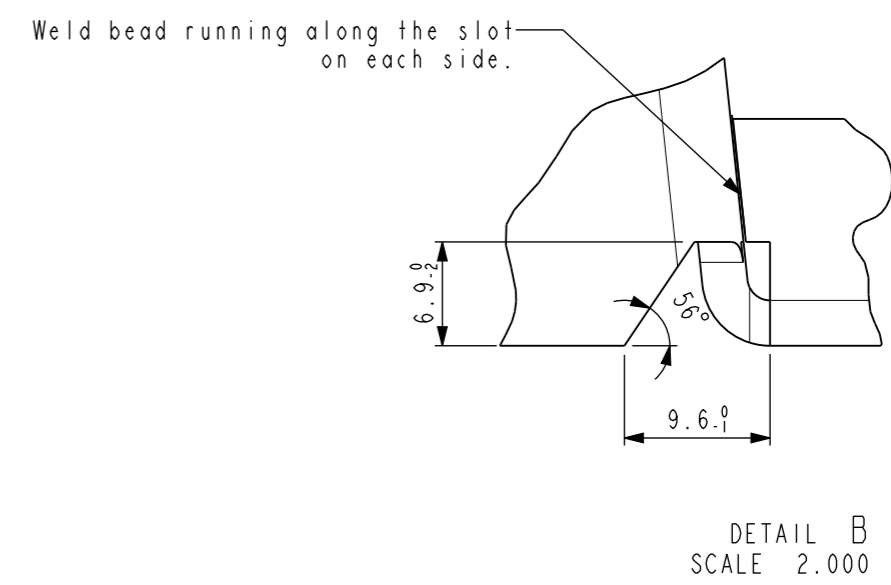
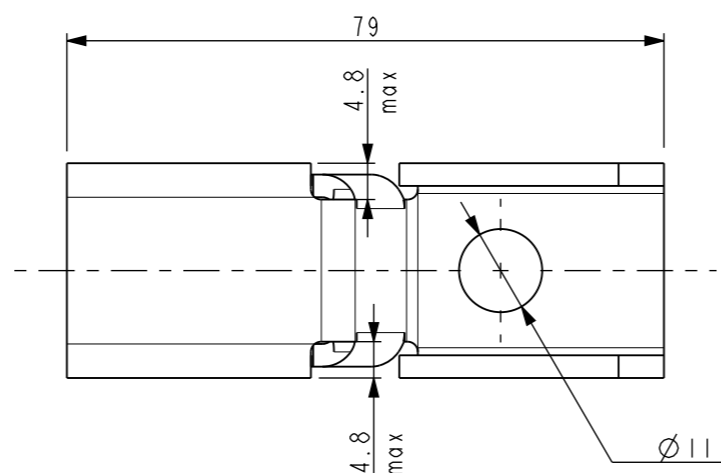


B

A

C

B



SCALE 0.700

SCALE 0.700

D

	Scale: 1.000 Tolerancing Standard: NF E 02-352 n ISO 8015- ISO 1101	Units of measure: Millimeter
	<b>FRAME STFFNER FOR PRISMA P SISMIC</b> RENFORT D'OSSATURE POUR PRISMA SISMIC	
Number:	<b>EAV8117002</b>	Revision: 00 Sheet: 1/1
<small>The information is highly confidential and is the exclusive property of Schneider Electric copyright reserved. This drawing must not be used for any purpose other than that expressly permitted in writing by the owners and must not be disclosed or reproduced in any way without permission from the owners in writing. This drawing must be returned to the owners when the purpose has ceased.</small>		State: Validated for Tooling Printed on 2014/10/08