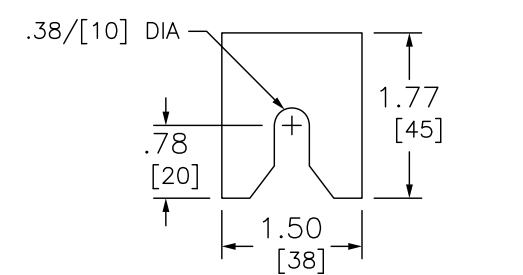
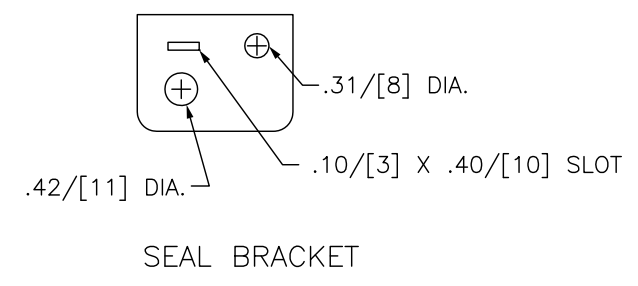
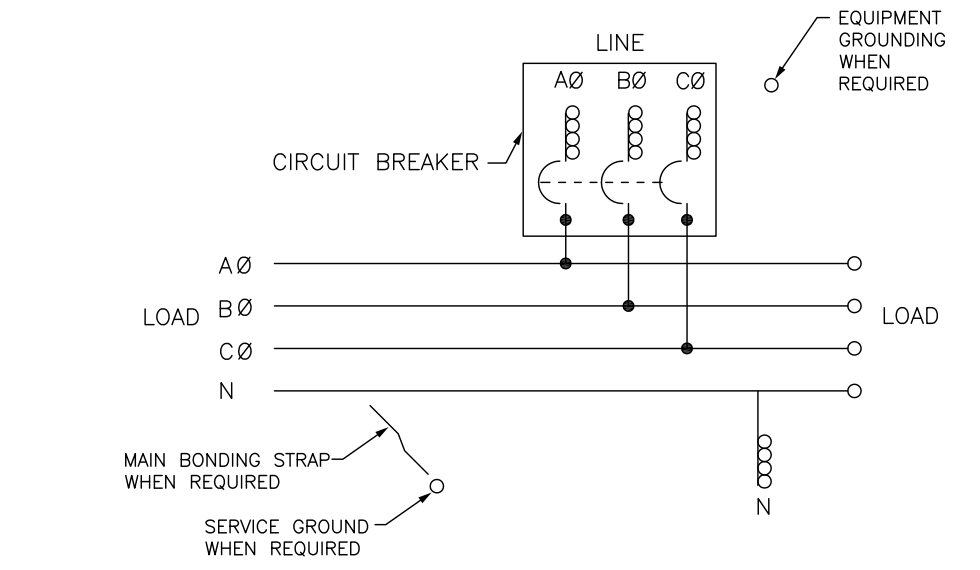


TOP MOUNTING BRACKET



BOTTOM MOUNTING BRACKET



SEAL BRACKET

DUAL DIMENSIONS: INCHES MILLIMETERS

- ADDITIONAL NOTES:
- ◆ ALTERNATE LUG KITS ARE AVAILABLE FOR USE ON LINE SIDE OF MOLDED CASE CIRCUIT BREAKER (REFER TO DIGEST 175, PAGE 7-39).
  - ▼ ALTERNATE NEUTRAL LUG AVAILABLE, ORDER ONE (1)KIT, MMLK250 FOR (1) #1/0 AWG-600 KCML OR (2) #4 AWG-250 KCML AL/CU (KIT INCLUDES THREE, 2-BARREL LUGS), NEUTRAL WILL ACCOMMODATE TWO, 2-BARREL LUGS ONLY.

NOTES:  
 FINISH - GRAY BAKED ENAMEL POWDER COAT PAINT OVER CLEANED GALVANNEALED STEEL.  
 UL LISTED - FILE E131840, VOL. M  
 SUITABLE FOR USE AS SERVICE EQUIPMENT.  
 MAIN HORIZONTAL CROSS BUS RATED AT 1200 AMPERES.  
 MAIN DEVICES ARE SEALABLE BY UTILITY.  
 GANGABLE MULTI-METERING EQUIPMENT IS DESIGNED FOR WALL MOUNTING ONLY.  
 (NOT SUITABLE FOR FLOOR STANDING EQUIPMENT.)  
 \*1200A MAIN CIRCUIT BREAKER MUST BE CENTER MOUNTED WHEN USED WITH BRANCH DEVICES WITH MAIN BUS RATED 800A.

SYSTEM TYPE	MAIN RATING (AMPERES)	CATALOG NUMBER	MAIN CIRCUIT BREAKER (FACTORY INSTALLED)	LINE SIDE NEUTRAL LUG WIRE RANGE FOR AL OR CU CONDUCTORS (SUPPLIED WITH BREAKER)	LINE SIDE NEUTRAL LUG WIRE RANGE FOR AL OR CU CONDUCTORS (FACTORY INSTALLED)	GROUND LUG WIRE RANGE (FACTORY INSTALLED)
3 Ø 4W 208Y/120VAC OR 240/120VAC DELTA	1000	EZM31000GCBT	PGM36100U31A	(4) 3/0-500 ◆	(4) 3/0-500 ▼	(1) #6-300
	1000	EZM31000JCBT	PJM36100U31A	(4) 3/0-500 ◆	(4) 3/0-500 ▼	(1) #6-300
	1200	EZM31200GCBT	PGM36120U31A	(4) 3/0-500 ◆	(4) 3/0-500 ▼	(1) #6-300
	1200	EZM31200JCBT	PJM36120U31A	(4) 3/0-500 ◆	(4) 3/0-500 ▼	(1) #6-300

EZ METER-PAK GANGABLE  
 MULTI-METERING EQUIPMENT  
 1200A 3PH 4W MAIN CIRCUIT BREAKER DEVICES  
 TOP FEED  
 RAINPROOF NEMA TYPE 3R ENCLOSURES

by Schneider Electric

DWG# PWFDS-SYTI-0029  
 NO.