

NOTES:

- COLORED WIRE TIES USED FOR NTC PROBE IDENTIFICATION.
- BUS TERMINATORS INSTALLED AS REQUIRED (SEE SHEET 2).
TERM1(P/N: 0W04161A= 120Ω ,1/4W), TERM2(P/N: 110-0151-Z= 150Ω ,1/4W).

LEGEND

- MOTHER BOARD CONNECTIONS (MB, P/N: 0J-5188AA)
- RELAY / HEATER INTERLOCK PCB CONNECTIONS (RB, P/N:W0P2465)
- USER INTERFACE CONNECTIONS [CLASS 2 CONNECTIONS]
- MB, 0J-0P5188AA
- RB, W0P2465
- 0J-0W98919A
- 0J-0W11901A
- W0W3118C
- 0J-940-8320-003
- 0W98959
- 0J-0W98908A (200V), 0J-0W98907A (40XV)
- W0W3128 (208V,400V), W0W3127 (480V)
- W0N-0297[1.6FT]
- 0W99952[13FT], 0W3163A[8FT], 0W3314A[1.6FT]

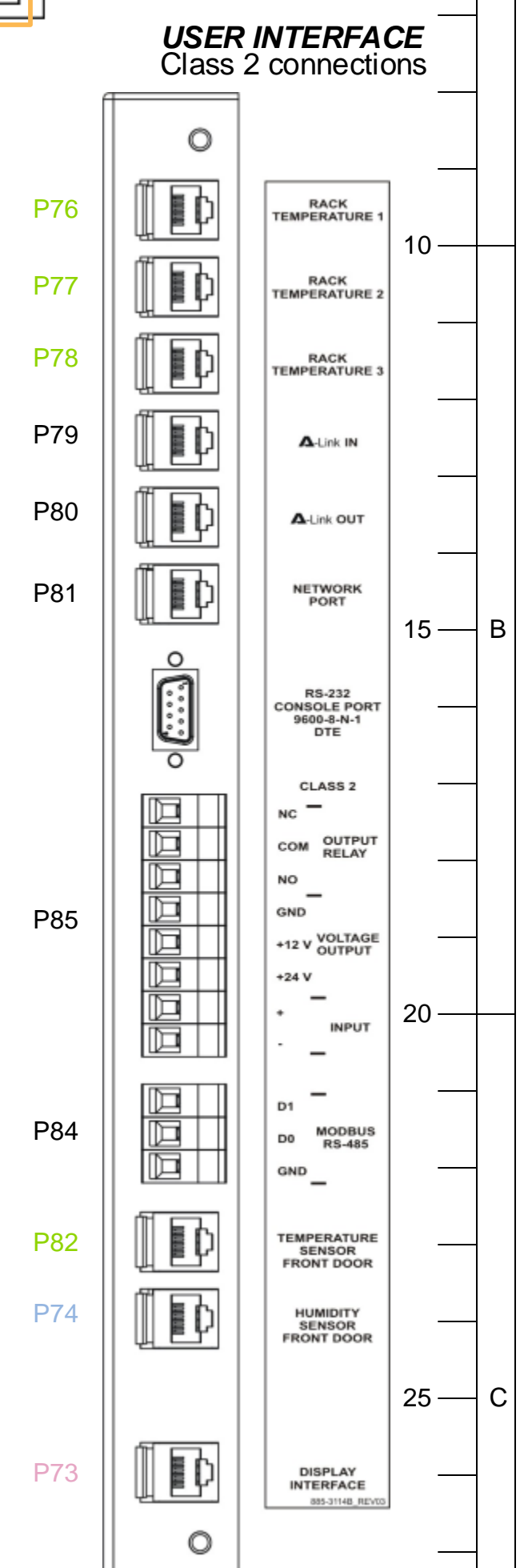
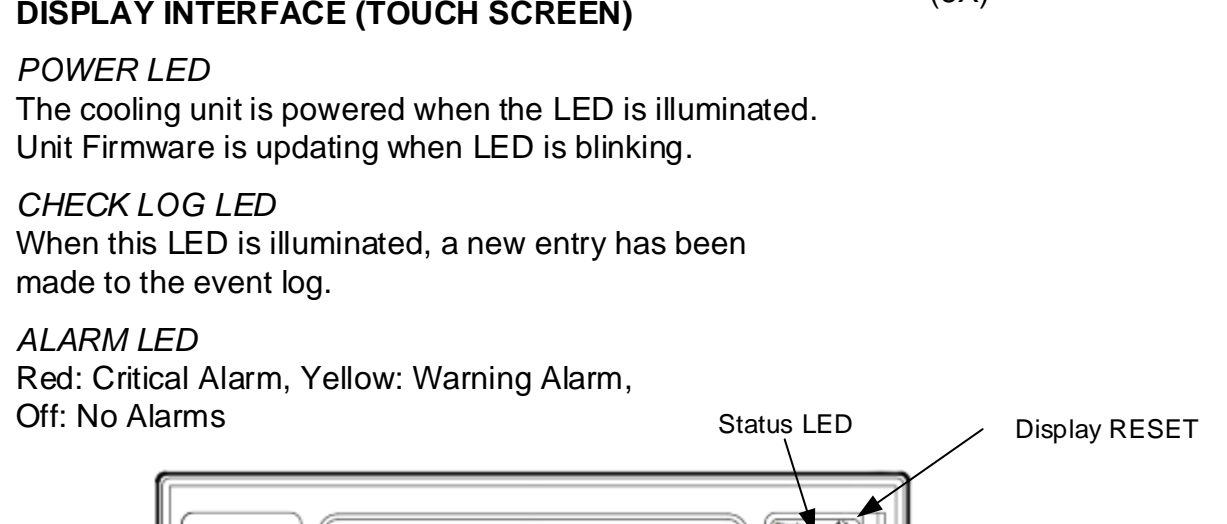
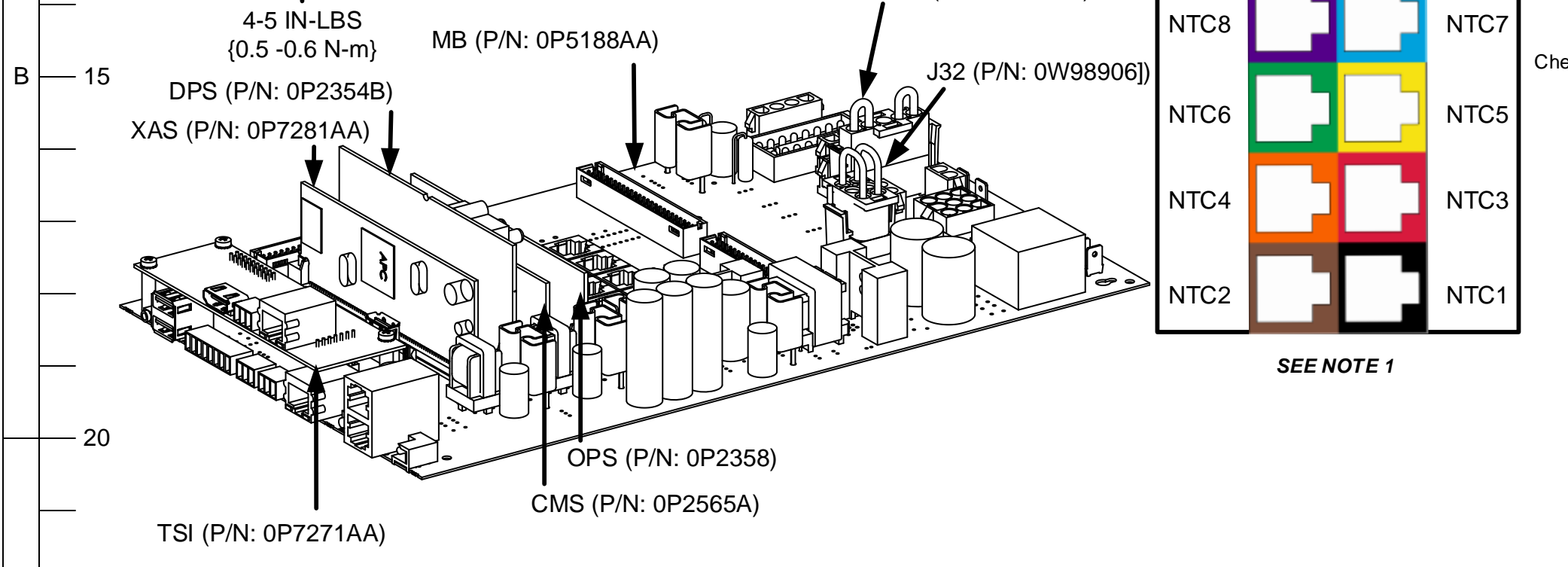
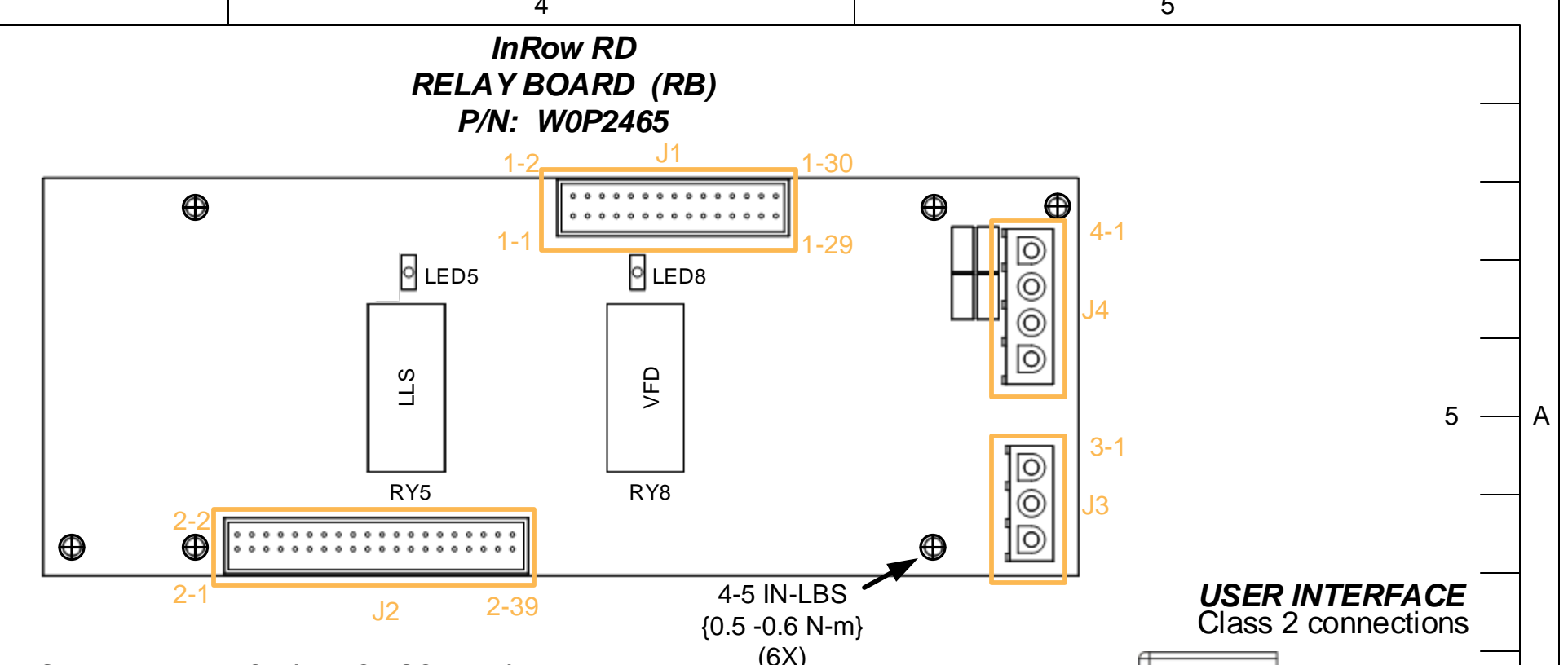
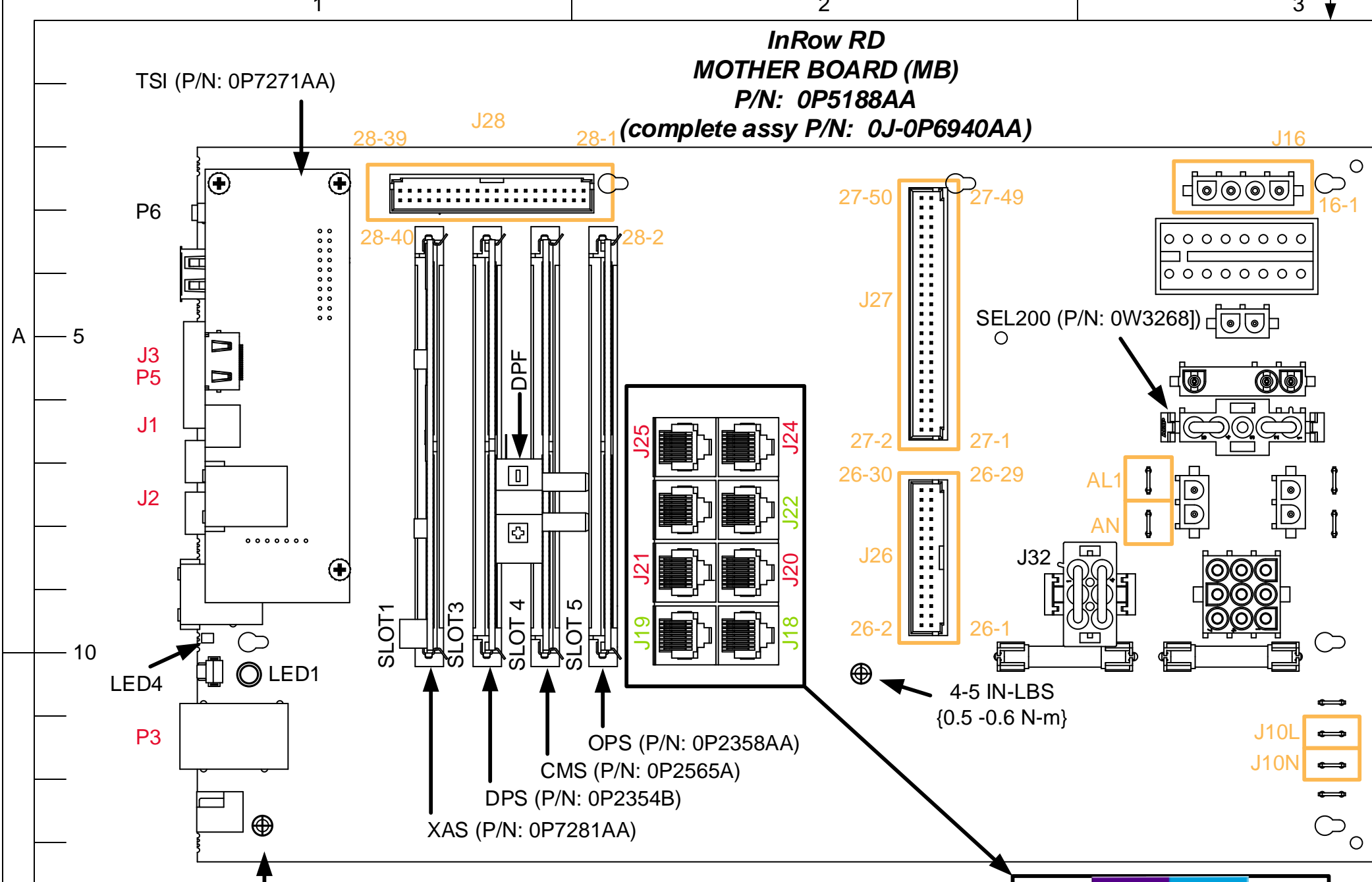
REV	DESCRIPTION	DATE	APP
1	RELEASE	04/FEB/2016	MDA

THIS DRAWING AND SPECIFICATIONS HEREIN ARE THE PROPERTY OF SCHNEIDER ELECTRIC AND SHALL NOT BE REPRODUCED OR COPIED OR USED IN WHOLE OR PART AS THE BASIS FOR THE MANUFACTURE OR SALE OF ITEMS WITHOUT WRITTEN PERMISSION FROM SCHNEIDER ELECTRIC.

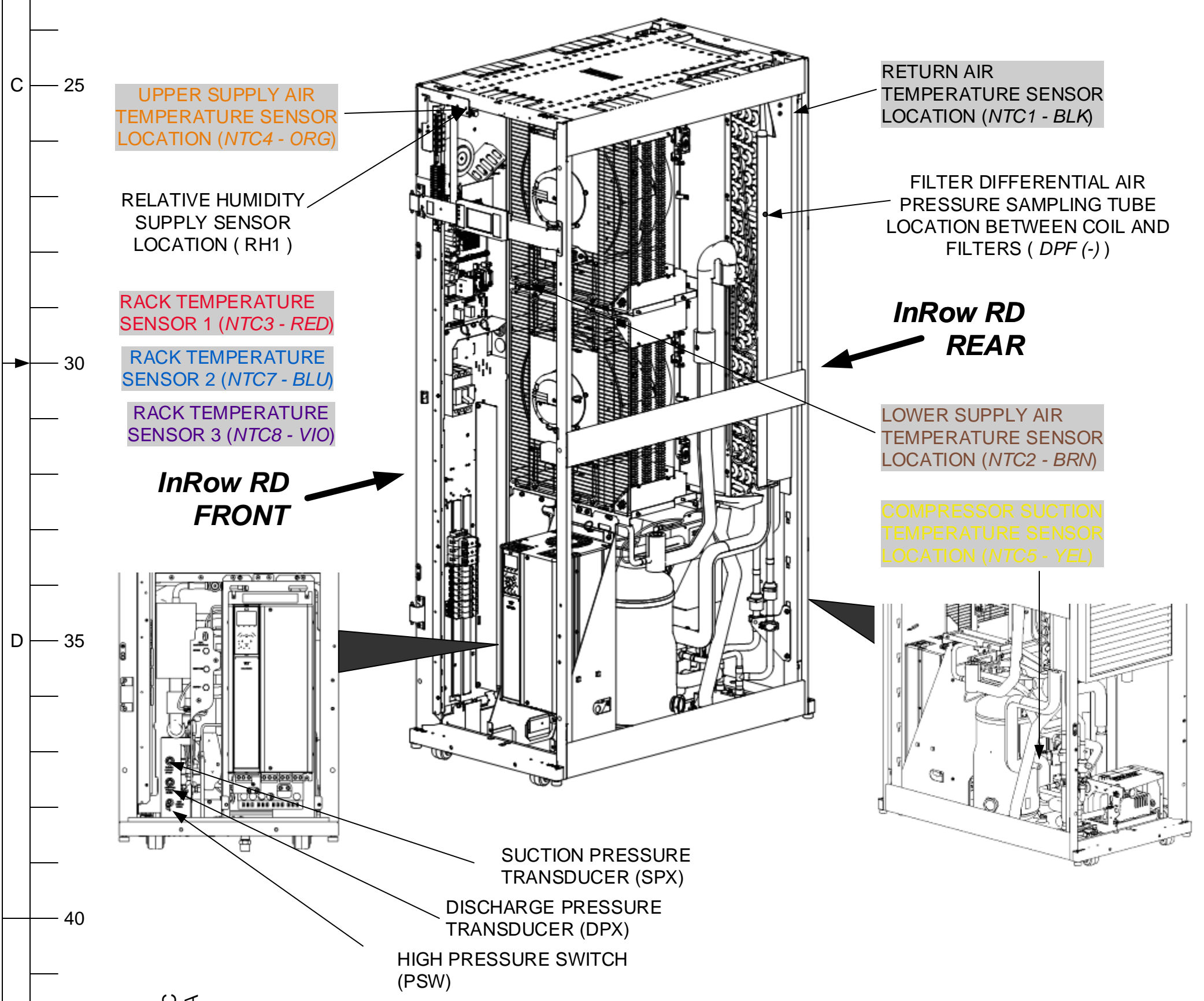
DRAWN BY MDAPUHN	DATE 03/FEB/2016	
ENGINEER MDAPUHN	DATE 03/FEB/2016	
CHECKED MMENG	DATE 04/FEB/2016	ITEM COMPUTER ROOM AIR CONDITIONER LADDER DIAGRAM
APPROVED MMENG	DATE 04/FEB/2016	PRODUCT InRow ACRD60X
WIRE COLOR CODE: BLK - BLACK BRN - BROWN RED - RED GRN - GREEN WHT - WHITE	WIRE COLOR CODE: GRN - GREEN BLU - BLUE VIO - VIOLET ORG - ORANGE YEL - YELLOW	SIZE D

FILE NO. (ARCHIVE/MEDIA CODE) 0S-ACRD6XXS-XXX_REV1.VSD

SHEET 1 OF 2



SENSOR LOCATIONS



RX/TX (10/100) LED

Condition	Description
Off	One of the following situations exists: • The InRow RD is not receiving input power. • The cable that connects the InRow RD to the network is disconnected or defective. • The device that connects the InRow RD to the network is turned off or not operating correctly. • The InRow RD network interface is not operating properly.
Solid Green	The InRow RD is connected to a network operating at 10 Megabits per second (Mbps).
Solid Orange	The InRow RD is connected to a network operating at 100 Megabits per second (Mbps).
Flashing Green	The InRow RD is receiving or transmitting data packets at 10 Megabits per second (Mbps).
Flashing Orange	The InRow RD is receiving or transmitting data packets at 100 Megabits per second (Mbps).

Status LED

Condition	Description
Off	One of the following situations exists: • The InRow RD is not receiving input power. • The InRow RD network interface is starting up. • The InRow RD network interface is not operating properly.
Solid Green	The InRow RD has valid TCP/IP settings.
Solid Orange	A hardware failure has been detected in the InRow RD network interface.
Flashing Green	The InRow RD does not have valid TCP/IP settings.
Flashing Orange	The InRow RD is making BOOTP requests.
Alternately flashing Green and Orange	If the LED is alternately flashing slowly, the InRow RD is making DHCP requests. If the LED is alternately flashing rapidly, the InRow RD is starting up.

CRAC CONTROLLER SIMM (XAS) Status LED (MB-LED1)

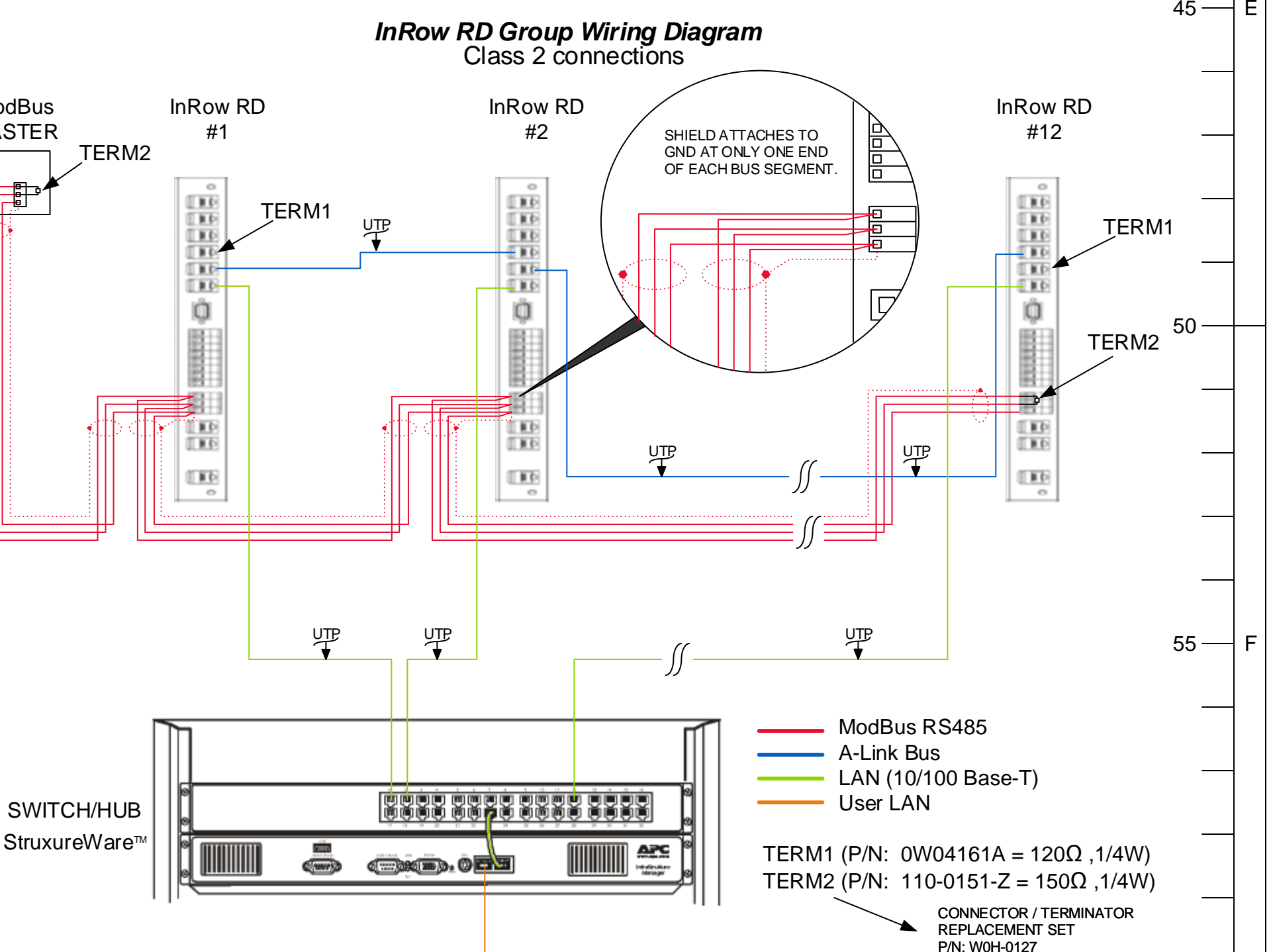
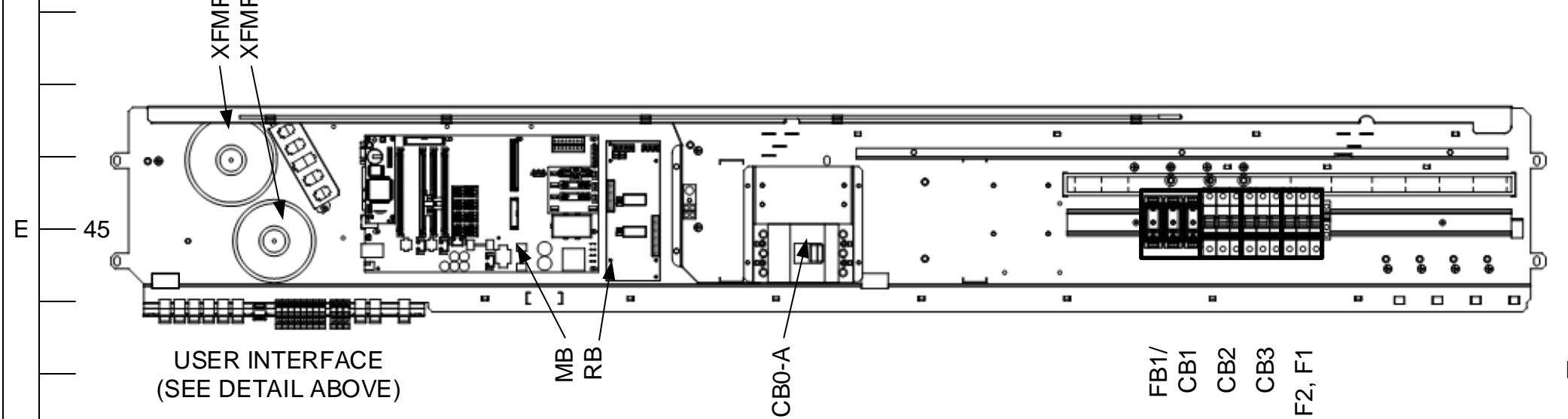
Condition	Description
Off	One of the following situations exists: • The InRow RD is not receiving input power. • The InRow RD XAS is not operating properly. • The InRow RD MB is defective.
Solid Green	The InRow RD XAS is in firmware download mode.
Solid Red	The InRow RD XAS is starting up.
Flashing Green	The InRow RD XAS firmware is running.

RELAY BOARD (RB) Status LED (RB-LED5 & LED8)

Condition	Description
Off	The InRow RD LLS/VFD is disabled.
Solid Green	The InRow RD LLS/VFD is enabled.

CRAC RS485 SIMM (CMS) Status LED (CMS-D1)

Condition	Description
Flashing Green	The InRow RD is receiving or transmitting VFD or flow meter data packets.



STANDARD ITEMS	SPARE PARTS			LINE LOCATION (SHEET 1)
	ACRD600 200-240VAC	ACRD601 460-480VAC	ACRD602 380-415VAC	
OIS		→ OJ-875-4444	←	54
CB0-A	W530-0447	W530-0444	W530-0444	13
CB2,3	W530-0912	W530-0911	W530-08002	37,41
F1	OJ-25430-20350	OJ-25430-20200	OJ-25430-20200	19
F2	OJ-25430-20200	OJ-512-0015	OJ-512-0015	22
		OJ-890-9077		
CMP		OJ-875-3983	OJ-875-3982	21,57
CMS			W0P2565	29,58
DPF (on DPS)				27
DPS			W0P2354	27
DPX			OJ-875-3986	64
FAN1,2	W0M-9841	W0M-9848	W0M-9848	37,41,46
FB1 / CB1	W516-0106	W516-0107	W530-0847	58
	W890-0079	W890-0079	N/A	
TS		OJ-0N-9580AC		48
LLS		OJ-0M-821308		53
MB		OJ-0P5188AA		1,65
TSI		OJ-0P7172AA		28
NTC1, 3...8		OJ-0W99952(13FT)		16,17,20..22
		W0W3163 (8FT)		13,14
		W0W3314 (1,6FT)		43
		W0P2358		31,36,43,44,61
OPS		W491-0523		21
PMP		OJ-540-0495		55
PSW		W0P2465		32..58
RB		W0N-0297(RH1)		44
RH1			N/A	23
RY-PMP				62
SPX		W875-3400		26
TERM1		OJ-0W04161A		38
TERM2			N/A	38
VFD	OJ-491-9028	OJ-491-9029	OJ-491-9029	58
XAS		OJ-0P7281AA		25
XFMR-A	W430-0197	W430-0197	W430-0251	31
XFMR-C		W430-0428	W430-0428	17
	N/A	W0H-0127		5,8
		OJ-0P6940AA		

THIS DRAWING AND SPECIFICATIONS HEREIN ARE THE PROPERTY OF SCHNEIDER ELECTRIC AND SHALL NOT BE REPRODUCED OR COPIED OR USED IN WHOLE OR PART AS THE BASIS FOR THE MANUFACTURE OR SALE OF ITEMS WITHOUT WRITTEN PERMISSION FROM SCHNEIDER ELECTRIC.

DRAWING: MDAPUHIN	DATE: 03/FEB/2016	Schneider Electric
ENGINEER: MDAPUHIN	DATE: 03/FEB/2016	
CHECKED: MMENG	DATE: 04/FEB/2016	ITEM: COMPUTER ROOM AIR CONDITIONER LADDER DIAGRAM
APPROVED: MMENG	DATE: 04/FEB/2016	PRODUCT: InRow ACRD60X
WIRE COLOR CODE:	BLK - BLACK BRN - BROWN RED - RED ORG - ORANGE YEL - YELLOW	GRN - GREEN BLU - BLUE VIO - VIOLET GRY - GRAY WHT - WHITE
FILE NO. (ARCHIVE MEDIA CODE)	0S-ACRD6XXS-XXX_REV1.VSD	SHEET 2 of 2