
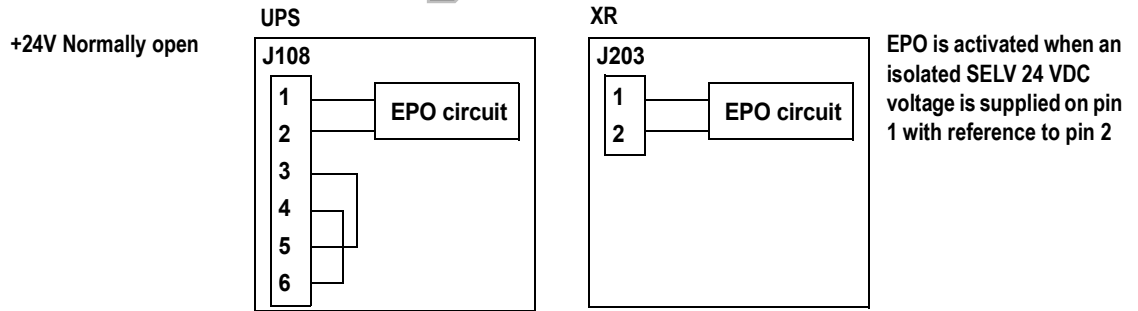


- ❶ Feed the cable from J106 in the UPS down through the conduit (if applicable).
- ❷ Run the cable up into XR conduit and connect it to the J200 in the XR Battery Enclosure as follows:
  - From the UPS, connect pin 1 to pin 1 in the XR Battery Enclosure
  - From the UPS, connect pin 2 to pin 2 in the XR Battery Enclosure
  - From the UPS, connect pin 3 to pin 3 in the XR Battery Enclosure
  - From the UPS, connect pin 4 to pin 4 in the XR Battery Enclosure
- ❸ Connection to XR2 goes from J204 and connects to J200 in XR2.

**EPO wiring (see previous drawing on battery communication wiring)**

- ④ Connect EPO from J108 in the UPS to J203 guiding cable through conduits as described under battery communication wiring.

Connect EPO using this configuration: 



**Electrical requirements:**

SELV voltage	24 V DC
Current:	1500 mA