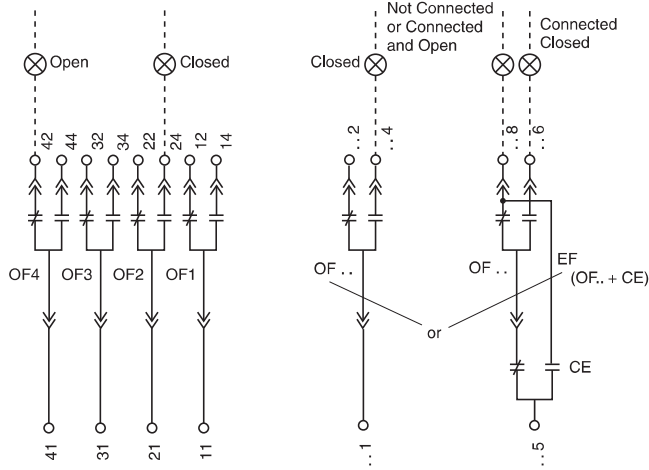
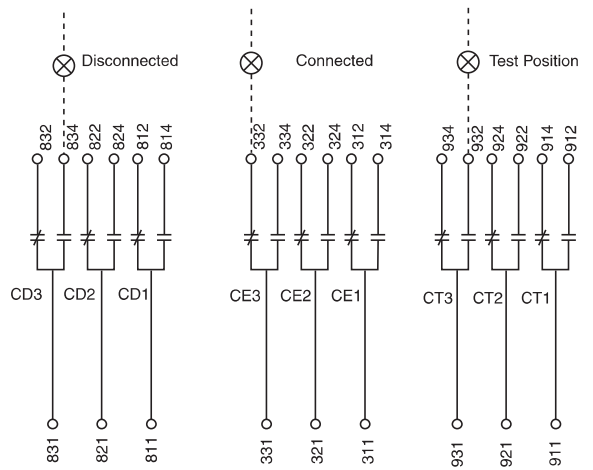


# Masterpact™ NT and NW Universal Power Circuit Breakers Wiring Diagrams

### Auxiliary Contacts



### Cell Switches



**Table 63: Markings for Push-In Type Terminals**

Auxiliary Contacts								Cell Switches <sup>1</sup>						
<b>OF24 OF23 OF22 OF21</b>				<b>OF14 OF13 OF12 OF11</b>				<b>OF4 OF3 OF2 OF1</b>				<b>CT3 CT2 CT1</b>		
⊖ ⊕	⊖ ⊕	⊖ ⊕	⊖ ⊕	⊖ ⊕	⊖ ⊕	⊖ ⊕	⊖ ⊕	⊖ ⊕	⊖ ⊕	⊖ ⊕	⊖ ⊕	⊖ ⊕	⊖ ⊕	⊖ ⊕
244	234	224	214	144	134	124	114	44	34	24	14	934	924	914
242	232	222	212	142	132	122	112	42	32	22	12	932	922	912
241	231	221	211	141	131	121	111	41	31	21	11	931	921	911
or				or				or			or			
<b>EF24 EF23 EF22 EF21</b>				<b>EF14 EF13 EF12 EF11</b>				<b>CD6 CD5 CD4</b>			<b>CE9 CE8 CE7</b>			
⊖ ⊕	⊖ ⊕	⊖ ⊕	⊖ ⊕	⊖ ⊕	⊖ ⊕	⊖ ⊕	⊖ ⊕	⊖ ⊕	⊖ ⊕	⊖ ⊕	⊖ ⊕	⊖ ⊕	⊖ ⊕	
248	238	228	218	148	138	128	118	864	854	844	394	384	374	
246	236	226	216	146	136	126	116	862	852	842	392	382	372	
245	235	225	215	145	135	125	115	861	851	841	391	381	371	

<sup>1</sup> Fixed-mounted circuit breaker does not have cell switches (CE, CD, CT).

**Table 64: Markings for Ring Terminals**

Alarm Switches				Auxiliary Contacts								Cell Switches <sup>1</sup>		
<b>PF</b>	<b>CT1</b>	<b>MCH</b>	<b>MCHa</b>	<b>OF14 OF13 OF12 OF11</b>				<b>OF4 OF3 OF2 OF1</b>				<b>CE3 CE2 CE1</b>		
○	○	○	○	○	○	○	○	○	○	○	○	○	○	○
252	914/912	B2	B3	144	134	122	112	44	34	22	12	334/332	324/322	314/312
251	911	B1		141	131	121	111	41	31	21	11	331	321	311

<sup>1</sup> Fixed-mounted circuit breaker does not have cell switches (CE, CD, CT).