

Technical Specifications

Refrigerant Distribution Unit (RDU) and Piping
Pumped Refrigerant
Up to 160 kW



American Power Conversion Legal Disclaimer

The information presented in this manual is not warranted by the American Power Conversion Corporation to be authoritative, error free, or complete. This publication is not meant to be a substitute for a detailed operational and site specific development plan. Therefore, American Power Conversion Corporation assumes no liability for damages, violations of codes, improper installation, system failures, or any other problems that could arise based on the use of this Publication.

The information contained in this Publication is provided as is and has been prepared solely for the purpose of evaluating data center design and construction. This Publication has been compiled in good faith by American Power Conversion Corporation. However, no representation is made or warranty given, either express or implied, as to the completeness or accuracy of the information this Publication contains.

In no event shall American Power Conversion Corporation be liable for any direct, indirect, consequential, punitive, special, or incidental damages (including, without limitation, damages for loss of business, contract, revenue, data, information, or business interruption) resulting from, arising out, or in connection with the use of, or inability to use this Publication or the content, even if American Power Conversion Corporation has been expressly advised of the possibility of such damages. American Power Conversion Corporation reserves the right to make changes or updates with respect to or in the content of the Publication or the format thereof at any time without notice.

Copyright, intellectual, and all other proprietary rights in the content (including but not limited to software, audio, video, text, and photographs) rests with American Power Conversion Corporation or its licensors. All rights in the content not expressly granted herein are reserved. No rights of any kind are licensed or assigned or shall otherwise pass to persons accessing this information.

This Publication shall not be for resale in whole or in part.

Table of Contents

- Technical Data..... 1**
 - Overview..... 1
 - Capacity..... 1
 - Fluid Distribution..... 1
 - Compliance Approval..... 1
 - Standard Features..... 2
 - Accessories..... 2
 - Scalable Solution for Critical Environments..... 3
 - Refrigerant..... 3
 - High Density..... 3
 - Leased Facilities..... 3
 - APC Pumped Refrigerant System, The Right Solution..... 3
 - InRow Advantages..... 3
 - Scalable for High Density..... 4
 - Standard Features..... 5
 - Cabinet..... 5
 - Heat Exchanger..... 5
 - Redundant Refrigerant Pumps..... 5
 - Microprocessor Control..... 5
 - 2-way/3-way Water Control Valves..... 5
 - Top or Bottom Power Feed..... 5
 - Shutdown Input/Alarm Output..... 5
 - Selectable Top or Bottom Piping Connections..... 6
 - Network Management Card..... 6
 - Bay Kit-NetShelter SX..... 6
 - Insulation Kit..... 6
 - Optional Features..... 7
 - Flange Kit..... 7
 - Rack Door Kit..... 7
 - Flexible Stainless Steel Hoses..... 7
 - Network Cable..... 7
 - Pipe Clamp Kit..... 7
 - 1, 2, and 3-port RDU Piping Kits..... 7
 - Microprocessor Controller..... 8
 - Microprocessor Controller..... 8
 - Controls..... 8
 - Display Interface..... 8
 - Alarms..... 9
 - Logging..... 10

Component Identification	11
Exterior	11
Interior	12
Loose parts kit	13
Insulation kit	14
Optional kits	15
Rack door kit - ACAC21005	15
Flange kit - ACAC21006	16
Pipe clamp kit - ACAC11005	16
RDU piping kit, one port - ACAC21000	17
RDU piping kit, two port - ACAC21002	17
RDU piping kit, three port - ACAC21004	17
914 mm (3 ft) stainless steel flex pipe kit - ACAC21007	18
1828 mm (6 ft) stainless steel flex pipe kit - ACAC21008	18
1372 mm (4.5 ft) stainless steel flex pipe kit - ACAC21009	18
R134a connection kit - ACAC21010	19
Performance Specifications	20
Performance Specifications 7°C (45°F) EWT	20
General Data	21
Performance Data	21
Power Consumption	22
Glycol Correction Factors	22
Electrical Data	22
Dimensional Data	23
Service access dimensions	23
Piping and Mechanical Connections	24
Internal Piping Diagram	24
External Piping Diagrams	25
Piping and Power Access Locations	27
Top view	27
Bottom view (looking up)	28
Facility Planning	30
Warranty	33
Guide Specification	35
Guide Specifications for InRow RDU	35

Technical Data

Overview

The Refrigerant Distribution Unit (RDU) offers efficient, effective, and economical pumped refrigerant for use with its associated InRow cooling modules (CM).

Precision environmental requirements now reach far beyond the confines of the traditional data center or computer room to encompass a larger suite of applications referred to as technology rooms. Critical environment applications include:

- Computer rooms
- Telecommunication facilities
- Clean rooms
- Power Equipment
- Medical equipment rooms
- Archives
- LAN/WAN environments

A worldwide network of APC representatives is fully qualified to provide engineering, sales, installation, and service for our products. APC warrants all parts for 12 months from start up. Extended warranties are available.

Capacity

The RDU can serve multiple CM units and provide up to 160 kW of heat rejection.

Fluid Distribution

Water or a water/glycol mixture is pumped from a customer-supplied chiller into the primary circuit of a heat exchanger inside the RDU. Heat contained in refrigerant (R-134a) in the secondary circuit of the heat exchanger is removed in this heat exchanger and transferred to the water or water/glycol mixture. The water or water/glycol mixture then returns to the chiller. Refrigerant is then pumped to the cooling modules where heat generated by the IT equipment is collected and carried back to the RDU by the refrigerant.

Compliance Approval

- UL Listed
- C-UL Listed
- CE
- KCC
- C-Tick

Standard Features

- Redundant R134a variable speed circulation pumps, EC BLDC
- Sub-cooler
- Refrigerant loss monitoring
- ISX central integration / network card
- Local user interface
- Top or bottom piping configuration for both refrigerant and chilled water connections
- Dual power supplies
- 0 – 100% capacity modulation
- Field configurable 2-way chilled water valves
- Top or bottom power feed
- Dual power inputs
- No minimum heat load

Accessories

- NetShelter SX 42-U to 48-U height adapters
- NetShelter VX 42-U height adapters
- Refrigerant piping flanges
- Modular piping headers
- Rack door

Scalable Solution for Critical Environments

Refrigerant

Mitigating the risk of fluid leaks is critical to the smooth operation of a technology room. Data centers can be installed where raised floors are not available. This hard floor environment requires that the cooling fluid piping be installed overhead. The fluid used in this modular, pumped refrigerant system is R134a refrigerant. R134a is a non-toxic refrigerant that poses no threat to IT equipment in the event of a leak, and has no ozone depletion potential.

High Density

High density areas are caused by consolidation of servers where there is a lack of space or just moving from multiple clusters of servers to a single larger server. Naturally, this will make the power densities increase, resulting in a higher than average cooling load per rack. The higher cooling demand might require additional cooling units, thus requiring additional fluid lines to be installed.

Leased Facilities

Installing a data center in a leased facility is usually not a big issue since the IT equipment can be removed from the racks. However, the actual valves and piping are typically not moved. The Network Critical Physical Infrastructure (NCPI) must be portable so that it is easily moved to a new location. A raised floor is not typical in leased facilities. Deploying a NCPI without the use of a raised floor eliminates a one-time expenditure.

APC Pumped Refrigerant System, The Right Solution

Highly scalable and flexible, the system is capable of growing with your cooling needs as they increase. Each CM is installed with isolation valves for fluid control.

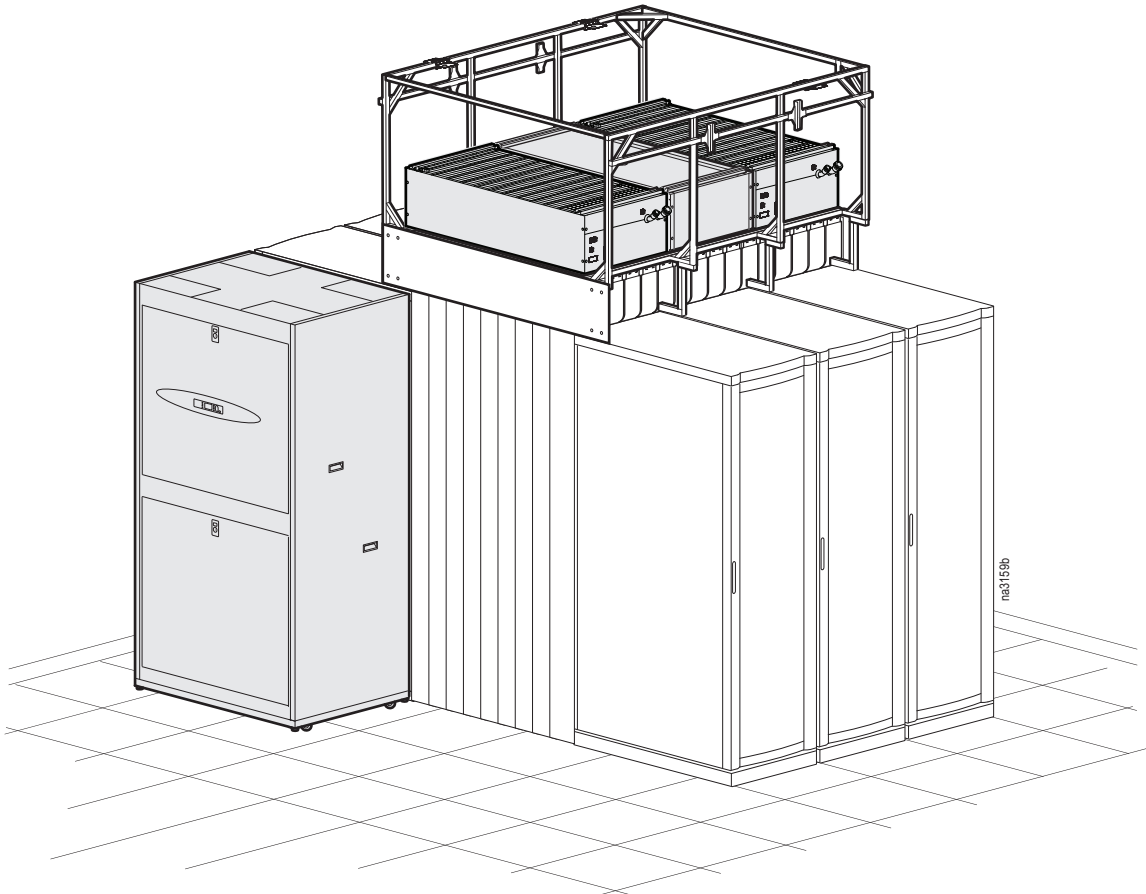
InRow Advantages

The in-row solution improves energy efficiency and cooling ability in a number of ways. First, the CM draws air directly from the hot aisle, allowing the cooling unit to take advantage of higher heat transfer efficiency due to higher temperature differences. The InRow unit never chills the air below its dewpoint. This significantly decreases water consumption and energy use and eliminates heat transfer inefficiencies caused by wet coils.

Scalable for High Density

The predictable performance of the row-based architecture makes it well-suited for high density applications. The focus on heat removal instead of cold air delivery is the key to making this approach scalable. The modular design of the InRow units allows them to be easily added in the row as the demand for cooling increases.

The additional benefit of the row-based architecture is the ability to add hot aisle containment. Containing the hot aisle further reduces any chance of hot and cold air streams mixing. This provides ultimate predictability and allows the cooling capacity to be matched to the IT heat load.



Standard Features

Cabinet



The frame is constructed of 14 gauge formed steel for maximum strength. The cabinet is serviceable from the front. All exterior panels and corner posts on the frame are powder coated for durability and an attractive finish. The front and rear exterior panels are constructed of 18 gauge steel, and the side panels are constructed of 20 gauge steel. The front panels, which include a key latch for safety and security, allow easy access and removal. All internal pipes are insulated with 12.7 mm (1/2 in) closed cell insulation.

Heat Exchanger

The brazed plate heat exchanger is constructed of 316 stainless steel plates. The primary side of the heat exchanger is piped to a chilled water source; the secondary side is piped to the CM.

Redundant Refrigerant Pumps

The two factory-piped and factory-wired pumps are 2N redundant and can automatically adjust the flow of refrigerant for variable capacity of the system.

Each pump may be replaced while the unit is in operation without effecting system performance.

Microprocessor Control

Users can navigate between menus, select items, and input alpha numeric information using control keys.

The microprocessor controller activates a visible and audible alarm in the occurrence of certain events. See “Alarms” on page 9.

2-way/3-way Water Control Valves

The RDU includes a pair of floating point microprocessor-controlled 2-way valves which regulate the amount of chilled water into the heat exchanger to maintain optimal cooling conditions for the system. The valves are user configurable to operate in either two-way or three-way mode.

Top or Bottom Power Feed

Electrical power is supplied to the unit via a locking NEMA or IEC plug connection (top wiring only) suitable for the input power.

Hard-wired electrical power may be supplied to the unit through top or bottom connections.

Dual power feeds allow cooling to remain operational during a power outage to the main power source.

Shutdown Input/Alarm Output

The unit provides one field connection input for remote shutdown and one field connection alarm output.

Selectable Top or Bottom Piping Connections

The unit includes provisions for either top or bottom water piping connections. Piping may be brazed directly to external pipes or to flanges to facilitate ease of disconnecting the RDU.

Network Management Card

The Network Management Card (NMC) allows communication with the Local Area Network (LAN). In addition, the NMC permits multi-level access to monitoring, control, and event notification features over the building network.

Bay Kit-NetShelter SX

Baying kits made of 16 gauge steel are available for baying the RDU to APC NetShelter enclosures.

Insulation Kit

A kit of insulation is provided to prevent condensation from internal piping once the piping is installed and connected.

Optional Features

Flange Kit

As an alternative to brazing, a flange kit is available to provide for more easily disconnecting piping.

Rack Door Kit

This kit will allow your RDU to look like the APC equipment racks in the adjacent row.

Flexible Stainless Steel Hoses

914 mm (3 ft) and 1828 mm (6 ft) flexible stainless steel hoses are available for use in installations where standard piping is impractical or not desired.

The flexible hoses can be used to connect OAs to the modular piping headers.

Network Cable

Various lengths of network cable are available to ship with your cooling system. The network cable is used to interconnect multiple cooling units in a redundant group, as well as to connect the Network Management Card to your LAN.

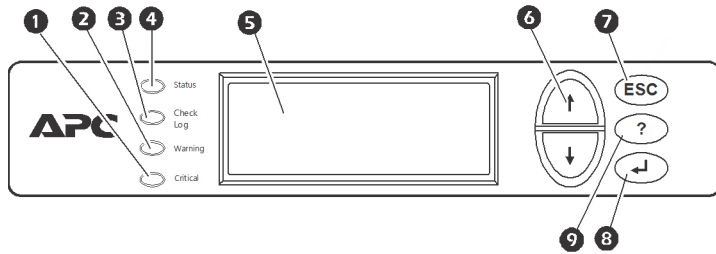
Pipe Clamp Kit

This kit contains clamps, fasteners, and insulation needed to mount refrigerant piping on the mount frames.

1, 2, and 3-port RDU Piping Kits

This kit provides three optional solutions for routing refrigerant to and from the CM. They may be installed directly on the InRow OA mount frames, hung from threaded rod, or attached to support members.

Microprocessor Controller



1	Critical Alarm LED
2	Warning Alarm LED
3	Check Log LED
4	Status LED
5	Liquid Crystal Display (LCD)
6	Scroll keys
7	Escape key
8	Enter key
9	Help key

Microprocessor Controller

The master display allows monitoring and configuring the cooling system through a menu-based control. Functions include status reporting, set-up, and temperature set points. Four LEDs report the operational status of the connected cooling system.

Controls

The ACDA901 comes equipped with control keys to allow the user to navigate between menus, select items, and input alphanumeric information.

Display Interface

The backlit, four-line by twenty-character display interface is password configurable

Alarms

The microprocessor controller activates a visible alarm upon the occurrence of the following events. The alarm will also be audible if Beep on Alarms is enabled and the beeper is not turned off:

- Bypass valve actuator fault
- Condenser inlet temperature sensor fault
- Condenser outlet pressure sensor fault
- Condenser outlet temperature sensor fault
- Condensing temperature high violation
- Condensing temperature low violation
- CW valve actuator fault
- DC power supply 1 fault
- DC power supply 2 fault
- Discrete input abnormal
- Entering fluid temperature high violation
- Inlet water temperature sensor fault
- Internal communication fault
- Low refrigerant level
- No redundant pump
- No temperature/humidity sensors available
- Outlet water temperature sensor fault
- Persistent pumps vapor locked
- Persistent receiver pumped dry
- Primary power source failure
- Secondary power source failure
- Pump 1 discharge pressure sensor fault
- Pump 1 fault
- Pump 1 high head pressure
- Pump 2 discharge pressure sensor fault
- Pump 2 fault
- Pump 2 high head pressure
- Pumps vapor locked
- RDU communication fault
- Pump outlet temperature sensor fault
- Receiver pumped dry
- Refrigerant loss detected
- Subcooler outlet temperature sensor fault
- System stop
- Temperature/humidity duplicate CAN address

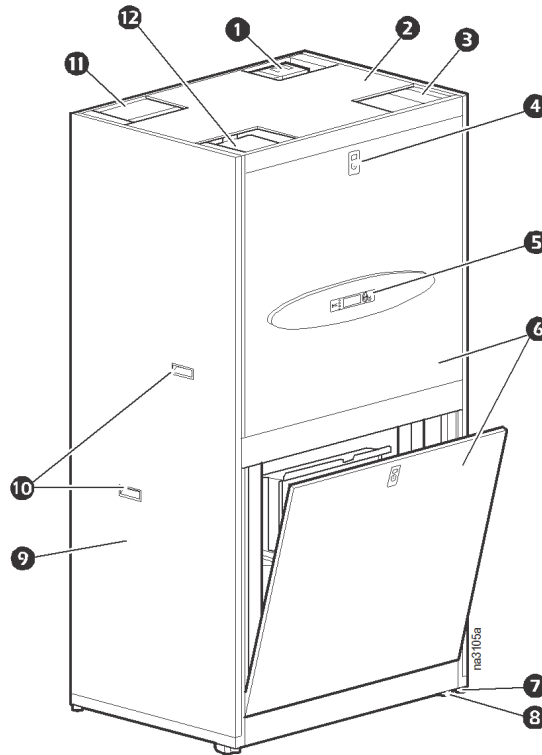
- Unit is in maintenance mode
- Starting conditions not satisfied
- Air filter service interval expired
- Evaporation temperature below dewpoint
- Fan 1 door open
- Fan 1 fault
- Fan 1 missing or wrong type
- Fan 2 door open
- Fan 2 fault
- Fan 2 missing or wrong type
- Fan 3 fault (RA only)
- Fan 4 fault (RA only)
- Fan 5 fault (RA only)
- Fan type not configured
- Group communication fault
- Liquid inlet pressure sensor fault
- Liquid temperature sensor fault
- Primary power source overvoltage
- Secondary power source overvoltage
- Rack temperature sensor fault
- Rack temperature high violation
- RDU communications fault
- Return air high temperature violation
- Return air temperature sensor fault (front)
- Return air temperature sensor fault (middle)
- Return air temperature sensor fault (rear)
- Supply air high temperature violation
- Supply air temperature sensor fault (front)
- Supply air temperature sensor fault (rear)
- Unit ID needs configuration
- Unit personality not configured
- Vapor outlet pressure sensor failure
- Evaporation temperature below dew point

Logging

The event log keeps a record of all alarms and events. Each event log contains a time/date stamp as well as operating conditions at the time of occurrence. The controller also displays run time (in hours) for major components.

Component Identification

Exterior



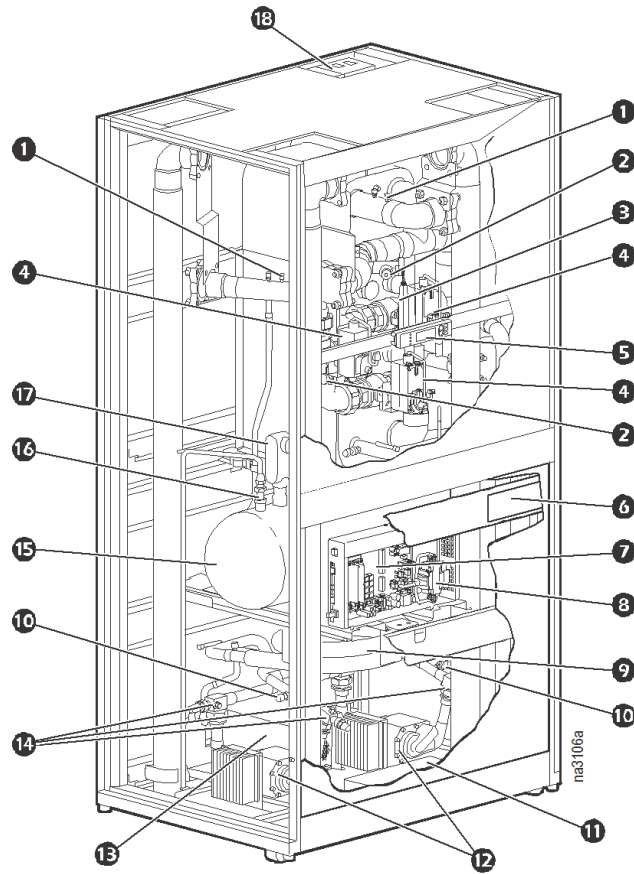
Item Description

- ❶ Electrical connections (top or bottom configurable)
- ❷ Top panel
- ❸ Refrigerant supply and return lines
- ❹ Panel lock
- ❺ Display interface
- ❻ Locking panels

Item Description

- ❼ Leveling feet
- ❽ Casters
- ❾ Side panel
- ❿ Panel removal handles
- ⓫ Chilled water inlet (top or bottom configurable)
- ⓬ Chilled water outlet (top or bottom configurable)

Interior



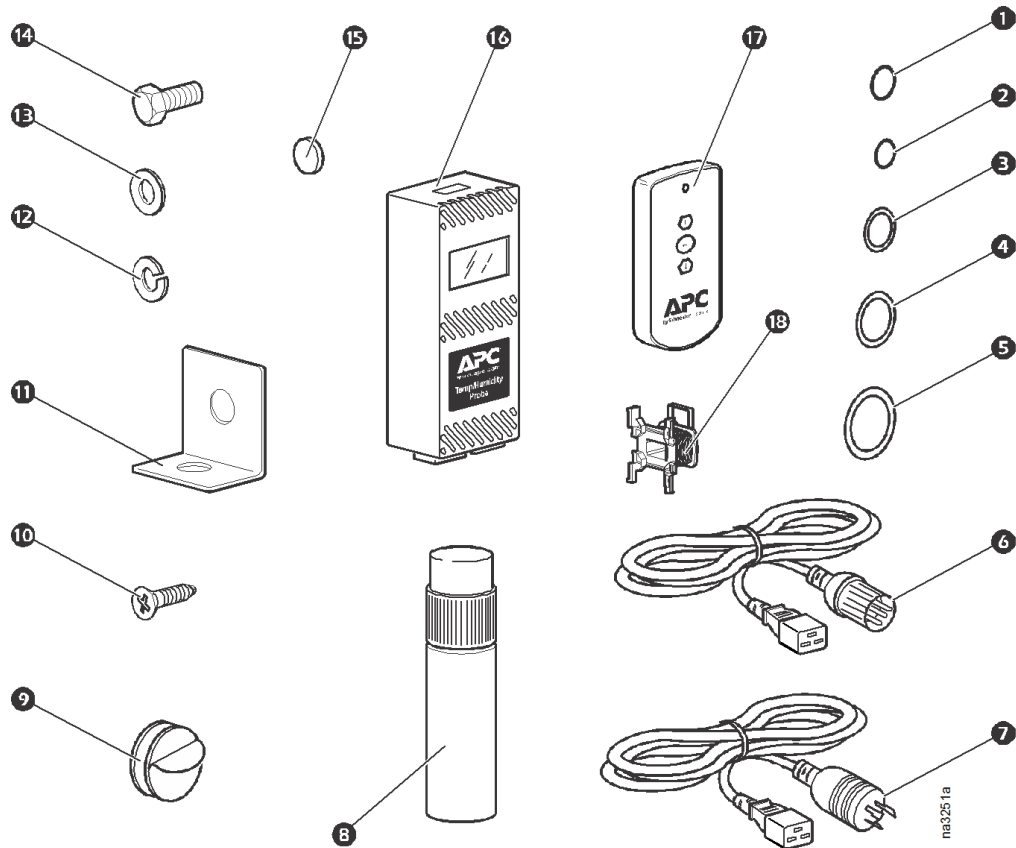
Item Description

- ❶ Schrader valve
- ❷ Clean out tee
- ❸ Brazed plate heat exchanger
- ❹ Actuator
- ❺ User interface
- ❻ Nameplate
- ❼ Electronics board
- ❽ Contactor
- ❾ Subcooler

Item Description

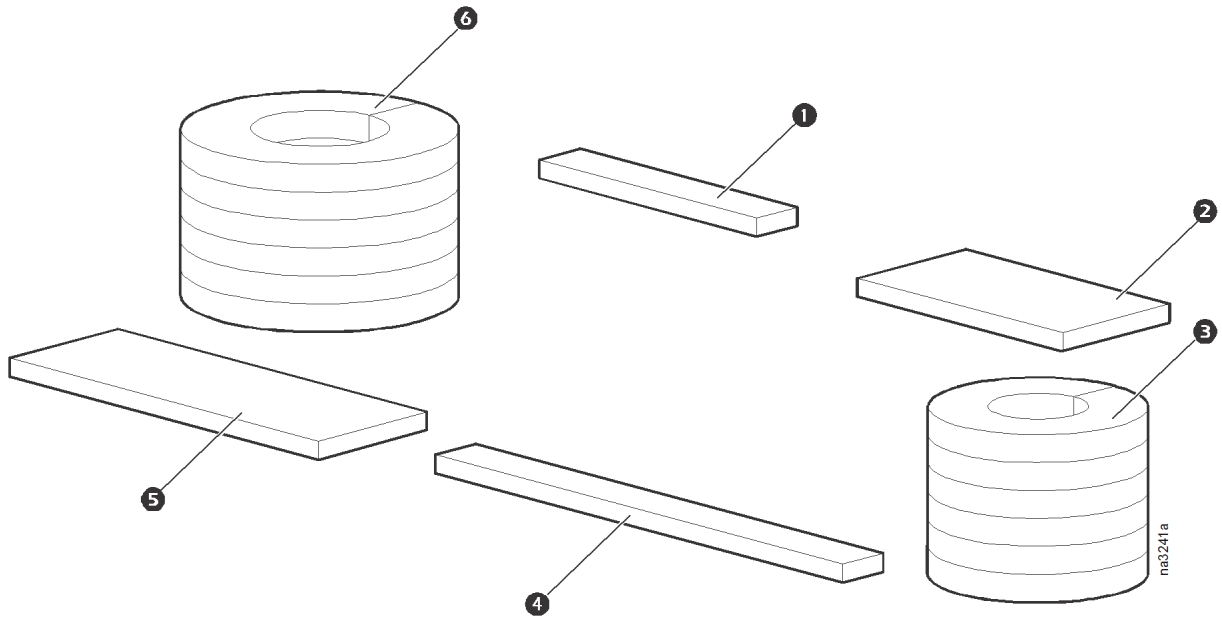
- ❿ Pressure transducer
- ⓫ Drip shield
- ⓬ Refrigerant pumps
- ⓭ Power supply housing
- ⓮ Rotolock valves
- ⓯ Receiver
- ⓰ Pressure relief valve
- ⓱ Liquid level sensor
- ⓲ Electrical receptacles

Loose parts kit



Item	Description	Qty	Item	Description	Qty
1	Teflon ring, 1-3/4 in (for rotolock valves)	2	10	Philips screw	2
2	Teflon ring, 1-1/4 in (for rotolock valves)	2	11	Mounting bracket	4
3	Gasket, 1-5/8 in flange (for refrigerant supply line)	1	12	Lock washer	4
4	Gasket, 2-in union (for internal water valves)	4	13	Washer	4
5	Gasket, 2-5/8 in flange (for refrigerant return and chilled water inlet and outlet lines)	3	14	Bolt	4
6	Power cord, IEC 309	2	15	Magnets for remote control mount	2
7	Power cord, L5-20P	2	16	Temperature and humidity sensor	1
8	Touch-up paint	1	17	Infrared remote control	1
9	Hook and loop fastener	2	18	Contactor coil (100 V)	1

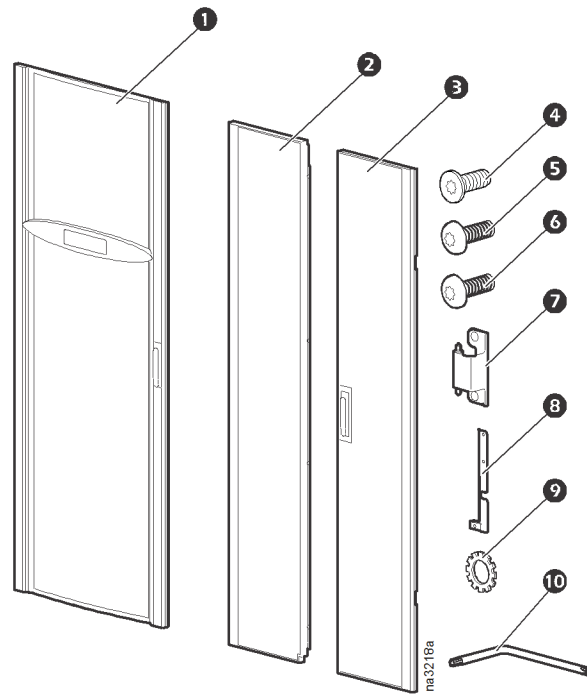
Insulation kit



Item	Description	Qty	Item	Description	Qty
①	Inside cover, 1.5 in pipe clamp insulation	2	④	Inside cover, 3 in pipe clamp insulation	5
②	Cover, 1.5 in pipe clamp insulation	2	⑤	Cover, 3 in pipe clamp insulation	5
③	Flange boot, 1.62 in ID	1	⑥	Flange boot, 2.62 in ID	3

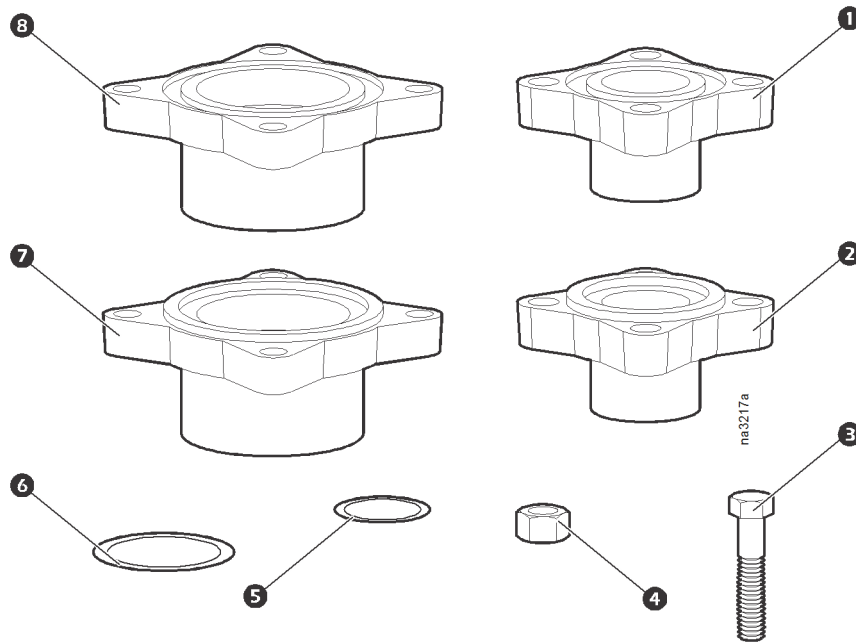
Optional kits

Rack door kit - ACAC21005



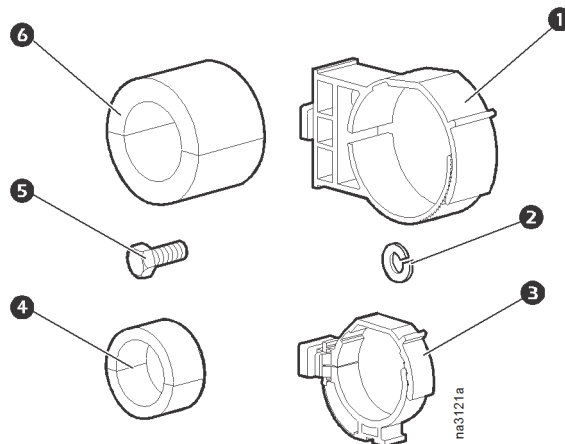
Item	Description	Qty	Item	Description	Qty
1	Door assembly	1	6	Screw, T30 M6 × 12 pan head	3
2	Door assembly, left, split	1	7	Hinge	6
3	Door assembly, right, split	1	8	Closure bracket	1
4	Screw, T30 M6 × 12 flat head	12	9	Washer, M6 external tooth	3
5	Screw, T30 M6 × 12 Nylock pan head	2	10	Wrench, T30 / #2 Philips	1

Flange kit - ACAC21006



Item	Description	Qty	Item	Description	Qty
1	Flange, 1.625 in OD female	1	5	Gasket, 1-5/8 in flange	1
2	Flange, 1.625 in OD male	1	6	Gasket, 3-1/8 in flange	1
3	Bolt	8	7	Flange, 3.125 in OD male	1
4	Nut	8	8	Flange, 3.125 in OD female	1

Pipe clamp kit - ACAC11005

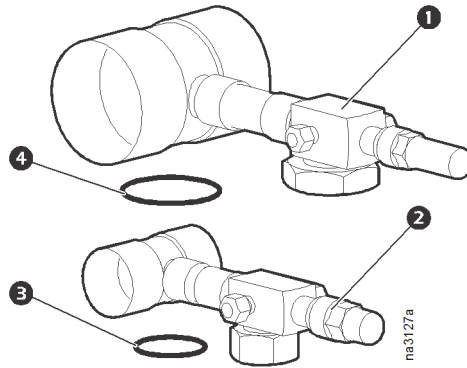


Item	Description	Qty	Item	Description	Qty
1	Pipe clamp, 3.98 in - 4.53 in (return)	2	4	Pipe support insulation 1 5/8 in x 2 in	2
2	3/8 in split lockwasher	4	5	Hex head bolt, 3/8-16 x 3/4	4
3	Pipe clamp, 2.60 in - 2.99 in (supply)	2	6	Pipe support insulation 3 1/8 in x 3 in	2



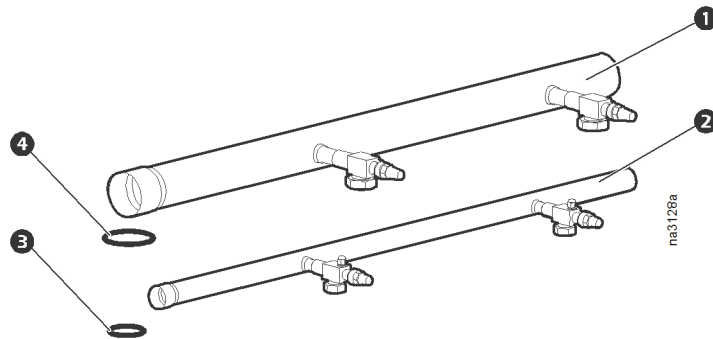
Note: Depending on system configuration, you may have extra parts remaining after assembly.

RDU piping kit, one port - ACAC21000



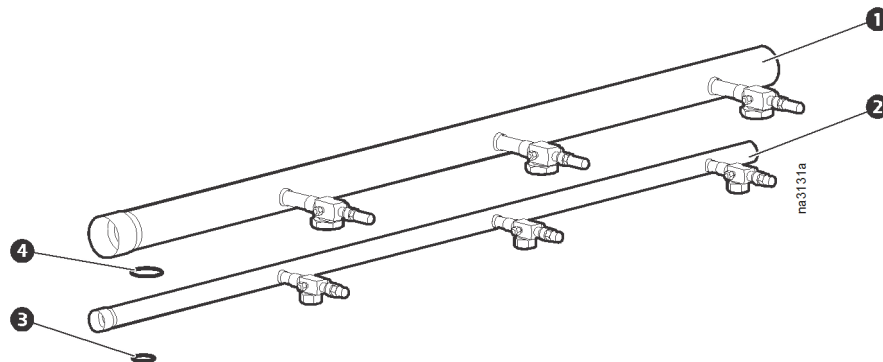
Item	Description	Qty	Item	Description	Qty
1	RDU 1 port assembly, return	1	3	Teflon ring for rotolock 1 1/4 in	2
2	RDU 1 port assembly, supply	1	4	Teflon ring for rotolock 1 3/4 in	2

RDU piping kit, two port - ACAC21002



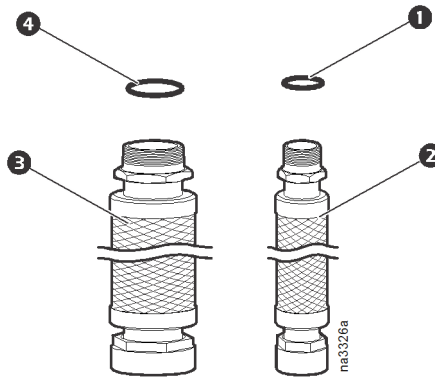
Item	Description	Qty	Item	Description	Qty
1	RDU 2 port assembly, return	1	3	Teflon ring for rotolock 1 1/4 in	4
2	RDU 2 port assembly, supply	1	4	Teflon ring for rotolock 1 3/4 in	4

RDU piping kit, three port - ACAC21004



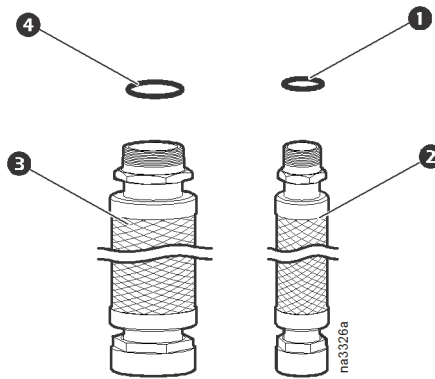
Item	Description	Qty	Item	Description	Qty
1	RDU 3 port assembly, return	1	3	Teflon ring for rotolock 1 1/4 in	6
2	RDU 3 port assembly, supply	1	4	Teflon ring for rotolock 1 3/4 in	6

914 mm (3 ft) stainless steel flex pipe kit - ACAC21007



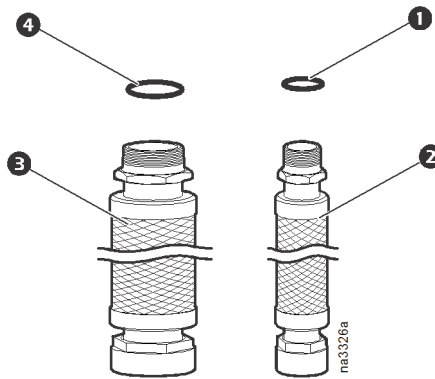
Item	Description	Qty	Item	Description	Qty
1	Teflon ring, 1.25 in	2	3	Hose, 1.25 in OD, 914 mm (3 ft)	1
2	Hose, 1 in OD, 914 mm (3 ft)	1	4	Teflon ring, 1.75 in	2

1828 mm (6 ft) stainless steel flex pipe kit - ACAC21008



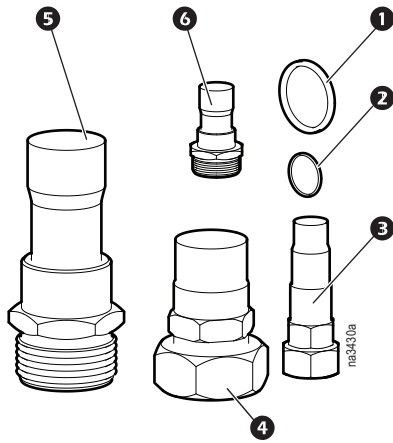
Item	Description	Qty	Item	Description	Qty
1	Teflon ring, 1.25 in	2	3	Hose, 1.25 in OD, 1828 mm (6 ft)	1
2	Hose, 1 in OD, 1828 mm (6 ft)	1	4	Teflon ring, 1.75 in	2

1372 mm (4.5 ft) stainless steel flex pipe kit - ACAC21009



Item	Description	Qty	Item	Description	Qty
1	Teflon ring, 1.25 in	2	3	Hose, 1.25 in ID, 1372 mm (4.5 ft)	1
2	Hose, 1 in ID, 1372 mm (4.5 ft)	1	4	Teflon ring, 1.75 in	2

R134a connection kit - ACAC21010



Item	Description	Qty	Item	Description	Qty
①	Teflon ring, 1.75 in	2	④	Gas outlet assembly, female	1
②	Teflon ring, 1.25 in	2	⑤	Gas outlet assembly, male	1
③	Liquid inlet assembly, female	1	⑥	Liquid inlet assembly, male	1

Performance Specifications

Performance Specifications 7°C (45°F) EWT

CW Delta T °C (°F)	Total Net Capacity kW (BTU/hr)	CW Flow Rate l/s (GPM)	CW Pressure Drop kPa (psig)	Power Consumption Watts
3.9 (7)	160 (545,900)	10.1 (160)	83 (12)	650
4.4 (8)	141 (481,540)	8.2 (130)	61 (8.8)	555
5.0 (9)	116 (396,161)	6.3 (100)	43 (6.2)	450

All values are accurate to +/- 3 kW (10,236 BTU/hr) rated with 20% PG
Dewpoint must be 13.3°C (56°F) Or lower to achieve conditions listed in table.

General Data

Performance Data

PHYSICAL DATA		
Weight – kg (lbs)		
	Net Weight	544 (1200)
	Operating Weight (top piped)	661 (1455)
	Operating Weight (bottom piped)	674 (1482)
	Shipping Weight	580 (1279)
Nominal Dimensions – mm (in)		
	Net Height	1991 (78.39)
	Net Width	1070 (42.13)
	Net Depth	750 (29.50)
	Shipping Height	2165 (85.2)
	Shipping Width	1168 (46)
	Shipping Depth	1150 (45.3)
CONNECTION SIZES – mm (in) OD – nominal		
	CW inlet – copper-brazed	76.2 (3)
	CW outlet – copper-brazed	76.2 (3)
	Refrigerant Supply – copper-brazed	38.1 (1.5)
	Refrigerant Return – copper-brazed	76.2 (3)
CONTROL VALVES – mm (in) – nominal		
	Main 2-way – brass	50.8 (2)
	Bypass 2-way – brass (102 Cv orifice included)	38.1 (1.5)
FLOW RATE		
	Maximum Flow Rate of RDU – l/s (GPM)	11.4 (180)
WORKING PRESSURE		
	Maximum Working Pressure of RDU – kPa (psi) – Water	2068 (300)
	Maximum Working Pressure of RDU – kPa (psi) – Refrigerant	1379 (200)
NUMBER OF PUMPED REFRIGERANT COOLING MODULES CONNECTED		
	InRow OA – MAX (MIN)	6 (0)*
	InRow RA – MAX (MIN)	5 (0)**
OPERATING TEMPERATURE		
	Maximum Ambient Operating Temperature – °C (°F)	52.8 (127)
SOUND		
	Lp Sound Pressure (front unit***) dB re: 20 µPa***	61 dBA
REFRIGERANT		
	Type	R-134a
	Unit Charge – kg (lbs) minimum	27 (60)
	System Charge**** – kg (lbs)	77 (170)
WATER		
	Volume (Top Piped) – l (gal)	43 (11.3)
	Volume (Bottom Piped) – l (gal)	50.6 (13.4)

Note: Maximum distance between the RDU and the farthest cooling module is 24.4 equivalent meters (80 equivalent ft).
 * The quantity of 6 OAs is based on a capacity of 25 kW per unit. If OAs are operating at less capacity, more units can be piped to an RDU to total 150 kW.
 **The quantity of 5 RAs is based on a capacity of 30 kW per unit. If RAs are operating at less capacity, more units can be piped to an RDU to total 160 kW.
 *** Unit only tested at 1.0 m (3.3 ft) in front of the unit. Weighted Sound Pressure dBA in a 1223 m³ (43,200 ft³) room at 1.0 m (3.3 ft) distance.
 ****6 CMs and maximum piping length

Power Consumption

Total Net Capacity kW (BTU/hr)	Power Consumption Watts
160 (545,900)	650
140 (478,125)	551
120 (409,822)	466
100 (341,518)	394
80 (273,214)	337

Glycol Correction Factors

Performance Criteria	Glycol Solution	Percent Volume of Solution***					
		0%	10%	20%	30%	40%	50%
Capacity*	Propylene	1.00	1.00	1.00	0.90	0.76	0.64
	Ethylene	1.00	1.00	1.00	0.90	0.78	0.62
Pressure Drop**	Propylene	0.91	0.96	1.00	1.05	1.14	1.22
	Ethylene	0.93	0.97	1.00	1.03	1.07	1.13



All correction factors are based on 160 GPM (10.11/s) and 45°F (7.2°C) EWT

*Multiply capacity of device or system by factor above for% solution.

**Multiply pressure drop of system by factor above for% solution.

***Glycol concentrations over 50% are not recommended.

Electrical Data

SKU	Power (Watts)	MOP (Amps)	MCA (Amps)	Plug Type
ACDA901 100–240V / 1 / 50/60 Hz	650*	20	20	NEMA L5-20P  100-120 VAC
				IEC-309 16/20A  200-240 VAC

Above data is based on maximum operating condition

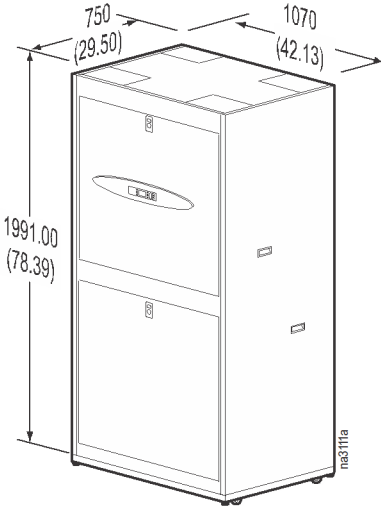
Installation must comply with local and/or national electrical codes

* Watts power value is to be used for genset and UPS sizing.

MCA — Minimum Circuit Ampacity

MOP — Maximum Overcurrent Protection

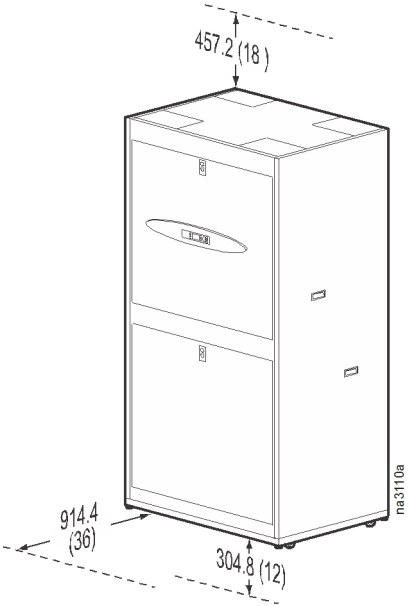
Dimensional Data



Dimensions are shown in mm (in).

Service access dimensions

For service, an area of clear space around the RDU is required as shown.



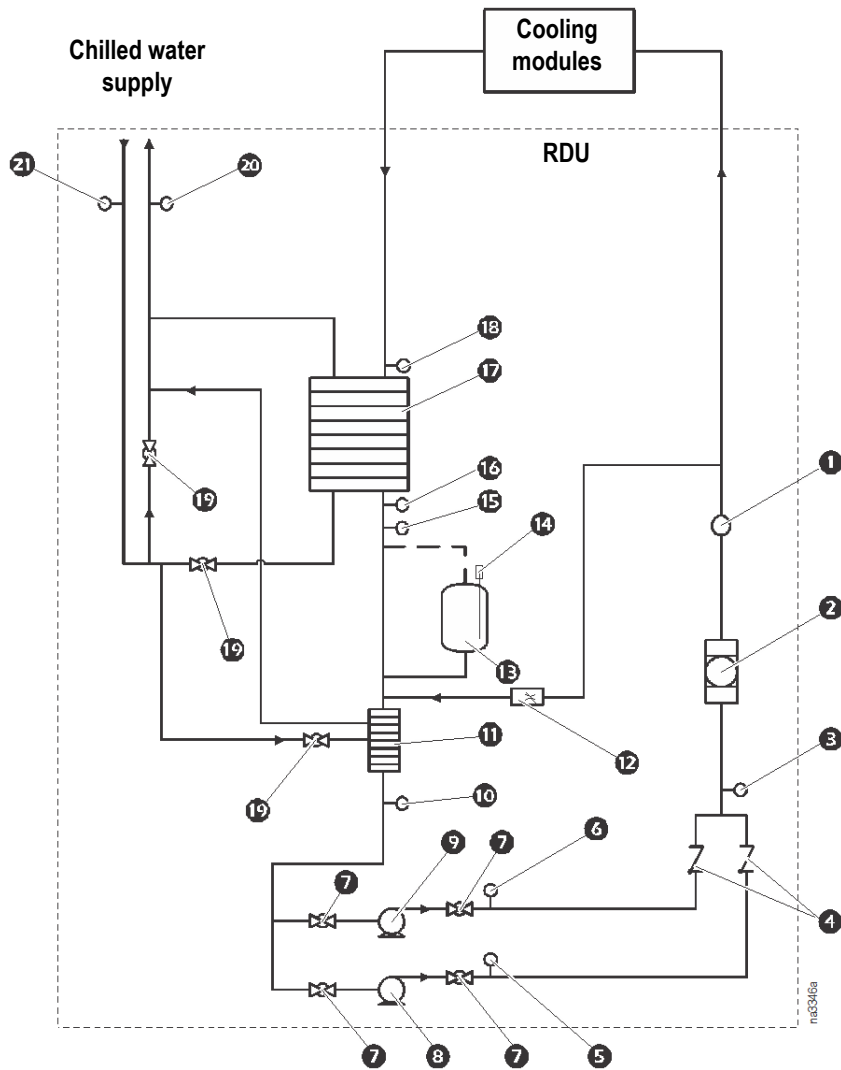
Dimensions are shown in mm (in).



Note: Bottom clearance is optional for top piping; top clearance is optional for bottom piping.

Piping and Mechanical Connections

Internal Piping Diagram



Item Description

- ① Sight glass
- ② Filter dryer
- ③ Refrigerant pump output temperature sensor
- ④ Check valves
- ⑤ Refrigerant pump 2 output pressure sensor
- ⑥ Refrigerant pump 1 output pressure sensor
- ⑦ Isolation valves
- ⑧ Pump 2
- ⑨ Pump 1
- ⑩ Refrigerant subcooler output temperature sensor
- ⑪ Subcooler

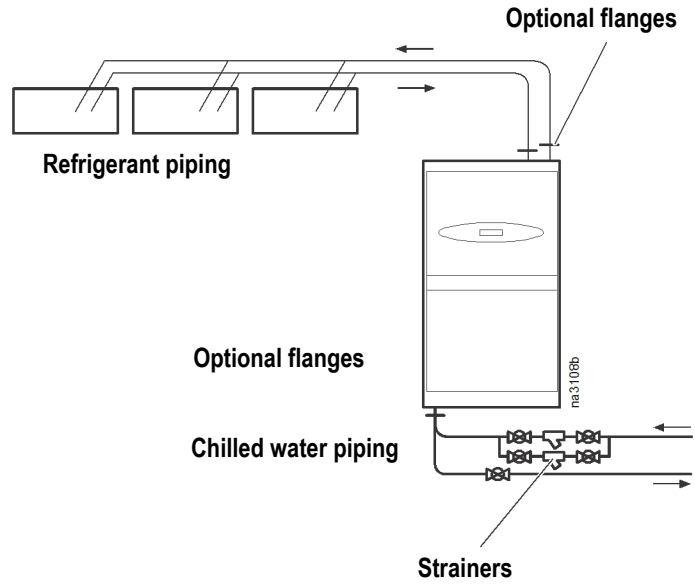
Item Description

- ⑫ ORD valve
- ⑬ Receiver
- ⑭ Liquid level sensor
- ⑮ Refrigerant HXGR output temperature sensor
- ⑯ Refrigerant HXGR output pressure sensor
- ⑰ Condenser
- ⑱ Refrigerant HXGR input temperature sensor
- ⑲ Two-way water ball valves
- ⑳ Leaving water temperature sensor
- ㉑ Entering water temperature sensor

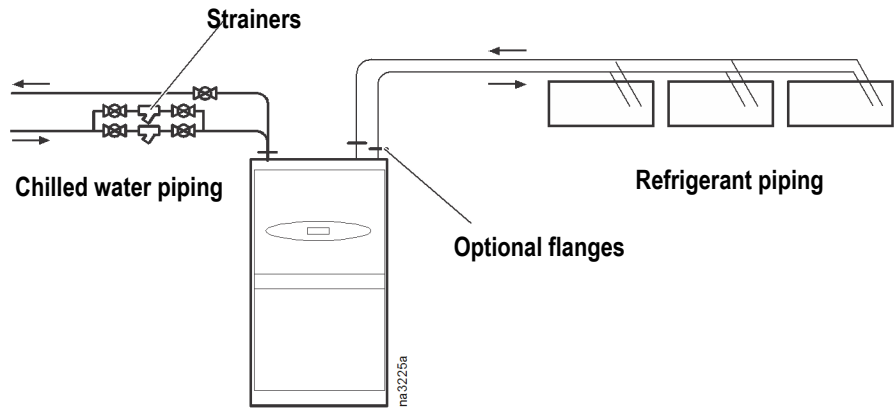
External Piping Diagrams

OA units

This example shows an RDU with bottom piped chilled water lines and top piped refrigerant lines routed to multiple OA units.

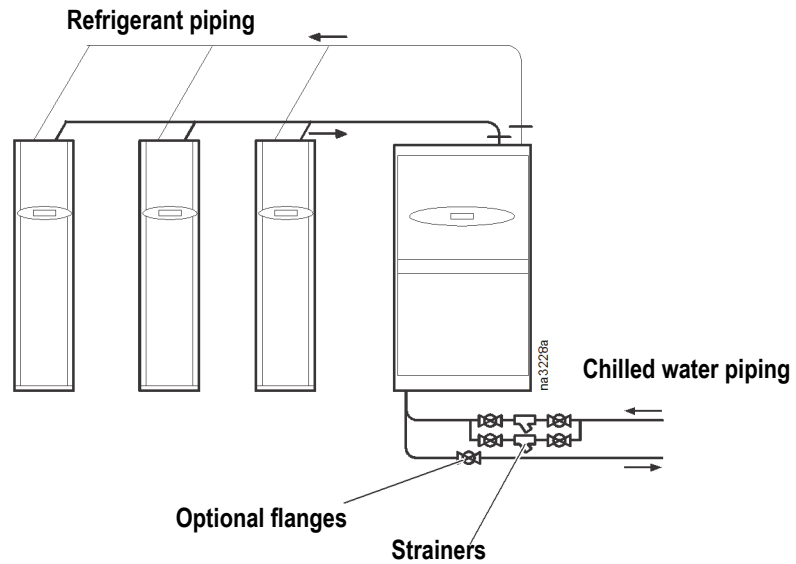


This example shows an RDU with both top piped chilled water lines and top piped refrigerant lines routed to multiple OA units.

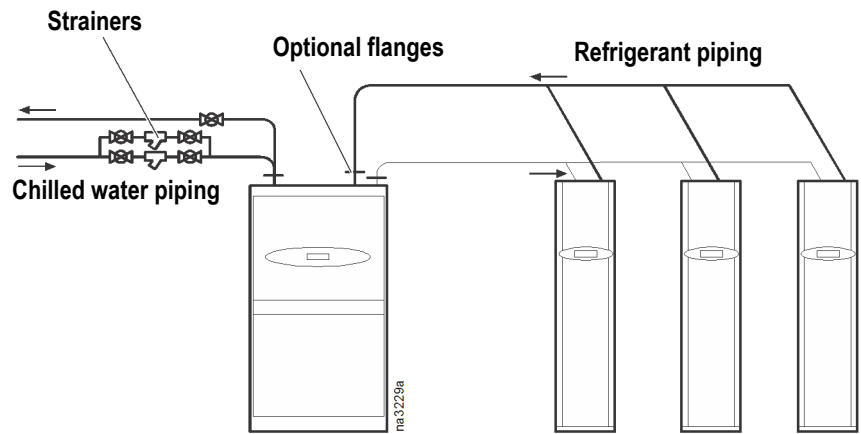


RA units

This example shows an RDU with bottom piped chilled water lines and top piped refrigerant lines.



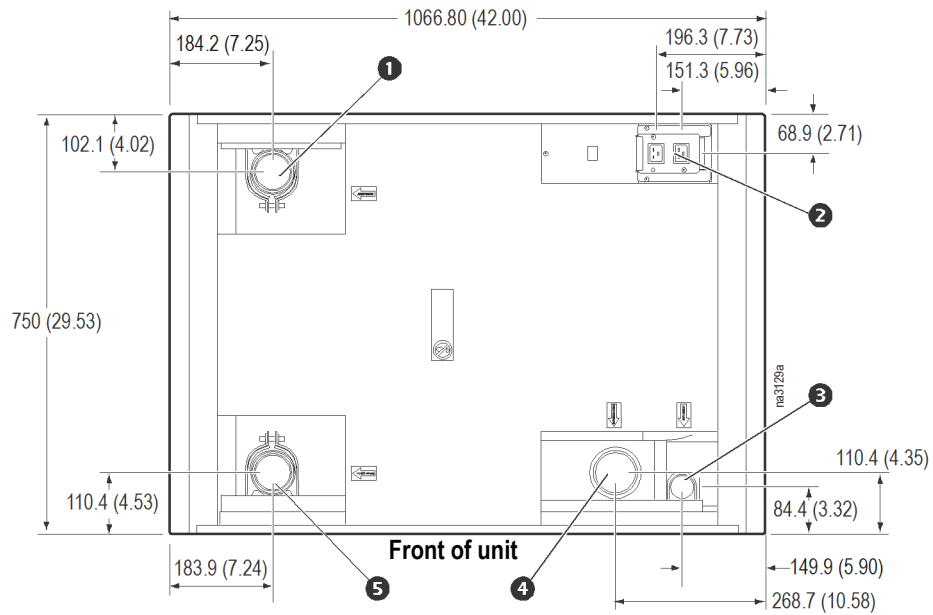
This example shows an RDU with both top piped chilled water lines and top piped refrigerant lines routed to multiple RA units.



Note: In addition to the preceding examples, both OA and RA units can be piped to the same RDU.

Piping and Power Access Locations

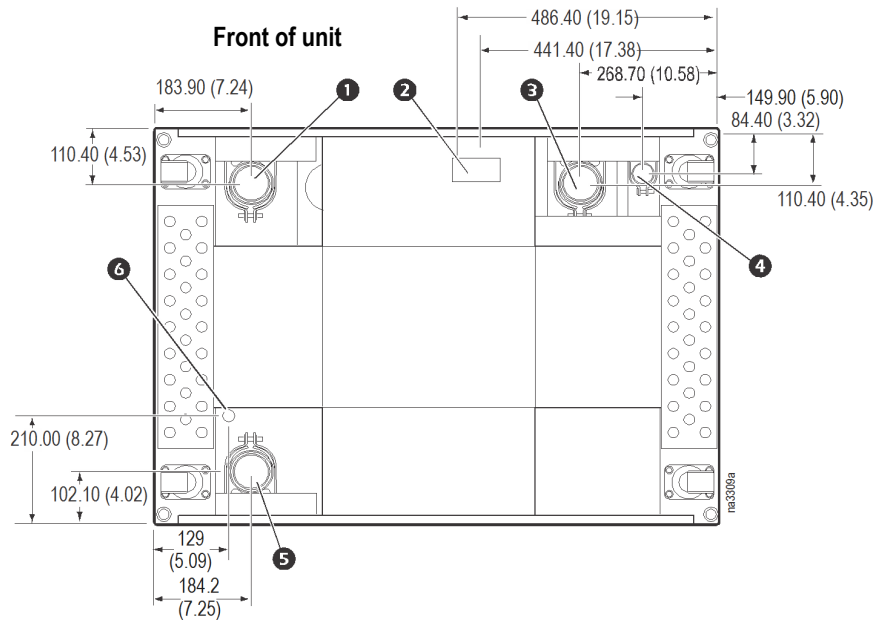
Top view



Dimensions are shown in mm (in).

Item	Description	Item	Description
❶	Chilled water inlet	❷	Top electrical power connections (as shipped)
❸	Refrigerant supply line	❹	Refrigerant return line
		❺	Chilled water outlet

Bottom view (looking up)



Dimensions are shown in mm (in).

Item	Description	Item	Description
❶	Chilled water outlet	❷	Refrigerant supply line
❸	Bottom electrical power connections (optional)	❸	Chilled water inlet
❹	Refrigerant return line	❹	Pressure relief valve outlet

Facility Planning

Model	ACDA901
Input Voltage	100 – 240
Phases	1
Frequency	50/60
Total NET Capacity – kW (BTU/hr)*	160 (545,940)
Sensible NET Capacity – kW (BTU/hr)*	160 (545,940)
Chilled Water Flow Rate – l/s (GPM)*	10.1 (160)
Chilled Water Pressure Drop – kPa (ft)*	82.7 (27.7)
Cabinet Width – mm (in)	1070 (42.13)
Cabinet Height – mm (in)	1991 (78.39)
Cabinet Depth – mm (in)	750 (29.5)
Cabinet Mounting	Floor
Net Weight – lbs (kg)	545 (1200)
Operating Weight – lbs (kg)	674 (1482)
Power Connection Type	Plug
Plug Type	NEMA L5-20P / IEC 309-16A
FLA (Full Load Amps)	7
MCA (Minimum Current Ampacity)**	N/A
MOP (Maximum Overcurrent Protection)	20
Power Connection Quantity	2
Features/Options	
Pump Type	Refrigerant
Pump Control	Variable Speed
Pump Quantity	2
Hot Swappable Pumps	Yes
Maximum equivalent piping distance – m (ft)	24 (80)
Hot Aisle Containment Compatible	Yes
Rack Air Containment Compatible	No
Refrigerant Type	R134a
Compressor Type	N/A
Chilled Water Control Valve	2-way/3-way
Network Management Card	Included
Filter Drier	Included (Installed)
Bypass Flow Controller	Not Required
Minimum Loading	0%
Condensate Pump	N/A

Model	ACDA901
Piping Connection	Top or Bottom
Electrical Connections	Top or Bottom
Cable Type Water Detector	Optional

* Performance based on 7°C (45°F) EWT with a 3.9°C (7°F) chilled water delta temperature.

**Cells marked N/A indicate that this information is not required because of regional differences in electrical codes.

Warranty

Three-Phase Power Products or Cooling Solutions One-Year Factory Warranty

The limited warranty provided by American Power Conversion (APC™) in this Statement of Limited Factory Warranty applies only to products you purchase for your commercial or industrial use in the ordinary course of your business.

Terms of warranty

APC warrants that the product shall be free from defects in materials and workmanship for a period of one year from the date of product start-up when start-up is performed by APC authorized service personnel and occurs within six months of the APC shipment date. This warranty covers repairing or replacing any defective parts including on-site labor and travel. In the event that the product fails to meet the foregoing warranty criteria, the warranty covers repairing or replacing defective parts at the sole discretion of APC for a period of one year from the shipment date. For APC cooling solutions, this warranty does not cover circuit breaker resetting, loss of refrigerant, consumables, or preventive maintenance items. Repair or replacement of a defective product or part thereof does not extend the original warranty period. Any parts furnished under this warranty may be new or factory-remanufactured.

Non-transferable warranty

This warranty is extended to the first person, firm, association or corporation (herein referred to by “You” or “Your”) for whom the APC product specified herein has been purchased. This warranty is not transferable or assignable without the prior written permission of APC.

Assignment of warranties

APC will assign you any warranties which are made by manufacturers and suppliers of components of the APC product and which are assignable. Any such warranties are assigned “AS IS” and APC makes no representation as to the effectiveness or extent of such warranties, assumes no responsibility for any matters which may be warranted by such manufacturers or suppliers and extends no coverage under this Warranty to such components.

Drawings and descriptions

APC warrants for the warranty period and on the terms of the warranty set forth herein that the APC product will substantially conform to the descriptions contained in the APC Official Published Specifications or any of the drawings certified and agreed to by contract with APC if applicable thereto (“Specifications”). It is understood that the specifications are not warranties of performance and not warranties of fitness for a particular purpose.

Exclusions

APC shall not be liable under the warranty if its testing and examination disclose that the alleged defect in the product does not exist or was caused by end user or any third person’s misuse, negligence, improper installation or testing. Further, APC shall not be liable under the warranty for unauthorized attempts to repair or modify wrong or inadequate electrical voltage or connection, inappropriate on-site operation conditions, corrosive atmosphere, repair, installation, start-up by non-APC designated personnel, a change in location or operating use, exposure to the elements, Acts of God, fire, theft, or installation contrary to APC recommendations or specifications or in any event if the APC serial number has been altered, defaced, or removed, or any other cause beyond the range of the intended use.

THERE ARE NO WARRANTIES, EXPRESS OR IMPLIED, BY OPERATION OF LAW OR OTHERWISE, OF PRODUCTS SOLD, SERVICED OR FURNISHED UNDER THIS AGREEMENT OR IN CONNECTION HERewith. APC DISCLAIMS ALL IMPLIED WARRANTIES OF MERCHANTABILITY, SATISFACTION AND FITNESS FOR A PARTICULAR PURPOSE. APC EXPRESS WARRANTIES WILL NOT BE ENLARGED, DIMINISHED, OR AFFECTED BY AND NO OBLIGATION OR LIABILITY WILL ARISE OUT OF, APC RENDERING OF TECHNICAL OR OTHER ADVICE OR SERVICE IN CONNECTION WITH THE PRODUCTS. THE FOREGOING WARRANTIES AND REMEDIES ARE EXCLUSIVE AND IN LIEU OF ALL OTHER WARRANTIES AND REMEDIES. THE WARRANTIES SET FORTH ABOVE CONSTITUTE APC'S SOLE LIABILITY AND PURCHASER'S EXCLUSIVE REMEDY FOR ANY BREACH OF SUCH WARRANTIES. APC WARRANTIES EXTEND ONLY TO PURCHASER AND ARE NOT EXTENDED TO ANY THIRD PARTIES.

IN NO EVENT SHALL APC, ITS OFFICERS, DIRECTORS, AFFILIATES OR EMPLOYEES BE LIABLE FOR ANY FORM OF INDIRECT, SPECIAL, CONSEQUENTIAL OR PUNITIVE DAMAGES, ARISING OUT OF THE USE, SERVICE OR INSTALLATION, OF THE PRODUCTS, WHETHER SUCH DAMAGES ARISE IN CONTRACT OR TORT, IRRESPECTIVE OF FAULT, NEGLIGENCE OR STRICT LIABILITY OR WHETHER APC HAS BEEN ADVISED IN ADVANCE OF THE POSSIBILITY OF SUCH DAMAGES. SPECIFICALLY, APC IS NOT LIABLE FOR ANY COSTS, SUCH AS LOST PROFITS OR REVENUE, LOSS OF EQUIPMENT, LOSS OF USE OF EQUIPMENT, LOSS OF SOFTWARE, LOSS OF DATA, COSTS OF SUBSTITUENTS, CLAIMS BY THIRD PARTIES, OR OTHERWISE.

NO SALESMAN, EMPLOYEE OR AGENT OF APC IS AUTHORIZED TO ADD TO OR VARY THE TERMS OF THIS WARRANTY. WARRANTY TERMS MAY BE MODIFIED, IF AT ALL, ONLY IN WRITING SIGNED BY AN APC OFFICER AND LEGAL DEPARTMENT.

Warranty claims

Customers with warranty claims issues may access the APC customer support network through the Support page of the APC Web site, www.apc.com/support. Select your country from the country selection pull-down menu at the top of the Web page. Select the Support tab to obtain contact information for customer support in your region.

Guide Specification

Guide Specifications for InRow RDU.

THIS GUIDE SPECIFICATION IS WRITTEN IN ACCORDANCE WITH THE CONSTRUCTION SPECIFICATIONS INSTITUTE (CSI) MASTERFORMAT. THIS SECTION MUST BE CAREFULLY REVIEWED AND EDITED BY THE ARCHITECT OR THE ENGINEER TO MEET THE REQUIREMENTS OF THE PROJECT. COORDINATE THIS SECTION WITH OTHER SPECIFICATION SECTIONS IN THE PROJECT MANUAL AND WITH THE DRAWINGS. WHERE REFERENCE IS MADE THROUGHOUT THIS SECTION TO “PROVIDE”, “INSTALL”, “SUBMIT”, ETC., IT SHALL MEAN THAT THE CONTRACTOR, SUBCONTRACTOR, OR CONTRACTOR OF LOWER TIER SHALL “PROVIDE”, “INSTALL”, SUBMIT”, ETC., UNLESS OTHERWISE INDICATED.

THIS SECTION IS WRITTEN TO INCLUDE THE 2004 MASTERFORMAT AND THE 1995 MASTERFORMAT VERSIONS. WHERE APPLICABLE, THESE ITEMS ARE BRACKETED AND, IN EACH CASE, UNLESS OTHERWISE INDICATED, THE FIRST CHOICE APPLIES TO THE 2004 MASTERFORMAT AND THE SECOND CHOICE APPLIES TO THE 1995 MASTERFORMAT.

PART 1 — GENERAL

1.1 SUMMARY

- A. These specifications describe requirements for a system designed for cooling of IT equipment. The system shall be designed to distribute refrigerant to the row based (close coupled) cooling units.

1.2 DESIGN REQUIREMENTS

- A. The RDU shall be manufactured by APC, shall include supply and return refrigerant connections that may be piped to the distribution manifold installed to distribute the refrigerant to the cooling units. The unit shall be as described in the following specification as manufactured by APC.

1.3 SUBMITTALS

- A. Submittals shall be provided with the proposal and shall include: overall dimensions of the unit, electrical requirements and capacity data; typical Piping and Electrical Connection drawings.

1.4 QUALITY ASSURANCE

- A. The unit shall be factory tested prior to shipment. Testing shall include complete pressure and leak testing to ensure system integrity. The system shall be inspected for quality control before shipment.
- B. The unit shall be UL Listed to UL 1995 and CSA C22.2 No. 236.

1.5 WARRANTY

- A. With factory startup, parts and labor shall be provided with a warranty against defects for a period of 12 months from date of shipment from factory. Without factory startup, the warranty is parts only.

PART 2 — STANDARD COMPONENTS

2.1 STANDARD FEATURES

- A. The RDU shall include a heat exchanger, redundant pumps, sub-cooler, refrigerant receiver, ACDA901, modulating control valve, dual power feeds, and associated factory piping.

2.2 CABINET CONSTRUCTION

- A. The frame shall be 14 gauge formed steel and bolted together.
- B. The front and back exterior panels shall be 18 gauge steel and the side exterior panels shall be 20 gauge steel.
- C. All exterior panels and corner posts on the frame shall be powder coated black. The unit shall include front removable panels for system installation and service.
- D. The front panels shall have provisions to be locked with a key.
- E. The unit shall include casters for easy installation and leveling feet at each corner.
- F. All internal piping including headers and distribution lines shall be insulated with ½-inch (12.7 mm) closed cell insulation.

2.3 CONNECTIONS

- A. The unit shall include provisions for either top or bottom piping connections of chilled water and refrigerant. The top connections to be piped overhead attached to the ceiling structure or bottom connections to be piped through the raised floor.

2.4 PUMPS

- A. The pumps shall be factory-piped and factory wired in the pumping unit.
- B. The unit shall have 2N redundant pumps.
- C. Each pump shall be able to be replaced while unit is in operation without affecting the performance of the system.
- D. The pumps shall be able to automatically adjust the flow of refrigerant for variable capacity of the system.

2.5 HEAT EXCHANGER

- A. The heat exchanger shall be brazed-plate type, constructed of 316 stainless-steel plates.
- B. The primary side shall be piped to a chilled water source.
- C. The secondary side shall be piped to the cooling units.

2.6 WATER CONTROL VALVE

- A. A modulating chilled water valve shall control the flow of chilled water on the primary side of the heat exchanger. The valve actuator shall maintain a constant refrigerant condensing temperature for optimum cooling.

2.7 MICROPROCESSOR CONTROLLER

- A. Monitoring and Configuration: The master display shall allow monitoring and configuration of the cooling system through a menu-based control. Functions include status reporting, set-up, and temperature set points. Four LEDs report the operational status of the connected cooling system.
- B. Controls: The ACDA901 shall come equipped with control keys to allow the user to navigate between menus, select items, and input alpha numeric information.
- C. Alarms: The microprocessor controller shall activate a visible and audible alarm in the occurrence of the following events:
 - 1. Bypass valve actuator fault
 - 2. Condenser inlet temperature sensor fault
 - 3. Condenser outlet pressure sensor fault
 - 4. Condenser outlet temperature sensor fault
 - 5. Condensing temperature high violation
 - 6. Condensing temperature low violation
 - 7. CW valve actuator fault
 - 8. DC power supply 1 fault
 - 9. DC power supply 2 fault
 - 10. Discrete input abnormal
 - 11. Entering fluid temperature high violation
 - 12. Inlet water temperature sensor fault
 - 13. Internal communication fault
 - 14. Low refrigerant level
 - 15. No redundant pump
 - 16. No temperature/humidity sensors available
 - 17. Outlet water temperature sensor fault
 - 18. Persistent pumps vapor locked
 - 19. Persistent receiver pumped dry
 - 20. Primary power source failure
 - 21. Secondary power source failure
 - 22. Pump 1 discharge pressure sensor fault
 - 23. Pump 1 fault
 - 24. Pump 1 high head pressure
 - 25. Pump 2 discharge pressure sensor fault
 - 26. Pump 2 fault
 - 27. Pump 2 high head pressure
 - 28. Pumps vapor locked
 - 29. RDU communication fault
 - 30. Pump outlet temperature sensor fault

31. Receiver pumped dry
32. Refrigerant loss detected
33. Subcooler outlet temperature sensor fault
34. System stop
35. Temperature/humidity duplicate CAN address
36. Unit is in maintenance mode
37. Starting conditions not satisfied
38. Water leak detected
39. Water leak detected warning
40. Air filter service interval expired
41. Evaporation temperature below dewpoint
42. Fan 1 door open
43. Fan 1 fault
44. Fan 1 missing or wrong type
45. Fan 2 door open
46. Fan 2 fault
47. Fan 2 missing or wrong type
48. Fan 3 fault (RA only)
49. Fan 4 fault (RA only)
50. Fan 5 fault (RA only)
51. Fan type not configured
52. Group communication fault
53. Liquid inlet pressure sensor fault
54. Liquid temperature sensor fault
55. Primary power source overvoltage
56. Secondary power source overvoltage
57. Rack temperature sensor fault
58. Rack temperature high violation
59. RDU communications fault
60. Return air high temperature violation
61. Return air temperature sensor fault (front)
62. Return air temperature sensor fault (middle)
63. Return air temperature sensor fault (rear)
64. Supply air high temperature violation
65. Supply air temperature sensor fault (front)
66. Supply air temperature sensor fault (rear)
67. Unit ID needs configuration
68. Unit personality not configured
69. Vapor outlet pressure sensor failure
70. Evaporation temperature below dew point

- D. Logging: The microprocessor controller shall log and display all available events. Each alarm log shall contain time/date stamp as well as operating conditions at the time of occurrence. Controller shall display the run time hours for major components.

2.8 NETWORK MANAGEMENT CARD

- A. The unit shall include a network management card to provide management through a computer network through TCP/IP. Management through the network should include the ability to change set points as well as view and clear alarms.

2.9 SELECTABLE TOP OR BOTTOM PIPING

- A. Pipe connections for field connection from either the top or bottom of the unit. Unit connections shall be made external to the unit.
- B. Piping should be factory insulated with 1/2 inch closed cell neoprene insulation.

2.10 DUAL POWER INPUT

- A. Input Power Feeds: Dual power inputs should be a locking NEMA or IEC plug connection suitable for the input power.

2.11 DUAL REFRIGERANT PUMP POWER SUPPLIES

- A. Power Supplies: The unit shall include two power supplies, each capable of running the unit at 90% capacity in the event of a single power supply failure.
- B. Operation and Service: Power supply shall be replaceable by certified personnel.

PART 3 — IMPLEMENTATION

3.1 INSTALLATION

- A. Installation of the system shall be in accordance to the Guidelines for Installation by the manufacturer.
- B. Installation shall be performed by the manufacturer or supervised by the manufacturer service representative.
- C. Installation of piping and connections from the RDU to the distribution manifold shall be performed be supervised by the manufacturer service representative.

Note: Minimum raised floor height for bottom piping is 18 inches (357.2 mm)

3.2 STARTUP

- A. Start up of the RDU shall be performed by the manufacturer.

PART 4 — GUIDELINES FOR INSTALLATION

4.1 GENERAL

- A. The RDU provides cooled refrigerant to InRow cooling modules (CM) to achieve reliable, accurate temperature control of computer rooms, laboratories, and other environments that require close tolerance control. The unit incorporates the latest system design innovations to provide you with optimum efficiency, reliability, and accuracy of control. The RDU unit will provide years of trouble-free service when installed and maintained by technically qualified personnel. For more detailed information, see the appropriate RDU Installation manual.

4.2 ROOM PREPARATION

- A. During the design of the data center, consider ease of entry for the equipment, floor loading factors, and accessibility to piping and wiring.
- B. Seal the room with a vapor barrier to minimize moisture infiltration. (Polyethylene film is recommended for ceiling and wall applications.) Apply rubber or plastic based paints to concrete walls and floors.
- C. Insulate the room to minimize the influence of exterior heat loads. Use the minimum required amount of fresh air for make up to comply with local and national codes and regulations. Fresh air imposes extreme load variation on the cooling equipment from summer to winter and causes increased group operating costs.

4.3 SERVICE ACCESS

- A. For installation, at least 914 mm (36 in) of clear space must be left in the front of the unit.

4.4 RECEIVING THE UNIT

- A. Your RDU has been completely tested and inspected prior to shipment. To ensure that you have received the unit in excellent condition, perform a careful inspection of the crating and the unit immediately upon receipt. Verify that all parts ordered were received as specified. Report any damage discovered to the freight carrier. If necessary, contact the APC field service department for help in repairing or replacing damaged parts. While APC is not responsible for damage incurred in transit, we want to make sure that you have no undue delays in your system start-up. See the unpacking sheet and installation manual for more information.

4.5 RIGGING

- A. The unit is manufactured with a formed steel frame for maximum strength and unit integrity. However, as with all electrical and mechanical equipment, you must take care with proper rigging of your unit. When using a forklift to move the unit, use the shipping skid to protect the bottom of the unit. When using chains, cables, or rope to lift the unit, use spreader bars to prevent damage to the finished panels. Four threaded M10X16 holes are provided in the top of the frame to accommodate lifting eye bolts that can be utilized to lift the unit.

Worldwide Customer Support

Customer support is available at no charge via e-mail or telephone. Contact information is available at www.apc.com/support/contact.

© APC by Schneider Electric. APC and the APC logo are owned by Schneider Electric Industries S.A.S., American Power Conversion Corporation, or their affiliated companies. All other trademarks are property of their respective owners.