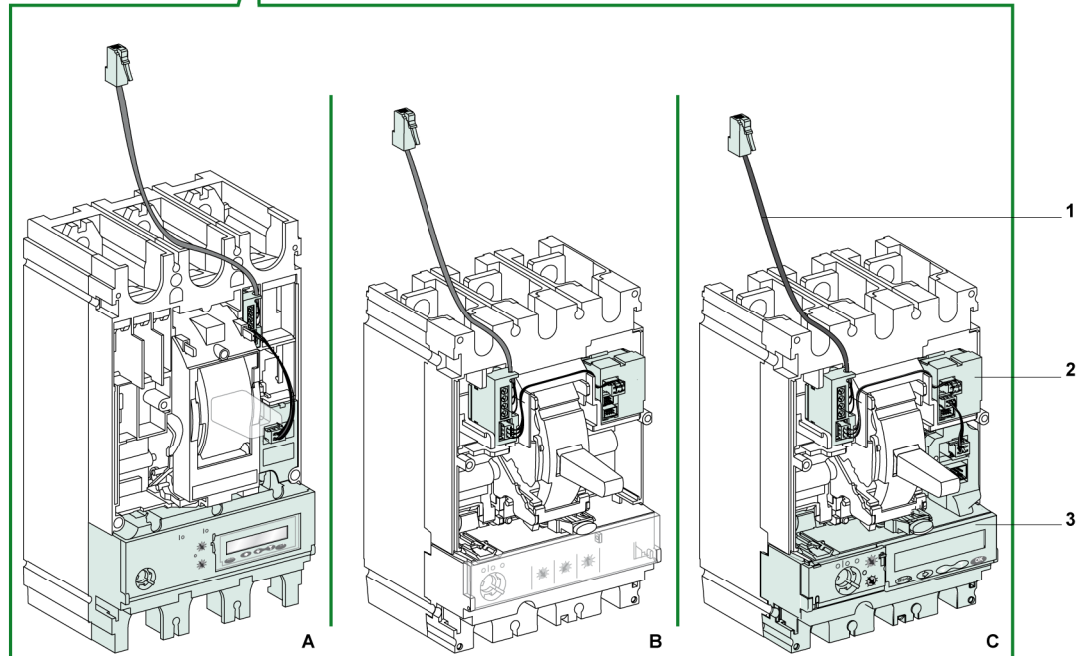


Connection to the ULP System

The figure below shows connection of the Compact NSX circuit breaker to the intelligent modular unit (IMU) by means of the NSX cord:



- 1 NSX cord
- 2 BSCM (Breaker Status and Control Module)
- 3 Micrologic 5 or 6 trip unit
- A NSX cord and Micrologic trip unit
- B NSX cord and BSCM
- C NSX cord, BSCM and Micrologic 5 or 6 trip unit