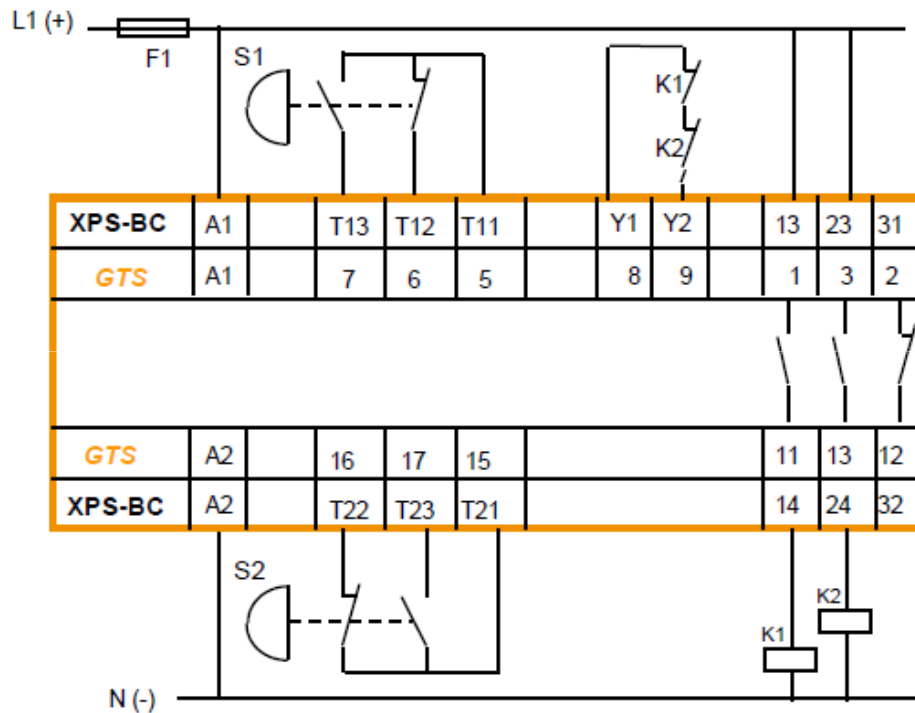


In principle a replacement of **Preventa GTS** with a **BC** or **BCE** is PIN compatible (see below).  
 (Only difficulty is the foot switch, what is explained on the next pages.)

**Substitution du GTS par XPS-BC**  
**Replacement of GTS by XPS-BC**



S1-S2 : pupitre de commande bimanuelle  
*two-hand control station*

**BC and BCE are compatible:**  
 (just new naming)

T11 -> S11

T12 -> S12

T13 -> S13

T21 -> S21

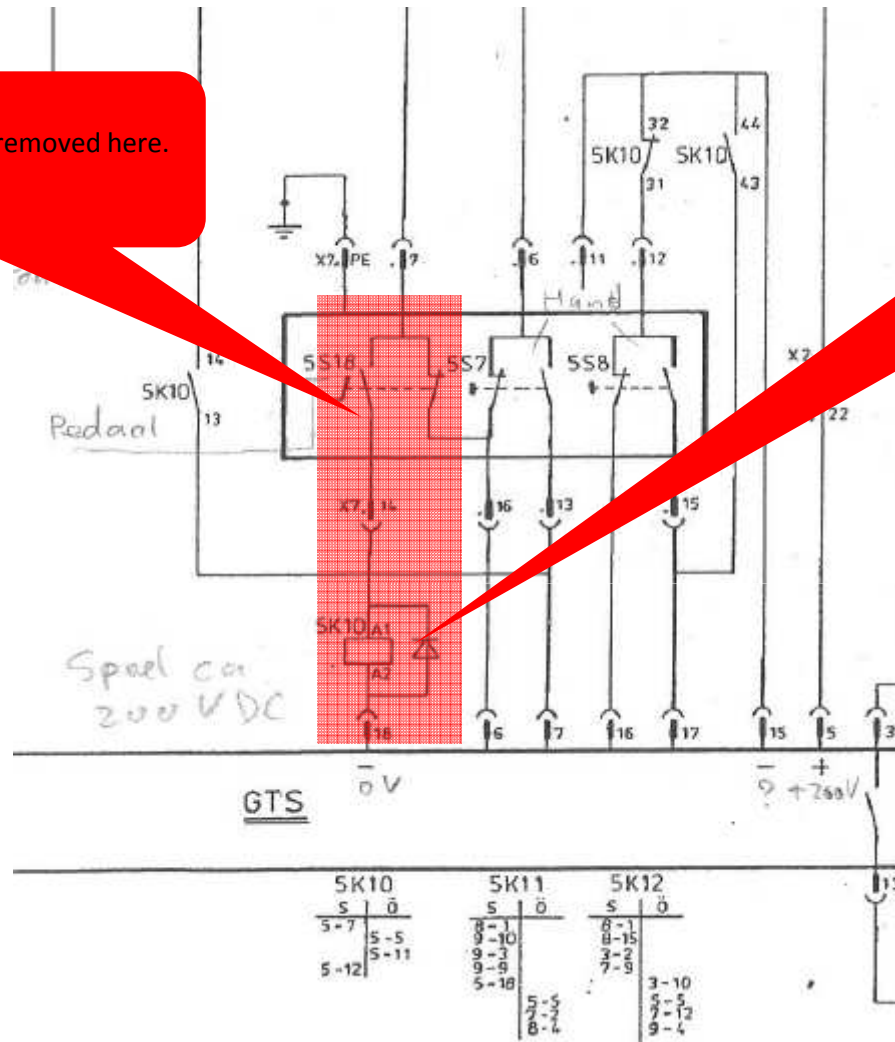
T22 -> S22

T23 -> S23



Après remplacement du produit, vérifier la compatibilité de la distance d'arrêt à vide  
 After product replacement, check by measurement the overtravel is correct

The Foot Switch has to be removed here.



The Foot Switch with the relay has to be powered independently and external from XPS-BCE.

**Reason:**

BCE uses internally only 24Vdc for the safety contacts S11 to S23. Hence an external relay (like SK10) cannot be powered by BCE!

Another option would be to use a Foot Switch with 4 contacts  
(picture below was shown in an old Preventa catalog)

