



XPS-AX Replaced by XPS-AC

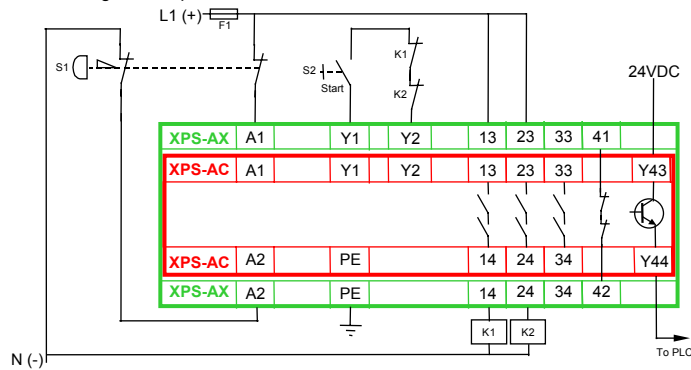


Differentiation

- XPS-AC has a solid state output for PLC signalling
- XPS-AX has one additional N/C output
- XPS-AC has choice of removable plug terminals
- XPS-AC has larger range of supply voltage selection

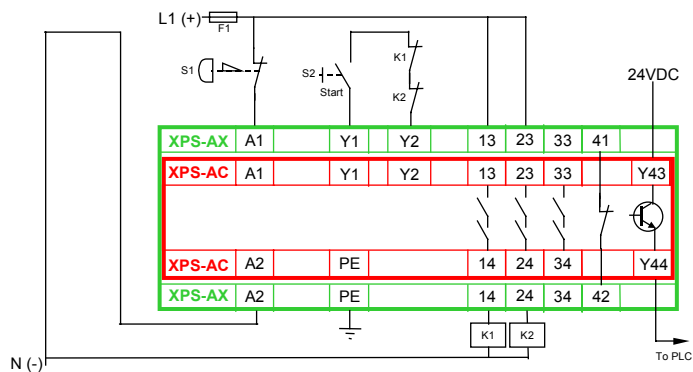
Schematic Comparison

Monitoring of E-stop with 2N/C contacts



XPS-AX Replaced by XPS-AC

Monitoring of E-stop with 1N/C contact



Cross Reference Table

Supply Voltage	Obsolete Reference	Existing Reference *
24VAC/DC	XPS-AX5120	XPS-AC5121
48VAC	-	XPS-AC1321
120VAC	-	XPS-AC3421
230VAC	-	XPS-AC3721

*add P to reference for removable plug terminals