

LUB + LUA1 + LUF N + LUA 8E20

References

Auxiliary contacts

Signalling and composition	Cabling	Item	Reference	Weight kg
1 N/C fault signalling contact (95-96) and 1 N/O contact (17-18) indicating rotary knob in "ready" position ☉	Screw clamp terminals	1 + 2	LUA1 C11	0.030
	Without connections	1	LUA1 C110	0.012
1 N/O fault signalling contact (97-98) and 1 N/O contact (17-18) indicating rotary knob in "ready" position ☉	Screw clamp terminals	1 + 2	LUA1 C20	0.030
	Without connections	1	LUA1 C200	0.012
2 N/O contacts Contacts open, rotary knob in "OFF" position ☹ Contacts closed, rotary knob in "ready" position ☉	Screw clamp terminals	6	LUA8 E20	0.048

Auxiliary contact modules for connection by screw clamp terminals

Module with 2 contacts indicating the status of the starter-controller power poles
Operation: ~ or --- 24...250 V, I th: 5 A

Composition	Item	Reference	Weight kg
2 N/O contacts (33-34 and 43-44)	3	LUF N20	0.050
1 N/C contact (31-32) and 1 N/O contact (43-44)	3	LUF N11	0.050
2 N/C contacts (31-32 and 41-42)	3	LUF N02	0.050

Accessories

Description	For use on	Item	Reference	Weight kg
Screw clamp terminal blocks	LUA1 C110	2	LU9B C11	0.022
	LUA1 C200	2	LU9B C20	0.022
Blanking covers	Location for auxiliary contact, communication or function module	4	LU9C 1	0.020
	Location for add-on contact blocks	5	LU9C 2	0.010

1

Contact states depending on the product status

	Position of rotary knob	Indication on front panel	N/O pole contact	N/C pole contact	N/O contact any fault	N/C contact any fault	⊕ N/O contact product ready
References of add-on contact blocks and auxiliary contact modules Terminal referencing	–	–	–	LUF N11 31-32	LUA1 C20 97-98	LUA1 C11 95-96	LUA1 C20 17-18
	or	–	–	LUF N02 31-32 41-42	LUA1 C200 No terminal block	LUA1 C110 No terminal block	LUA1 C200 No terminal block
	or	–	–	LUF N20 33-34 43-44	LUB9 N11 21-22	–	LUA1 C11 17-18
	or	–	–	LUF N11 43-44	–	–	LUA1 C110 No terminal block
	or	–	–	LUB9 N11 13-14	–	–	–
Off		0					
Ready to operate		0					
Start		1					
Tripped on short-circuit		I>>					
Tripped on thermal overload	Manual reset mode						
	Automatic reset on thermal overload fault mode						
	Remote reset mode						

N/O contact in closed position.

N/C contact in open position.

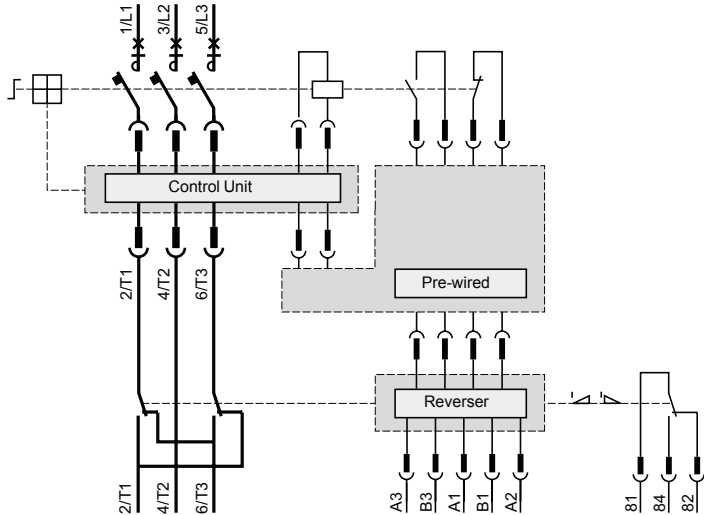
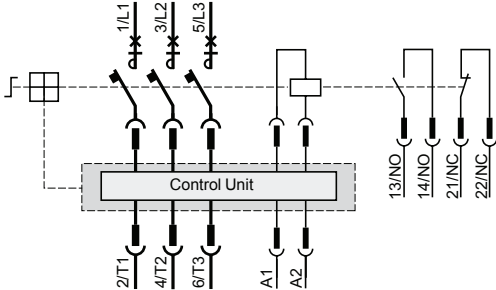
1

Starter-controllers, 12 or 32 A

With standard, advanced or multifunction control unit

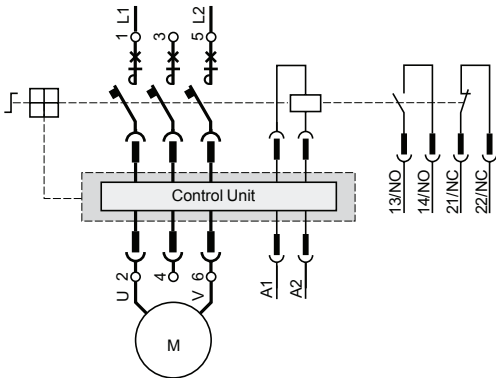
Non-reversing

Non-reversing

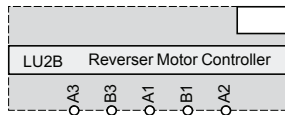


With control unit LUCC or LUCM

Connection of a single-phase motor

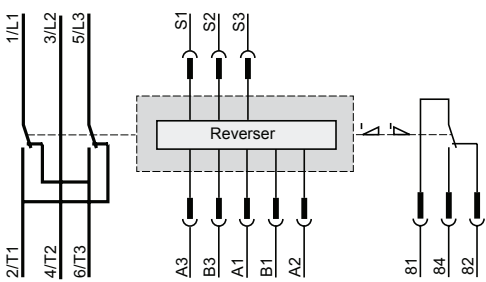


Control terminal block



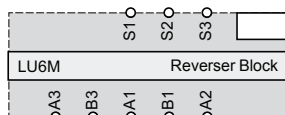
Reverser blocks

LU2M

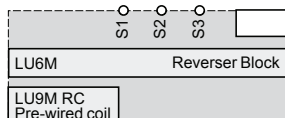


LU6M

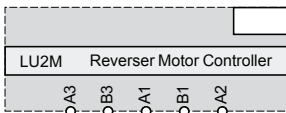
Control terminal blocks



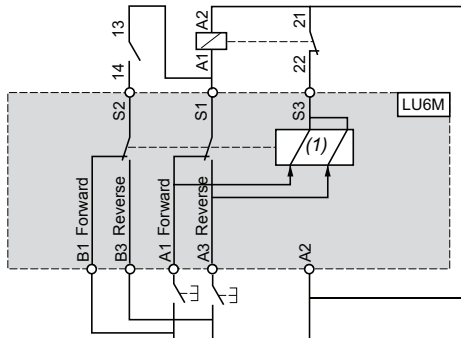
With pre-wired connector LU9 MRC



Control terminal block



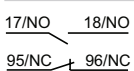
Basic scheme



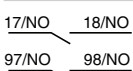
- S1 Start next stage
- S2 Electrical interlocking
- S3 Maintaining contact
- B1 Maintain forward running
- B3 Maintain reverse running
- A1 Pulse forward running
- A2 Common
- A3 Pulse reverse running
- (1) Electronically operated bistable electromagnet.

Add-on contact blocks

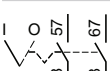
LUA1 C11



LUA1 C20

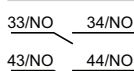


LUA8 E20

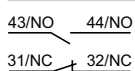


Add-on contact modules

LUFN 20



LUFN 11



LUFN 02

