

A

B

C

D

A

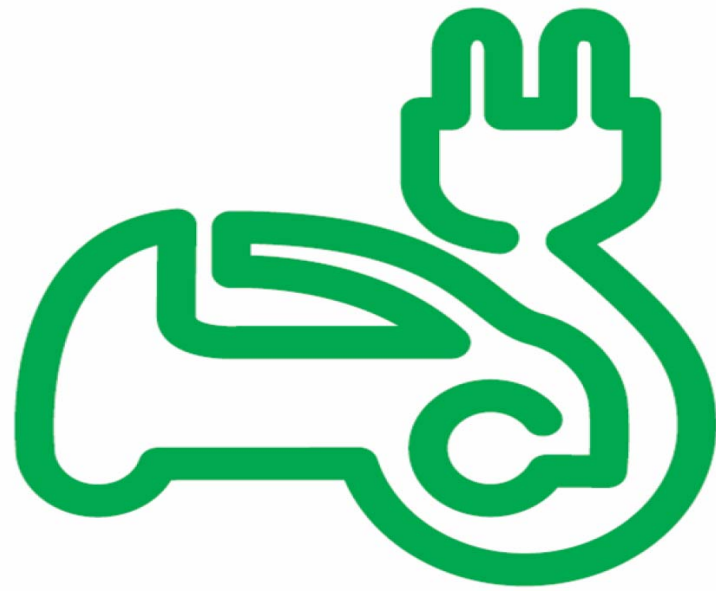
B

C

D

The technical information contained in this document is the exclusive property of Schneider Electric Industries S.A.S and cannot be used, reproduced, disclosed, or disseminated to third parties of any kind without its written consent. Only those drawings and diagrams permitted after order booking are binding for execution. All devices shown in this diagrams are in open position, drawn out with operating mechanism discharged and all power sources off.

Les informations techniques contenues dans ce document sont la propriété exclusive de Schneider Electric Industries S.A.S et ne peuvent être utilisées ou divulguées à des tiers quels qu'ils soient sans son accord écrit. Seuls nous engageons pour l'exécution les plans et schémas remis après enregistrement de la commande. Les appareils représentés sur ce schéma sont en position ouvert - désarmés - toutes sources coupées.



ELECTRICAL DIAGRAM INSTALLATION GUIDE		EVLINK PARKING CHARGING STATION	
Echelle Scale 1/1			
Unite / Department PARTNER			
Code diffusion Distribution code	Projet - No commande Project - Order No.	EAV5682300	Folio Sheet 001



Sheet Designation

Sheet Designation

001	FRONT PAGE
002	TABLE OF CONTENTS
003	CHARGING STATIONS TYPE
004	LAYOUT
005	1 PHASE - 1 SOCKET BASIC
006	1 PHASE - 2 SOCKETS BASIC
007	3 PHASES - 1 SOCKET BASIC
008	3 PHASES - 2 SOCKETS BASIC
009	1 PHASE - 2 SOCKETS OPTIMUM
010	3 PHASES - 2 SOCKETS OPTIMUM
011	CONNECTING OPTIONS 1 SOCKET EXAMPLE

The technical information contained in this document is the exclusive property of Schneider Electric Industries S.A.S and cannot be used, reproduced, disclosed, or disseminated to third parties of any kind without its written consent. Only those drawings and diagrams permitted after order booking are binding for execution. All devices shown in this diagrams are in open position, drawn out with operating mechanism discharged and all power sources off.

Les informations techniques contenues dans ce document sont la propriété exclusive de Schneider Electric Industries S.A.S et ne peuvent être utilisées ou divulguées à des tiers quels qu'ils soient sans son accord écrit. Seuls nous engageons pour l'exécution les plans et schémas remis après enregistrement de la commande. Les appareils représentés sur ce schéma sont en position ouvert - désarmés - débroschés - toutes sources coupées.

TABLE OF CONTENTS

EVLINK
PARKING CHARGING STATION



EAV5682300

Project - Order No.

Sheet
002

BASIC mode : a fault on socket power circuit will lead to a total shutdown of the station
OPTIMUM mode : a fault on socket power circuit will lead to a power shutdown of this socket only and will activate the fault signal

CHARGING STATION TYPE

N° of phases	N° of sockets	Reference	Schematic to refer	
			Basic	Optimum
1	1	EV • 1S7P02	Sheet 5	N/A
		EV • 1S7P02R		
		EV • 1S7P03		
		EV • 1S7P03R		
	2	EV • 1S7P22	Sheet 6	Sheet 9
		EV • 1S7P22R		
		EV • 1S7P33		
		EV • 1S7P33R		
3	1	EV • 1S22P02	Sheet 7	N/A
		EV • 1S22P02R		
		EV • 1S22P03		
		EV • 1S22P03R		
	2	EV • 1S22P22	Sheet 8	Sheet 10
		EV • 1S22P22R		
		EV • 1S22P33		
		EV • 1S22P33R		

PROTECTION DEFINITION

	7kW (1P+N)		22kW (3P+N)	
	MCB	RCD	MCB	RCD
Power protection	40A D Curve (Q1-Q2)	30mA Type ASI* (Q1-Q2)	40A D Curve (Q1-Q2)	30mA Type B** (Q11-Q22)
Control protection (Q3)	4A C Curve	30mA Type ASI*	4A C Curve	30mA Type ASI*

* Integrated with MCB ** Separated device

If station current is limited to 16A through commissioning, use of 20A MCB D Curve is allowed

The technical information contained in this document is the exclusive property of Schneider Electric Industries S.A.S and cannot be used or disclosed to third parties of any kind without its written consent. Only those drawings and diagrams remitted after order booking are binding for execution. All devices shown in this diagrams are in open position, drawn out with operating mechanism discharged and all power sources off.

Les informations techniques contenues dans ce document sont la propriété exclusive de Schneider Electric Industries S.A.S et ne peuvent être utilisées ou divulguées à des tiers quels qu'ils soient sans son accord écrit. Seuls nous engageons pour l'exécution les plans et schémas remis après enregistrement de la commande. Les appareils représentés sur ce schéma sont en position ouverte - débranchés - désarmés - toutes sources coupées.

CHARGING STATIONS TYPE

EVLINK
PARKING CHARGING STATION



EAV5682300

Project - Order No.

Sheet

003

Protection Device List

Schutzgeräte Liste

Liste d'appareil de protection

Power Protection									
Station Reference	No. Sockets	Power	Q No.	MCB Type	Ref. SE	FI-Protection	Ref. SE	Undervoltage release	Ref. SE
EV 1S7P02	1	7kW	Q1	iC60H 2P 40A D Curve	A9F08240	Vigi iC60 2P 63A 30mA SI	A9W31263	MNxR 230V	A9A26969
EV 1S7P02R	1	7kW	Q1	iC60H 2P 40A D Curve	A9F08240	Vigi iC60 2P 63A 30mA SI	A9W31263	MNxR 230V	A9A26969
EV 1S7P03	1	7kW	Q1	iC60H 2P 40A D Curve	A9F08240	Vigi iC60 2P 63A 30mA SI	A9W31263	MNxR 230V	A9A26969
EV 1S7P03R	1	7kW	Q1	iC60H 2P 40A D Curve	A9F08240	Vigi iC60 2P 63A 30mA SI	A9W31263	MNxR 230V	A9A26969
EV 1S7P22	2	2x7kW	Q1+Q2	iC60H 2P 40A D Curve	2 x A9F08240	Vigi iC60 2P 63A 30mA SI	2 x A9W31263	MNxR 230V	2 x A9A26969
EV 1S7P22R	2	2x7kW	Q1+Q2	iC60H 2P 40A D Curve	2 x A9F08240	Vigi iC60 2P 63A 30mA SI	2 x A9W31263	MNxR 230V	2 x A9A26969
EV 1S7P33	2	2x7kW	Q1+Q2	iC60H 2P 40A D Curve	2 x A9F08240	Vigi iC60 2P 63A 30mA SI	2 x A9W31263	MNxR 230V	2 x A9A26969
EV 1S7P33R	2	2x7kW	Q1+Q2	iC60H 2P 40A D Curve	2 x A9F08240	Vigi iC60 2P 63A 30mA SI	2 x A9W31263	MNxR 230V	2 x A9A26969
EV 1S22P02	1	22kW	Q1	iC60H 4P 40A D Curve	A9F08440	FI ID 4P 40A 30mA Typ B	16752	MNxR 230V	A9A26969
EV 1S22P02R	1	22kW	Q1	iC60H 4P 40A D Curve	A9F08440	FI ID 4P 40A 30mA Typ B	16752	MNxR 230V	A9A26969
EV 1S22P03	1	22kW	Q1	iC60H 4P 40A D Curve	A9F08440	FI ID 4P 40A 30mA Typ B	16752	MNxR 230V	A9A26969
EV 1S22P03R	1	22kW	Q1	iC60H 4P 40A D Curve	A9F08440	FI ID 4P 40A 30mA Typ B	16752	MNxR 230V	A9A26969
EV 1S22P22	2	2x22kW	Q1+Q2	iC60H 4P 40A D Curve	2 x A9F08440	FI ID 4P 40A 30mA Typ B	2 x 16752	MNxR 230V	A9A26969
EV 1S22P22R	2	2x22kW	Q1+Q2	iC60H 4P 40A D Curve	2 x A9F08440	FI ID 4P 40A 30mA Typ B	2 x 16752	MNxR 230V	A9A26969
EV 1S22P33	2	2x22kW	Q1+Q2	iC60H 4P 40A D Curve	2 x A9F08440	FI ID 4P 40A 30mA Typ B	2 x 16752	MNxR 230V	A9A26969
EV 1S22P33R	2	2x22kW	Q1+Q2	iC60H 4P 40A D Curve	2 x A9F08440	FI ID 4P 40A 30mA Typ B	2 x 16752	MNxR 230V	A9A26969

Protection Device List

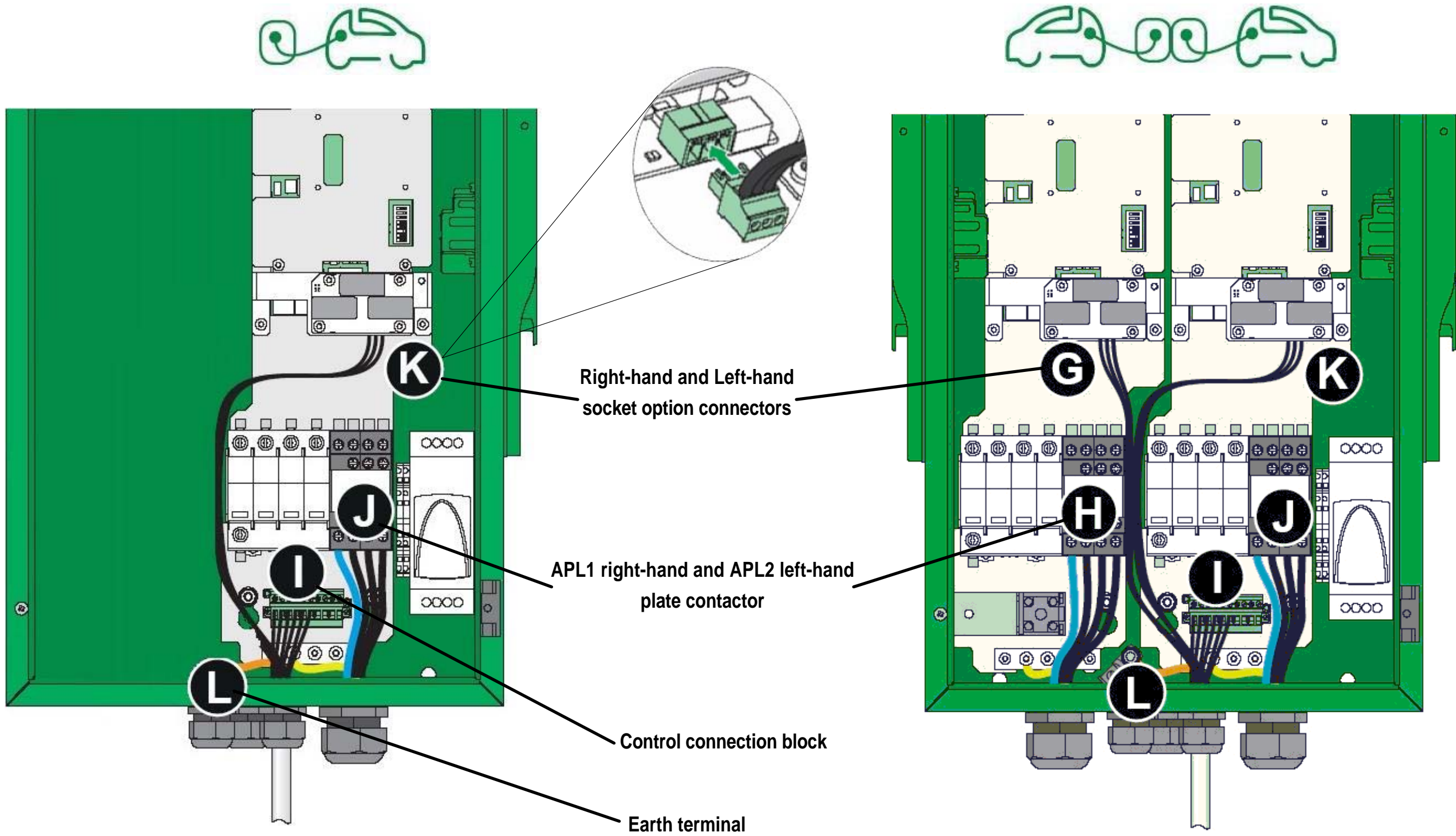
Schutzgeräte Liste

Liste d'appareil de protection

Control Protection									
Station Reference	No. Sockets	Power	Q No.	MCB Type	Ref. SE	FI-Protection	SE Ref.	Basic undervoltage release	Ref. SE
EV 1S7P02	1	7kW	Q3	iC60H 2P 4A C Curve	A9F08204	Vigi iC60 2P 25A 30mA SI	A9W31225	MNxR 230V	A9A26969
EV 1S7P02R	1	7kW	Q3	iC60H 2P 4A C Curve	A9F08204	Vigi iC60 2P 25A 30mA SI	A9W31225	MNxR 230V	A9A26969
EV 1S7P03	1	7kW	Q3	iC60H 2P 4A C Curve	A9F08204	Vigi iC60 2P 25A 30mA SI	A9W31225	MNxR 230V	A9A26969
EV 1S7P03R	1	7kW	Q3	iC60H 2P 4A C Curve	A9F08204	Vigi iC60 2P 25A 30mA SI	A9W31225	MNxR 230V	A9A26969
EV 1S7P22	2	2x7kW	Q3	iC60H 2P 4A C Curve	A9F08204	Vigi iC60 2P 25A 30mA SI	A9W31225	MNxR 230V	A9A26969
EV 1S7P22R	2	2x7kW	Q3	iC60H 2P 4A C Curve	A9F08204	Vigi iC60 2P 25A 30mA SI	A9W31225	MNxR 230V	A9A26969
EV 1S7P33	2	2x7kW	Q3	iC60H 2P 4A C Curve	A9F08204	Vigi iC60 2P 25A 30mA SI	A9W31225	MNxR 230V	A9A26969
EV 1S7P33R	2	2x7kW	Q3	iC60H 2P 4A C Curve	A9F08204	Vigi iC60 2P 25A 30mA SI	A9W31225	MNxR 230V	A9A26969
EV 1S22P02	1	22kW	Q3	iC60H 2P 4A C Curve	A9F08204	Vigi iC60 2P 25A 30mA SI	A9W31225	MNxR 230V	A9A26969
EV 1S22P02R	1	22kW	Q3	iC60H 2P 4A C Curve	A9F08204	Vigi iC60 2P 25A 30mA SI	A9W31225	MNxR 230V	A9A26969
EV 1S22P03	1	22kW	Q3	iC60H 2P 4A C Curve	A9F08204	Vigi iC60 2P 25A 30mA SI	A9W31225	MNxR 230V	A9A26969
EV 1S22P03R	1	22kW	Q3	iC60H 2P 4A C Curve	A9F08204	Vigi iC60 2P 25A 30mA SI	A9W31225	MNxR 230V	A9A26969
EV 1S22P22	2	2x22kW	Q3	iC60H 2P 4A C Curve	A9F08204	Vigi iC60 2P 25A 30mA SI	A9W31225	MNxR 230V	A9A26969
EV 1S22P22R	2	2x22kW	Q3	iC60H 2P 4A C Curve	A9F08204	Vigi iC60 2P 25A 30mA SI	A9W31225	MNxR 230V	A9A26969
EV 1S22P33	2	2x22kW	Q3	iC60H 2P 4A C Curve	A9F08204	Vigi iC60 2P 25A 30mA SI	A9W31225	MNxR 230V	A9A26969
EV 1S22P33R	2	2x22kW	Q3	iC60H 2P 4A C Curve	A9F08204	Vigi iC60 2P 25A 30mA SI	A9W31225	MNxR 230V	A9A26969

1 SOCKET VERSION

2 SOCKETS VERSION



Right-hand and Left-hand socket option connectors

APL1 right-hand and APL2 left-hand plate contactor

Control connection block

Earth terminal

The technical information contained in this document is the exclusive property of Schneider Electric Industries S.A.S and cannot be used or disclosed to third parties of any kind without its written consent. Only those drawings and diagrams remitted after order booking are binding for execution. All devices shown in this diagrams are in open position, drawn out with operating mechanism discharged and all power sources off.

Les informations techniques contenues dans ce document sont la propriété exclusive de Schneider Electric Industries S.A.S et ne peuvent être utilisées ou divulguées à des tiers qu'avec son accord écrit. Seuls nos engagements pour l'exécution des plans et schémas remis après enregistrement de la commande. Les appareils représentés sur ce schéma sont en position ouverte - désarmés - débranchés - toutes sources coupées.

LAYOUT

EVLINK
PARKING CHARGING STATION



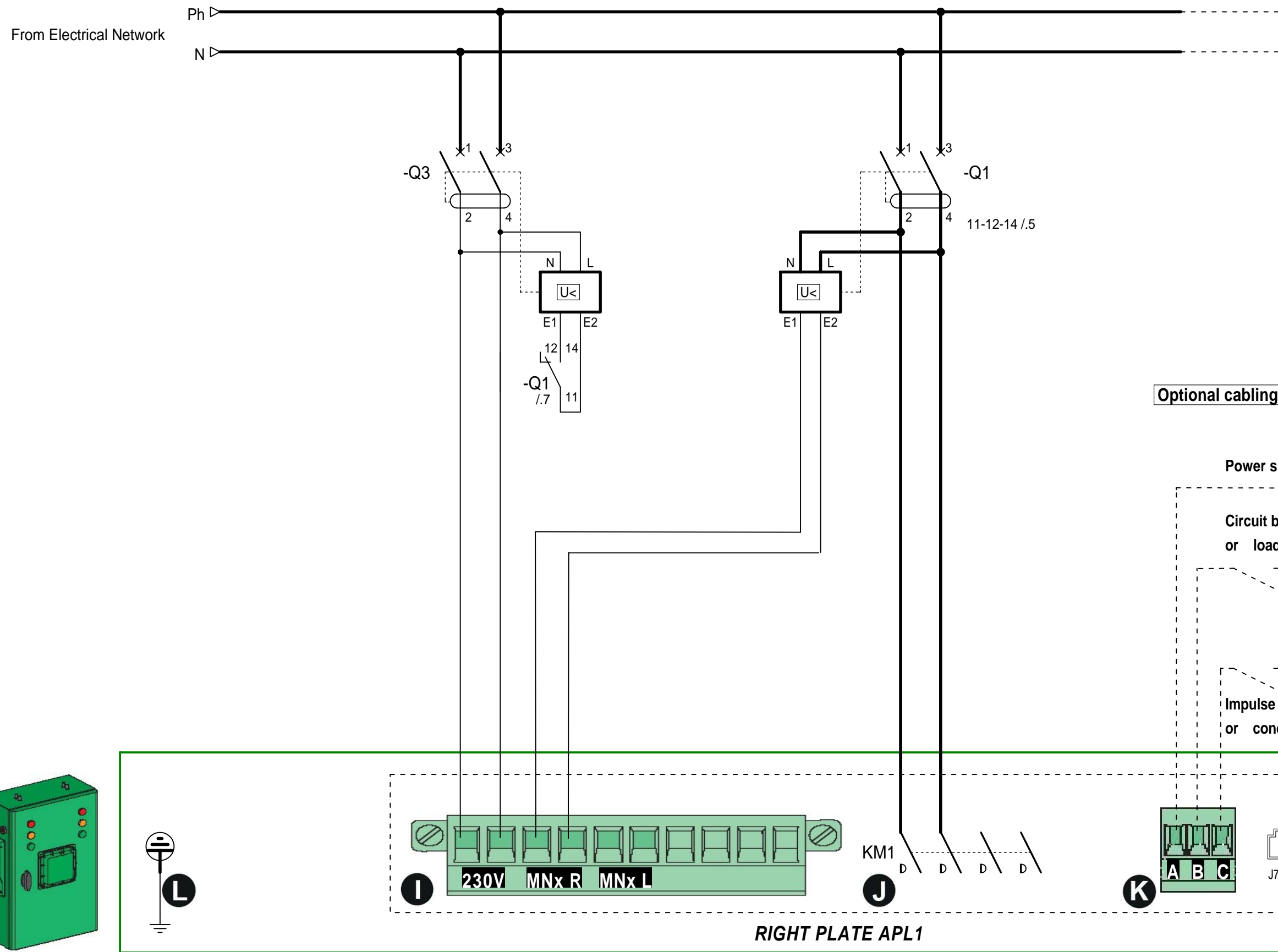
EAV5682300

Project - Order No.

Sheet

004

BASIC / SINGLE PHASE / 1 SOCKET



The technical information contained in this document is the exclusive property of Schneider Electric Industries S.A.S and cannot be used or disclosed to third parties in any kind without its written consent. Only those drawings and diagrams remitted after order booking are binding for execution. All devices shown in this diagrams are in open position, drawn out with operating mechanism discharged and all power sources off.

Les informations techniques contenues dans ce document sont la propriété exclusive de Schneider Electric Industries S.A.S et ne peuvent être utilisées ou divulguées à des tiers qu'avec son accord écrit. Seuls nos engagements pour l'exécution des plans et schémas remis après enregistrement de la commande. Les appareils représentés sur ce schéma sont en position ouverte - débranchés - toutes sources coupées.

1 PHASE - 1 SOCKET
BASIC

EVLINK
PARKING CHARGING STATION



EAV5682300

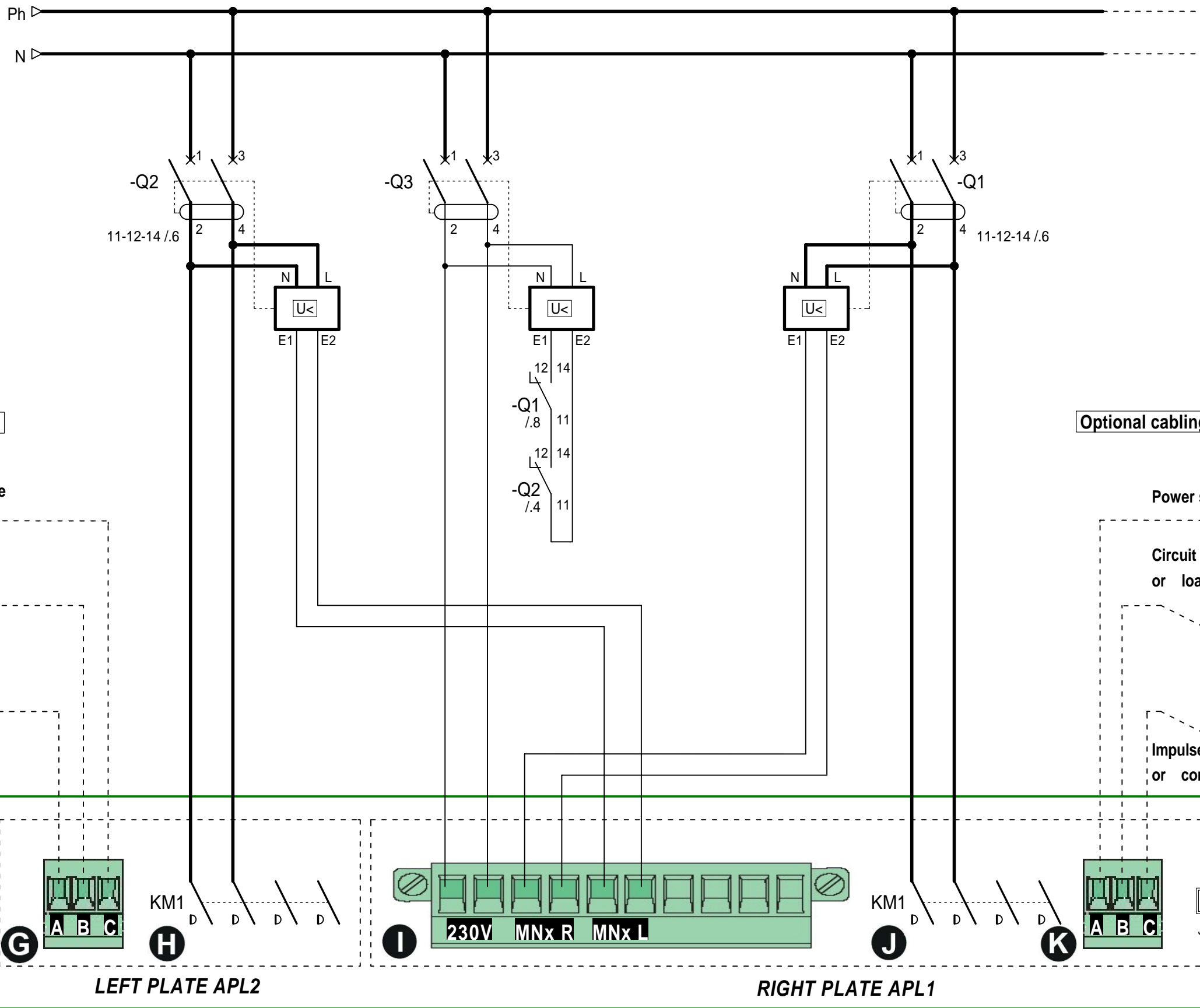
Project - Order No. Sheet
005

BASIC / SINGLE PHASE / 2 SOCKETS

The technical information contained in this document is the exclusive property of Schneider Electric Industries S.A.S and cannot be used or disclosed to third parties of any kind without its written consent. Only those drawings and diagrams remitted after order booking are binding for execution. All devices shown in this diagrams are in open position, drawn out with operating mechanism discharged and all power sources off.

 Les informations techniques contenues dans ce document sont la propriété exclusive de Schneider Electric Industries S.A.S et ne peuvent être utilisées ou divulguées à des tiers quels qu'ils soient sans son accord écrit. Seuls nos engagements pour l'exécution des plans et schémas remis après enregistrement de la commande. Les appareils représentés sur ce schéma sont en position ouvert - désarmés - débroschés - toutes sources coupées.

From Electrical Network

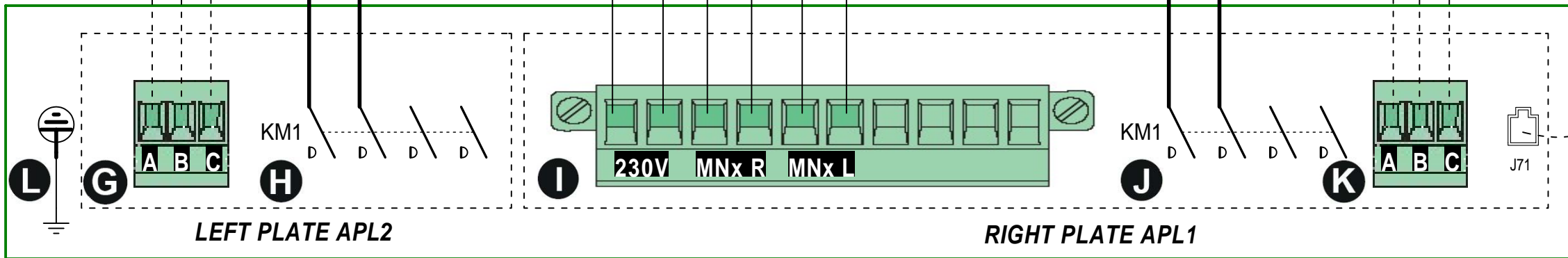
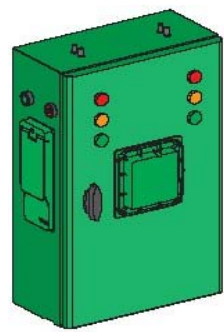


Optional cabling - Refer to page 011

Optional cabling - Refer to page 011

Impulse counting
or conditional outgoing line
 +24VDC External
 Circuit breaker status
or load shedding status
 0V
 Power supply isolated GND

Power supply isolated GND
 0V
 Circuit breaker status
or load shedding status
 +24VDC External
 Impulse counting
or conditional outgoing line



LEFT PLATE APL2

RIGHT PLATE APL1

1 PHASE - 2 SOCKETS
BASIC

EVLINK
PARKING CHARGING STATION



EAV5682300

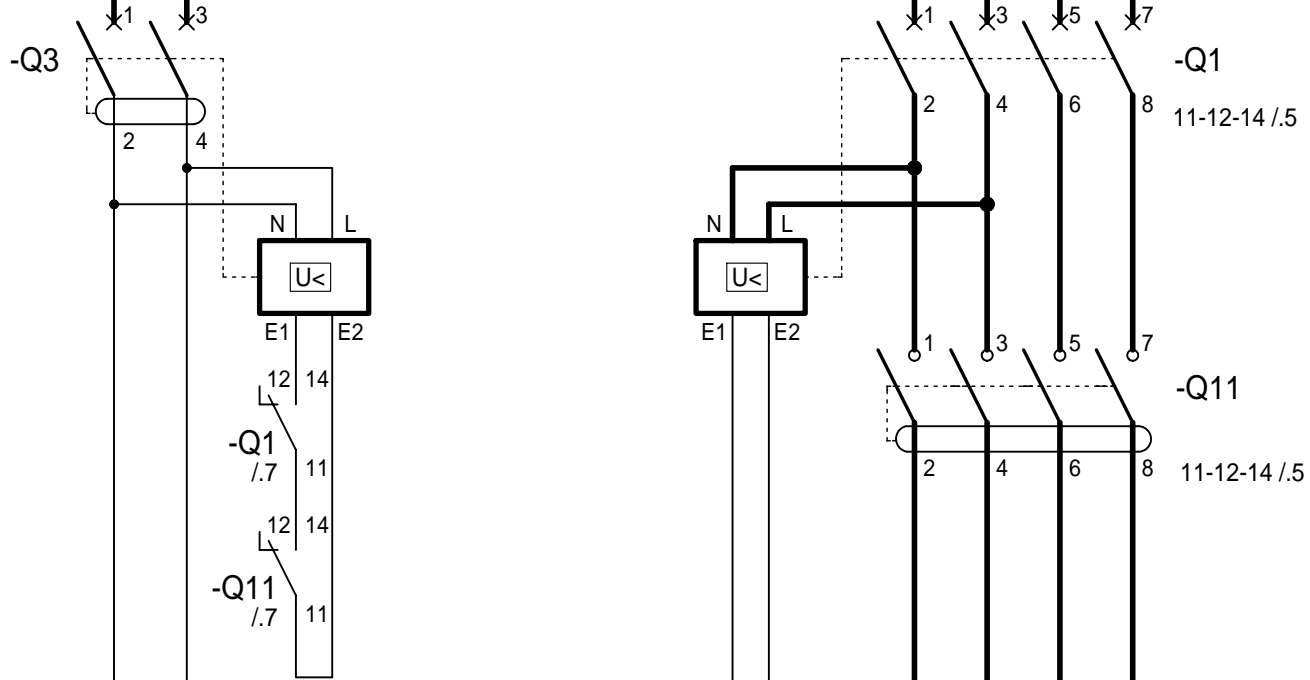
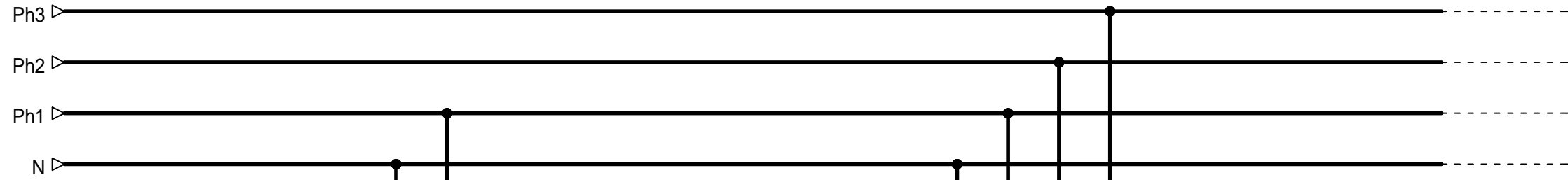
Project - Order No.

Sheet

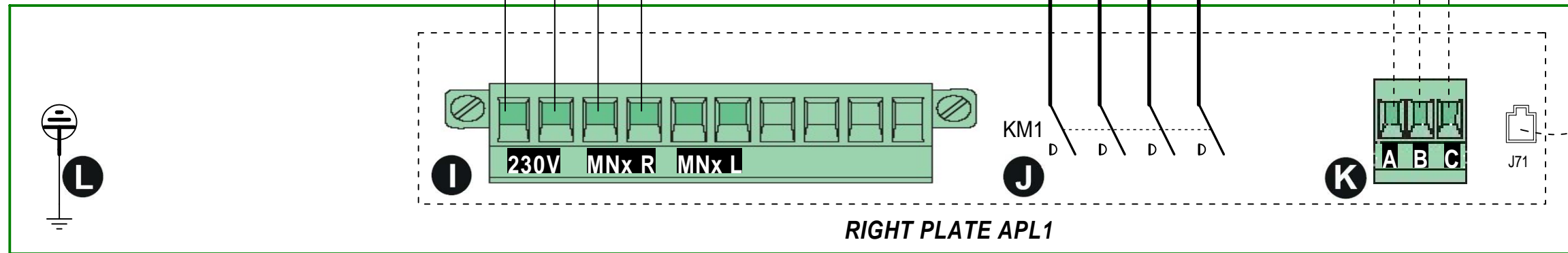
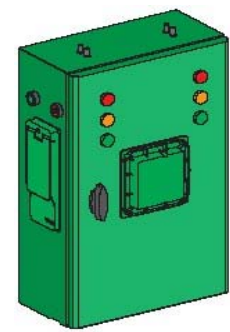
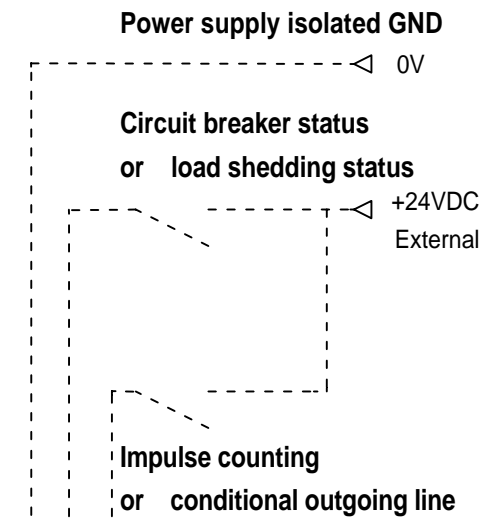
006

BASIC / THREE PHASES / 1 SOCKET

From Electrical Network



Optional cabling - Refer to page 011



The technical information contained in this document is the exclusive property of Schneider Electric Industries S.A.S and cannot be used or disclosed to third parties of any kind without its written consent. Only those drawings and diagrams remitted after order booking are binding for execution. All devices shown in this diagrams are in open position, drawn out with operating mechanism discharged and all power sources off.

Les informations techniques contenues dans ce document sont la propriété exclusive de Schneider Electric Industries S.A.S et ne peuvent être utilisées ou divulguées à des tiers qu'avec son accord écrit. Seuls nos engagements pour l'exécution des plans et schémas remis après enregistrement de la commande. Les appareils représentés sur ce schéma sont en position ouverte - désarmés - toutes sources coupées.

3 PHASES - 1 SOCKET
BASIC

EVLINK
PARKING CHARGING STATION



EAV5682300

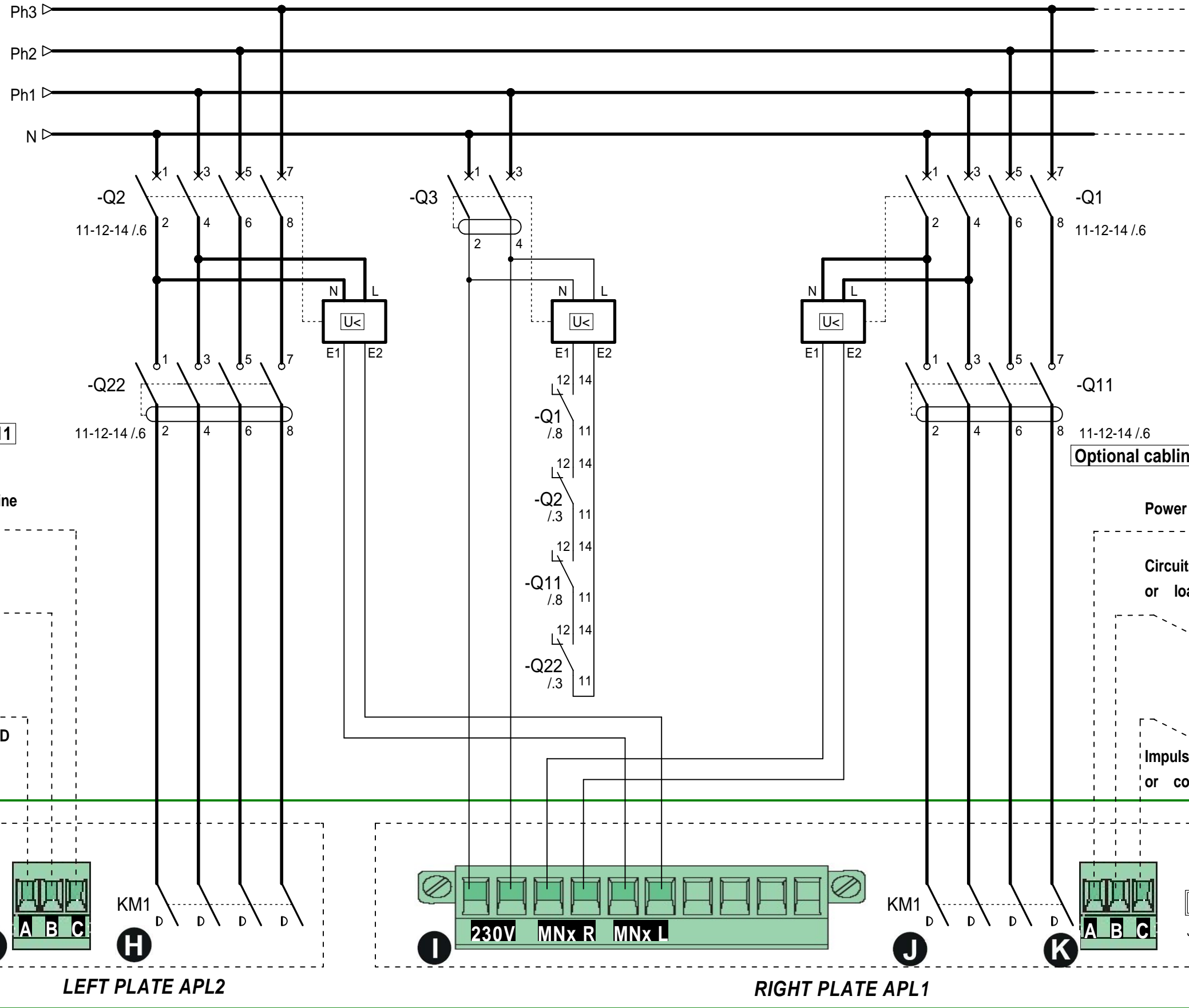
Project - Order No. Sheet
007

BASIC / THREE PHASES / 2 SOCKETS

The technical information contained in this document is the exclusive property of Schneider Electric Industries S.A.S and cannot be used or disclosed to third parties without its written consent. Only those drawings and diagrams remitted after order booking are binding for execution. All devices shown in this diagrams are in open position, drawn out with operating mechanism discharged and all power sources off.

 Les informations techniques contenues dans ce document sont la propriété exclusive de Schneider Electric Industries S.A.S et ne peuvent être utilisées ou divulguées à des tiers qu'après son accord écrit. Seuls nos engagements pour l'exécution des plans et schémas remis après enregistrement de la commande. Les appareils représentés sur ce schéma sont en position ouverte - désarmés - toutes sources coupées.

From Electrical Network



Optional cabling - Refer to page 011

Optional cabling - Refer to page 011

Impulse counting
or conditional outgoing line

Power supply isolated GND

+24VDC
External

0V

Circuit breaker status
or load shedding status

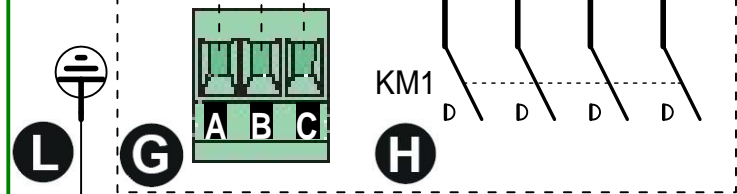
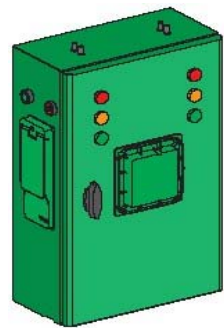
Circuit breaker status
or load shedding status

+24VDC
External

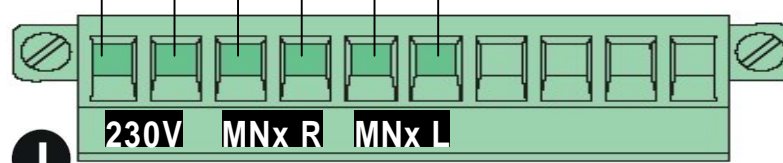
0V

Power supply isolated GND

Impulse counting
or conditional outgoing line



LEFT PLATE APL2



RIGHT PLATE APL1

3 PHASES - 2 SOCKETS
BASIC

EVLINK
PARKING CHARGING STATION



EAV5682300

Project - Order No.

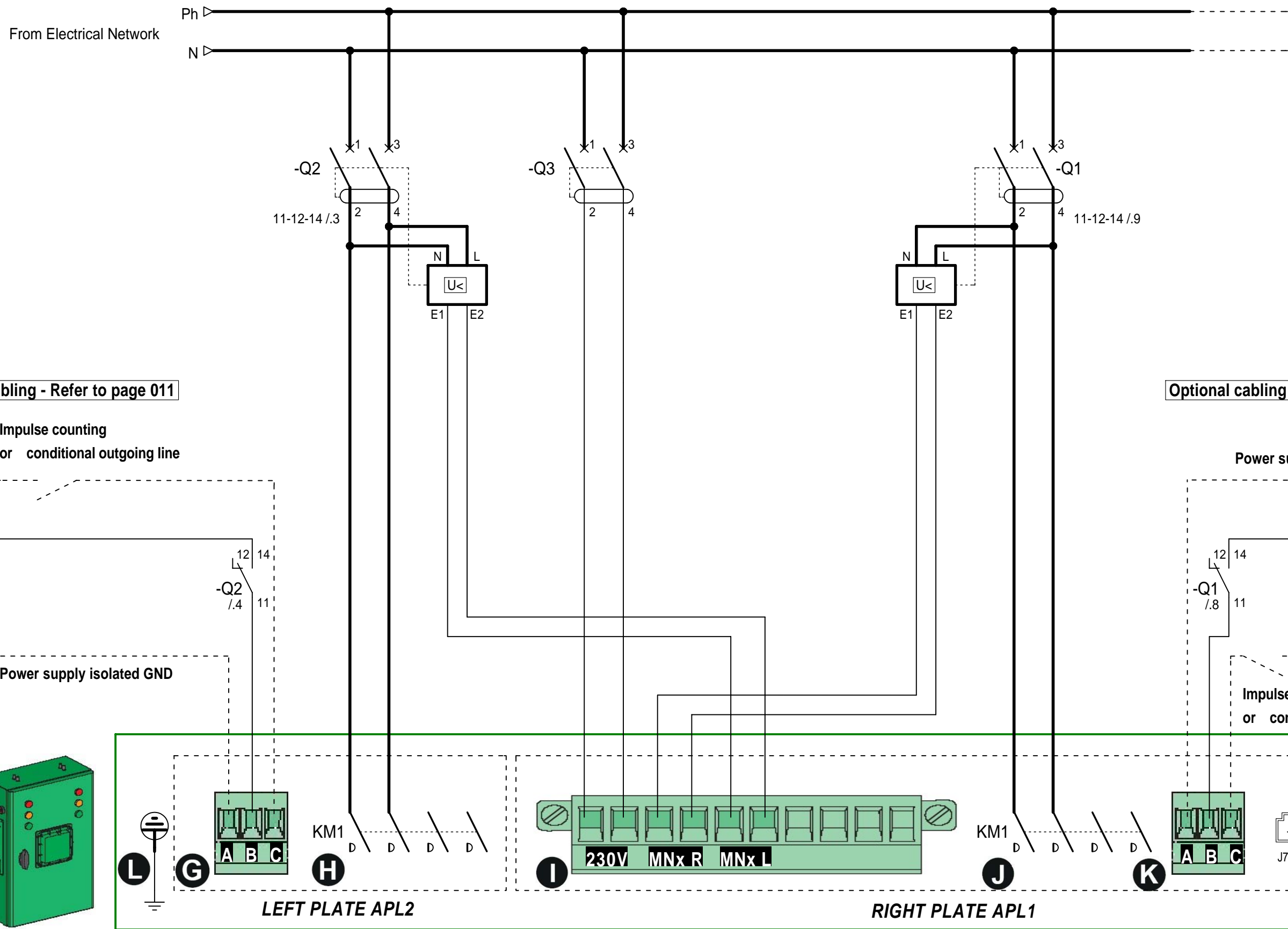
Sheet

008

OPTIMUM / SINGLE PHASE / 2 SOCKETS

The technical information contained in this document is the exclusive property of Schneider Electric Industries S.A.S and cannot be used or disclosed to third parties without its written consent. Only those drawings and diagrams remitted after order booking are binding for execution. All devices shown in this diagrams are in open position, drawn out with operating mechanism discharged and all power sources off.

 Les informations techniques contenues dans ce document sont la propriété exclusive de Schneider Electric Industries S.A.S et ne peuvent être utilisées ou divulguées à des tiers qu'avec son accord écrit. Seuls nos engagements pour l'exécution des plans et schémas remis après enregistrement de la commande. Les appareils représentés sur ce schéma sont en position ouverte - désarmés - débranchés - toutes sources coupées.



5

1 PHASE - 2 SOCKETS
OPTIMUM

EVLINK
PARKING CHARGING STATION

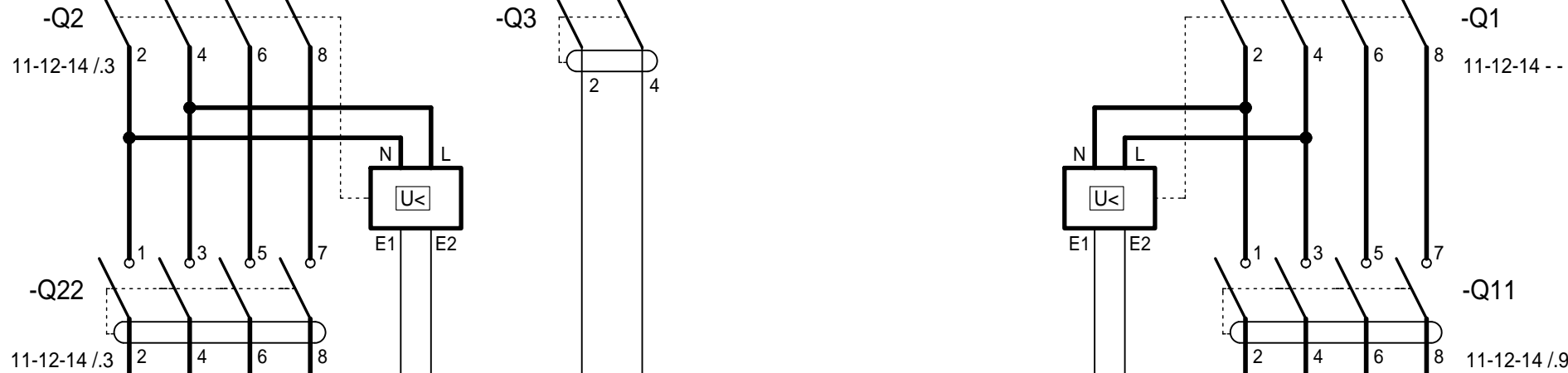
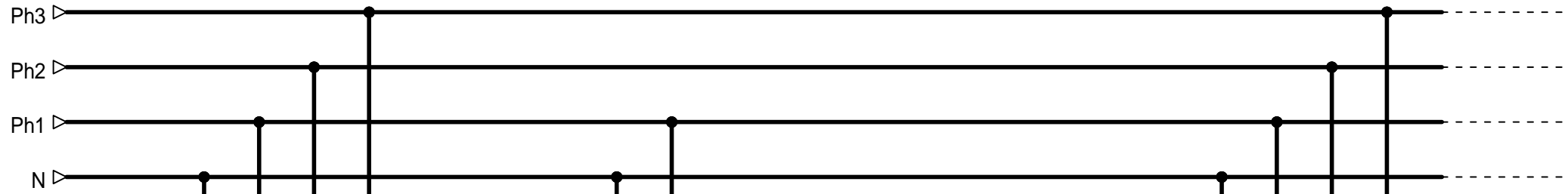


EAV5682300

Project - Order No. Sheet
009

OPTIMUM / THREE PHASES / 2 SOCKETS

From Electrical Network

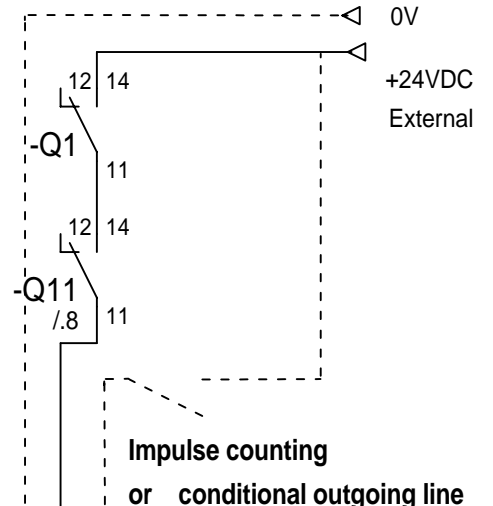
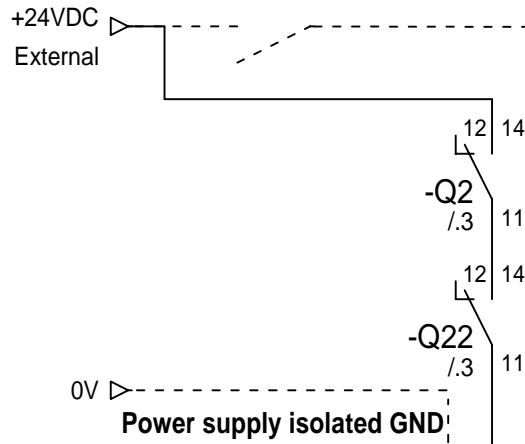


Optional cabling - Refer to page 011

Optional cabling - Refer to page 011

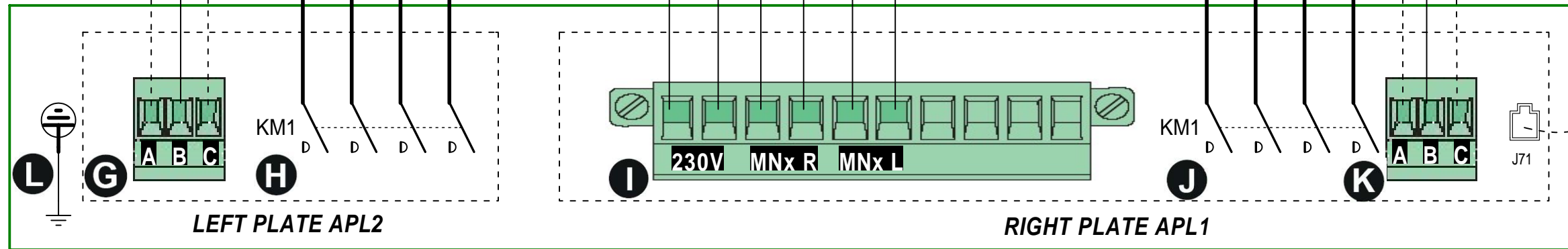
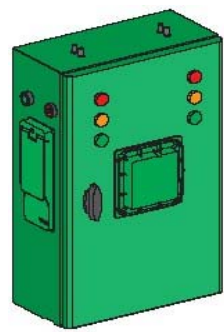
Impulse counting or conditional outgoing line

Power supply isolated GND



Power supply isolated GND

Impulse counting or conditional outgoing line



LEFT PLATE APL2

RIGHT PLATE APL1

3 PHASES - 2 SOCKETS
OPTIMUM

EVLINK
PARKING CHARGING STATION



EAV5682300

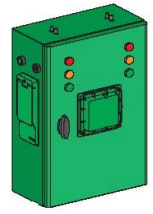
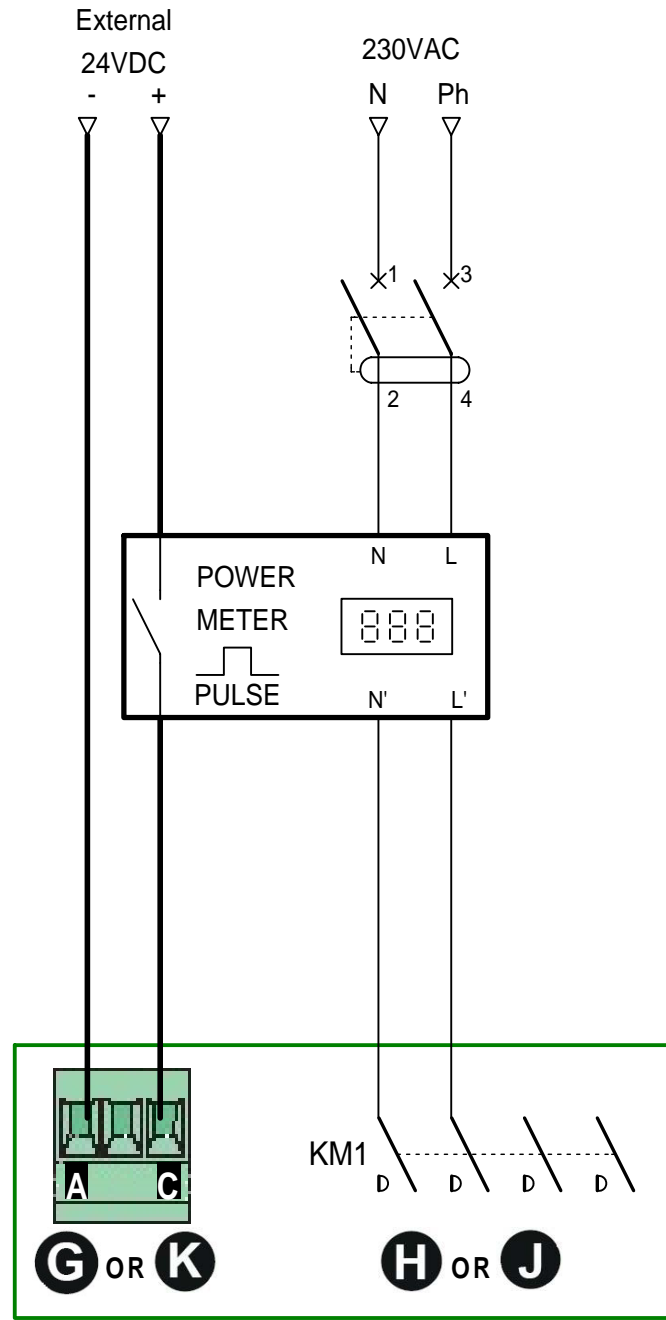
Project - Order No. Sheet
010

The technical information contained in this document is the exclusive property of Schneider Electric Industries S.A.S and cannot be used or disclosed to third parties without its written consent. Only those drawings and diagrams remitted after order booking are binding for execution. All devices shown in this diagrams are in open position, drawn out with operating mechanism discharged and all power sources off.

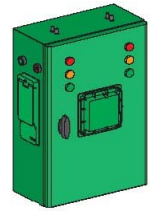
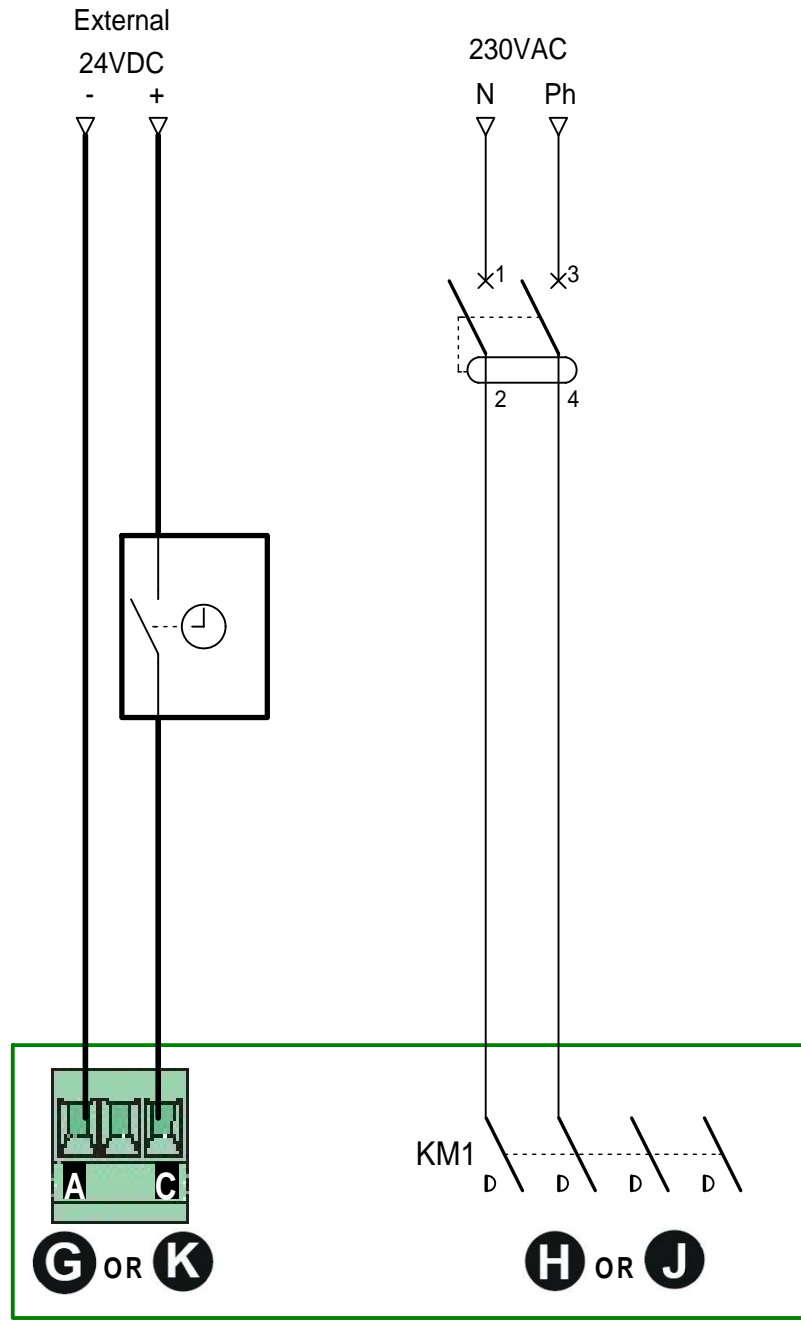
Les informations techniques contenues dans ce document sont la propriété exclusive de Schneider Electric Industries S.A.S et ne peuvent être utilisées ou divulguées à des tiers qu'avec son accord écrit. Seuls nos engagements pour l'exécution des plans et schémas remis après enregistrement de la commande. Les appareils représentés sur ce schéma sont en position ouverte - débranchés - toutes sources coupées.

OPTIONS HAVE TO BE CHOSEN AND ACTIVATED VIA COMMISSIONING TOOL - cf DOCA0060

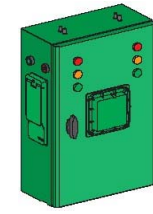
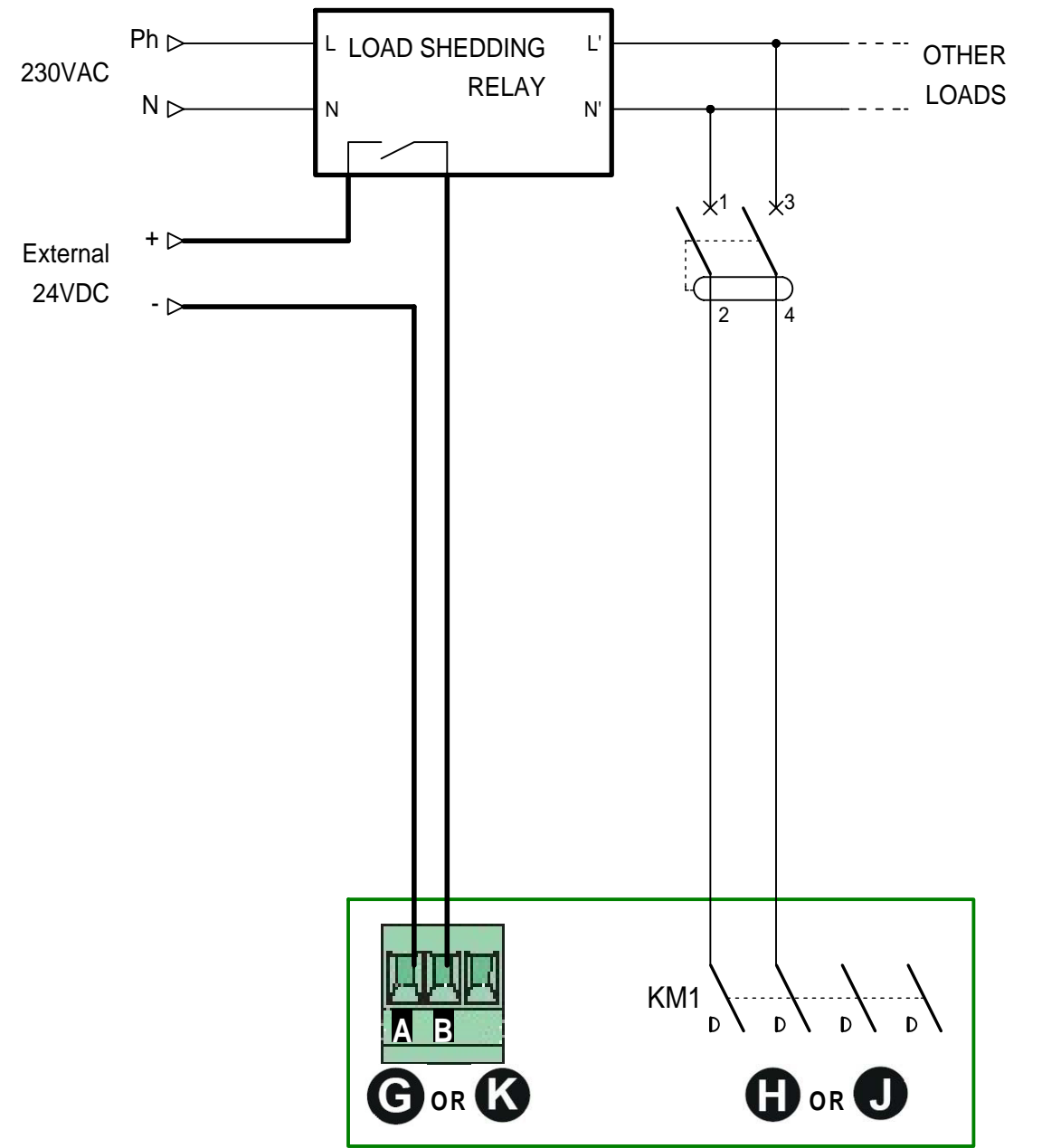
Impulse counting



Conditional outgoing line



Load shedding



CONNECTING OPTIONS
1 SOCKET EXAMPLE

EVLINK
PARKING CHARGING STATION



EAV5682300

Project - Order No.

Sheet

011

The technical information contained in this document is the exclusive property of Schneider Electric Industries S.A.S and cannot be used or disclosed to third parties without its written consent. Only those drawings and diagrams remitted after order booking are binding for execution. All devices shown in this diagrams are in open position, drawn out with operating mechanism discharged and all power sources off.

Les informations techniques contenues dans ce document sont la propriété exclusive de Schneider Electric Industries S.A.S et ne peuvent être utilisées ou divulguées à des tiers sans son accord écrit. Seuls nos engagements pour l'exécution des plans et schémas remis après enregistrement de la commande. Les appareils représentés sur ce schéma sont en position ouverte - désarmés - débranchés - toutes sources coupées.