

Contents

1 How to Exchange the Flash Disk..... 2

1.1 In General 2

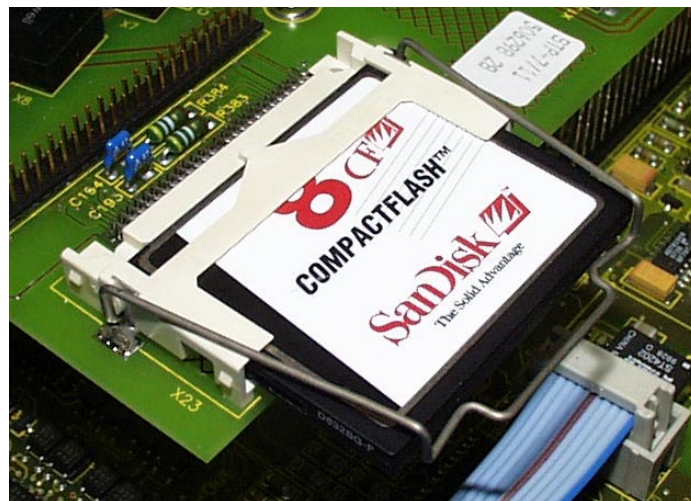
1.2 Remove PacController MAx-4 2

1.3 Open and Prepare MAx-4 PacController 3

1.4 Exchange Flash Disk 4

1.5 Close MAx-4 PacController 6

1.6 Service Addresses 7



Created::	16.10.2000 J. Pfarr	No. of pages:	1
Checked:	17.10.2000 P. Schäfer / P. Neeser	Issued:	11.01.2001
Released:	17.10.2000 J. Pfarr	Replaces issue of:	
Distributed:			
Doc.No.:	K:\PROJEKTE\DOKU\PacdriveMMitteilung\ApplicationNotes\AppNote_03\AN_PDM_ChangFlash_us_01a4100.doc		

1 How to Exchange the Flash Disk

1.1 In General



DANGER!

Dangerous electric voltage!

Before working on electrical installations, lift main switch and secure against switch-on.

The drives must be standing safely, as life-threatening voltages may occur on the motor lines with servo motors in generator operation.

Do not disconnect connector plugs under voltage.



CAUTION!

Static charge!

The electronics of your components may be damaged!

Please observe the following notes to avoid damage:

Touch the boards only on the edges. Do not touch connections or components.

Before touching the boards, you should degrade any possible static charge. For this purpose, touch an earthed metallic surface, e.g. the casing.

Do not place the boards on a metal surface.

Move the boards as little as possible to avoid the creation of static charge due to clothing, carpets or furniture.

1.2 Remove PacController MAX-4

- Lift main switch
- Secure against switch-on



DANGER!

Dangerous electric voltage, even after disconnection from mains!

After disconnection from mains, wait for at least two minutes, until the installed capacitors are discharged.



CAUTION!

Risk of burns due to hot surfaces of the MC-4 MotorControllers and the brake modules!

Wait until the MotorControllers and brake modules have cooled off, or wear protective gloves.

- Disconnect Max-4 PacController from power supply.
- Open screws on the top and bottom of the casing. Remove Mx-4.

1.3 Open and Prepare Mx-4 PacController

- Remove cover (4 recessed head screws)
- Remove IDE cable on X22

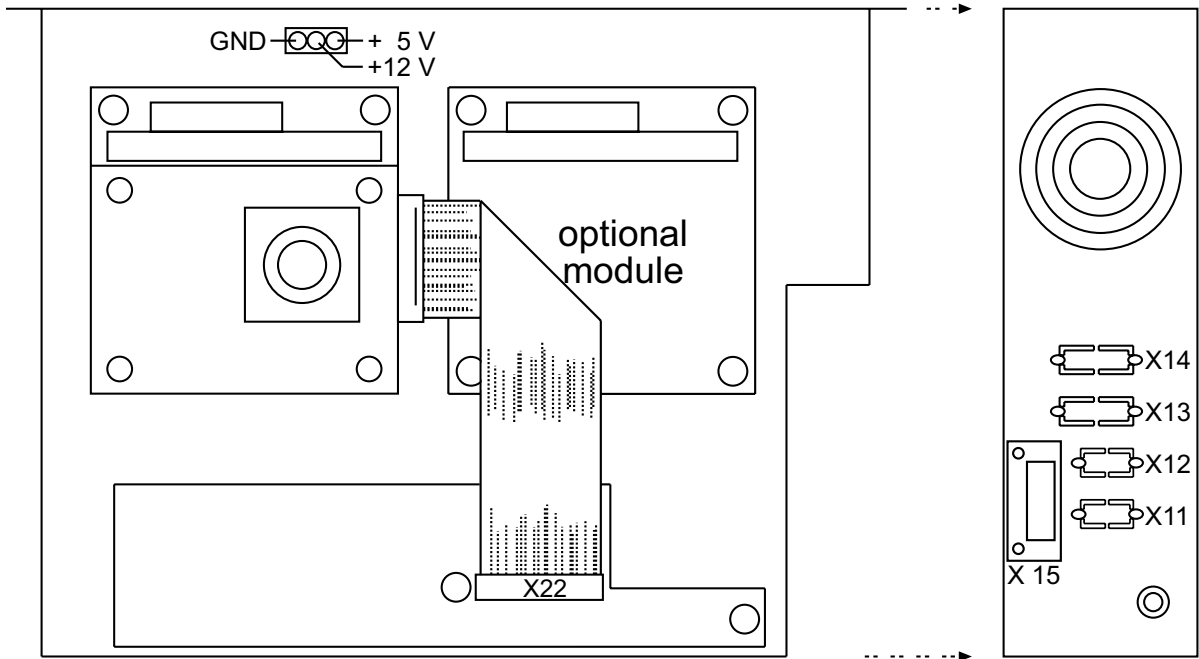


Bild 1: Mx-4 with IDE cable

1.4 Exchange Flash Disk

- Lift up the clamp holding the flash disk.
- Carefully remove flash disk from mount.

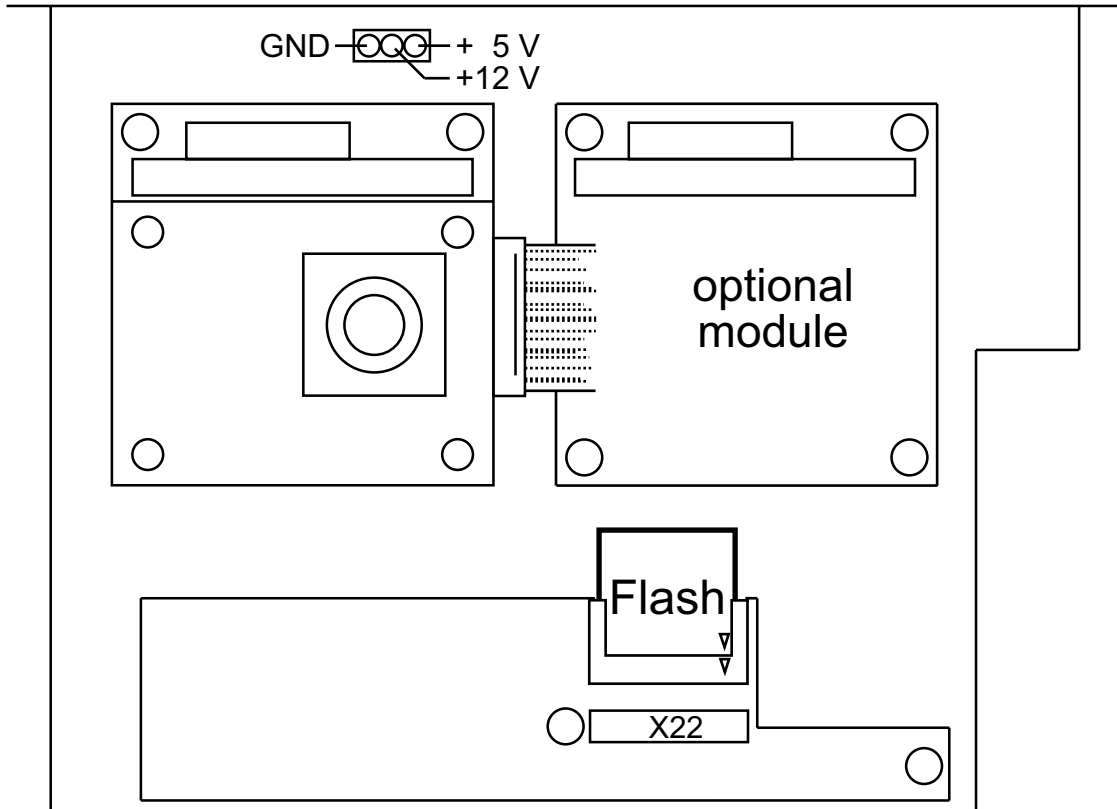


Bild 2: MAx-4 with flash disk base

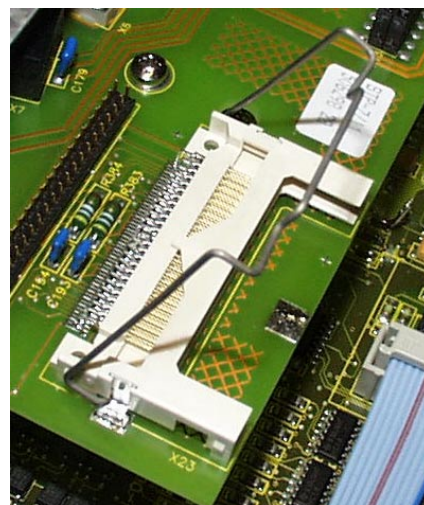
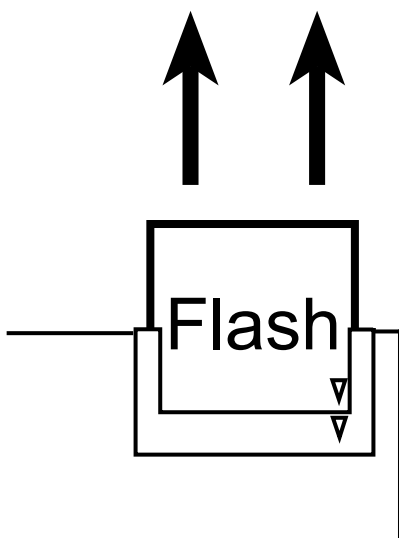


Bild 3: Remove flash disk

empty base

**CAUTION!**

Inexpert insertion of the flash disk will result in material damage!

If the flash disk is inserted incorrectly, both flash disk and base may be damaged!

When inserting the flash disk, make sure that flash disk and base are aligned correctly. This is indicated by a triangle on the flash disk and the base.

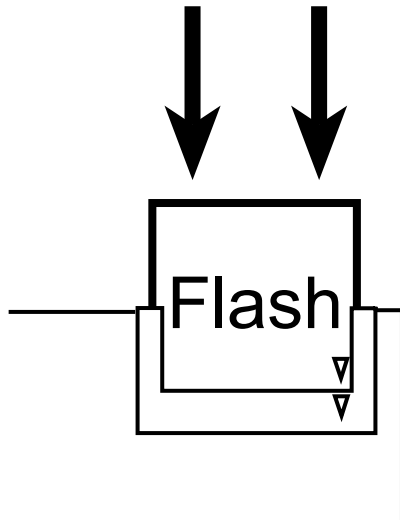


Bild 4: Insert flash disk

- Insert new flash disk.
- Lower clamp on the flash disk.

1.5 Close MAx-4 PacController



CAUTION!

The connector plug may be connected out of place!

Inexpert connection of the IDE cable to X22 may result in material damage! After exchanging the flash disk, the MAx-4 will no longer boot or the *pow* LED will remain off.

When connecting the X22 connector plug, make sure that the pins are not out of place.

- Reconnect IDE cable to X22 of the MAx-4

CAUTION!

Cables may be squeezed when closing the cover of the casing!

Material damage may occur on the PacController and the connected components!

When closing the cover, make sure no cables or fingers are squeezed.

- Replace cover on MAx-4 PacController casing and fix with M3 x 4 screws.
- Reconnect MAx-4 PacController according to machine connection diagram.
- Restart unit.

1.6 Service Addresses

For ordering spare parts

ELAU AG
Postfach 1255
97821 Marktheidenfeld
Phone: 09391 / 606 – 0
Fax: 09391 / 606 – 300

For repair

Please send all components to be repaired or checked, along with the error report, to:

ELAU AG	
Abt. Kundendienst	
postal address:	house address:
Postfach 1255	Dillberg 12
97821 Marktheidenfeld	97828 Marktheidenfeld

Service

If you wish to speak to a member of our service team or require on-site service:

ELAU AG
Abt. Kundendienst / Applikation
Postfach 1255
97821 Marktheidenfeld
Phone: 09391 / 606 – 142